



INSTALLATION MANUAL

ACCESSORY SHELF DOOR

ATTENTION: PLEASE READ AND UNDERSTAND ALL INSTRUCTIONS AND WARNINGS BEFORE ASSEMBLING, INSTALLING OR USING THIS PRODUCT.

WARNING

These instructions are to be followed using the parts and fasteners supplied for proper installation. Any modifications or improper installation of this product will create a hazardous condition that can cause property damage, serious personal injury or death.

– NOTICE –

Any modification or unintended use of this product shall immediately void all manufacturers warranties. Manufacturer disclaims all liability for injuries to persons or property resulting from any modification to, or unintended use of this product.

Approximate Assembly and Installation Time:

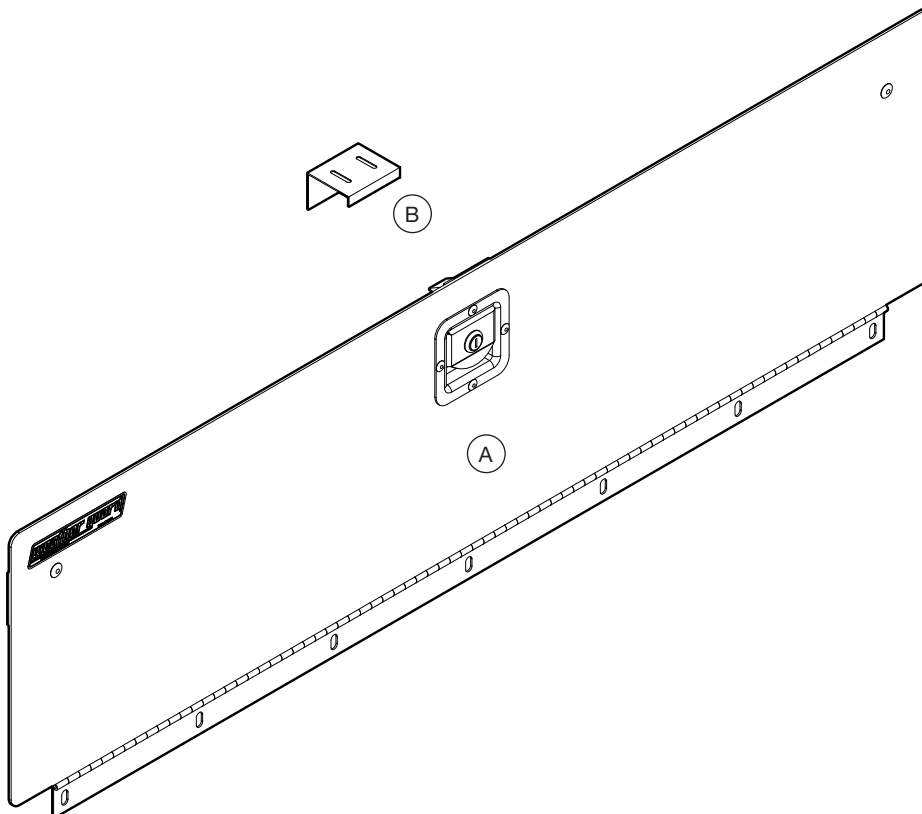
20 min. (.3 hours) depending on van equipment installation experience.

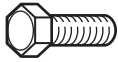
PARTS

Item	Qty.	Description
A	1	Door Assembly
B	1	Latch Plate
	1	Bolt Kit #32-0168

TOOLS REQUIRED

- Ruler
- Open End Wrenches: (2) 7/16"





Qty. Product
15 1/4-20 x 5/8" Hex Head Bolts



Qty. Product
15 1/4-20 Nylon Lock Nuts

KNAACK LLC LIMITED WARRANTY

This LIMITED WARRANTY is made by Knaack LLC, 420 E. Terra Cotta Ave., Crystal Lake, Illinois to the original retail purchaser of KNAACK® Products.

KNAACK LLC WARRANTS THAT KNAACK PRODUCTS WILL BE FREE FROM DEFECTS IN MATERIAL AND WORKMANSHIP FOR A PERIOD OF THREE (3) YEARS FROM DATE OF PURCHASE BY THE ORIGINAL RETAIL PURCHASER.

If, before the expiration of the Warranty period, purchaser discovers that the KNAACK Product fails to fulfill the Warranty, purchaser shall contact Knaack LLC to make arrangements for an inspection of the product. If Knaack LLC determines a defect exists, Knaack LLC shall, at its option and expense, repair or replace any defective part. All Warranty repairs shall be made by an authorized KNAACK Product dealer or Knaack LLC approved service company.

This Warranty shall not apply if the KNAACK Product has been subjected to misuse, abnormal service or handling, improper maintenance, or alterations made by anyone other than a KNAACK Product dealer or a Knaack LLC approved service company.

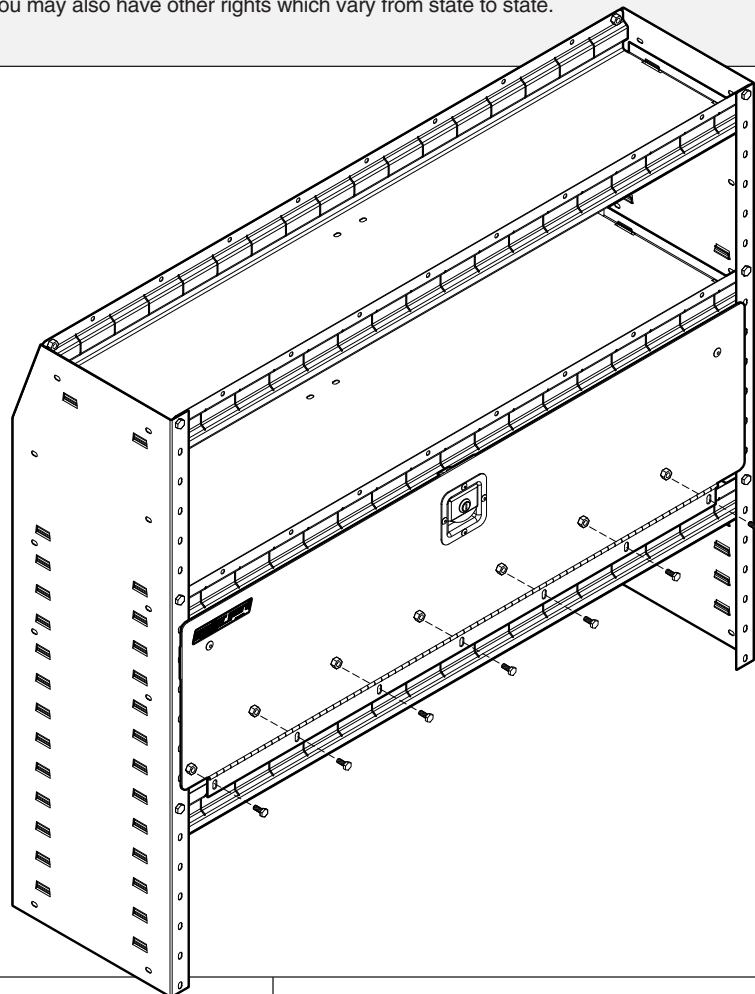
THE WARRANTY PRINTED ABOVE IS THE ONLY WARRANTY APPLICABLE TO THIS PURCHASE. ALL OTHER WARRANTIES, EXPRESS OR IMPLIED, INCLUDING BUT NOT LIMITED TO THE IMPLIED WARRANTIES OF MERCHANTABILITY AND FITNESS FOR A PARTICULAR PURPOSE ARE HEREBY DISCLAIMED.

KNAACK LLC SHALL NOT BE LIABLE FOR ANY INCIDENTAL OR CONSEQUENTIAL DAMAGES ARISING OUT OF ANY BREACH OF THIS WARRANTY. NOR SHALL THE DAMAGES EXCEED THE RETURN AMOUNT OF THE PURCHASE PRICE PAID BY THE ORIGINAL PURCHASER.

This Warranty is in lieu of all Warranties express or implied. The terms of this Warranty shall not be modified by any party, their successors or assigns. This Warranty gives you specific legal rights, and you may also have other rights which vary from state to state.

- 1 Determine Shelf Door Assembly location on Shelf Unit. Shelves need to be spaced seven (7) End Panel holes apart (bolt to bolt) for the door to fit correctly.

Place Door Assembly against the opening between shelves and fasten hinge to the row of shelf holes using one (1) 1/4-20 x 5/8" Hex Head Bolts and 1/4-20 Nylon Lock Nuts per hole in hinge. The length of the Shelf Door Assembly will determine the number of fasteners used.



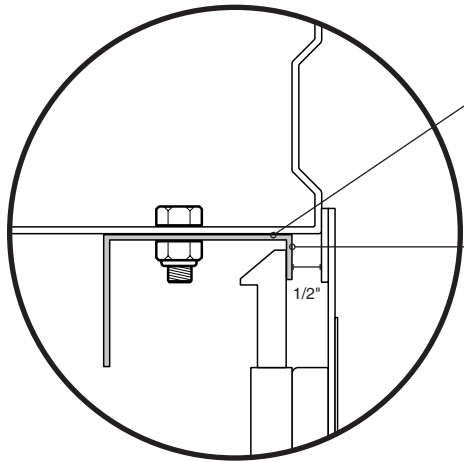
2 DOOR ASSEMBLY INSTALL OPTIONS.

Standard Van Shelf Installation (with bends up).

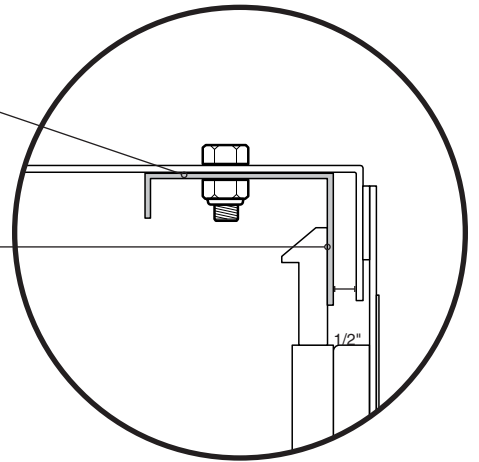
Fasten the Latch Plate to the bottom of the shelf 1/2" in from the front of the shelf using two (2) 1/4-20 x 5/8" Hex Head Bolts and 1/4-20 Nylon Lock Nuts. Close the Door. If the door doesn't latch, or is too loose when latched, adjust the latch plate in or out until the Door latches properly.

Flat Shelf and Welded Shelf Installation (with bends down).

If installing the Door on a Flat Shelf or Welded Shelf with the shelf flanges facing down, it will be necessary to mount the Latch Plate with the long bend facing front. Fasten the Latch Plate to the bottom of the shelf 1/2" in from the front of the shelf using two (2) 1/4-20 x 5/8" Hex Head Bolts and 1/4-20 Nylon Lock Nuts. Close the Door. If the door doesn't latch, or is too loose when latched, adjust the latch plate in or out until the Door latches properly.



Latch Plate installed with short leg to the front of the unit

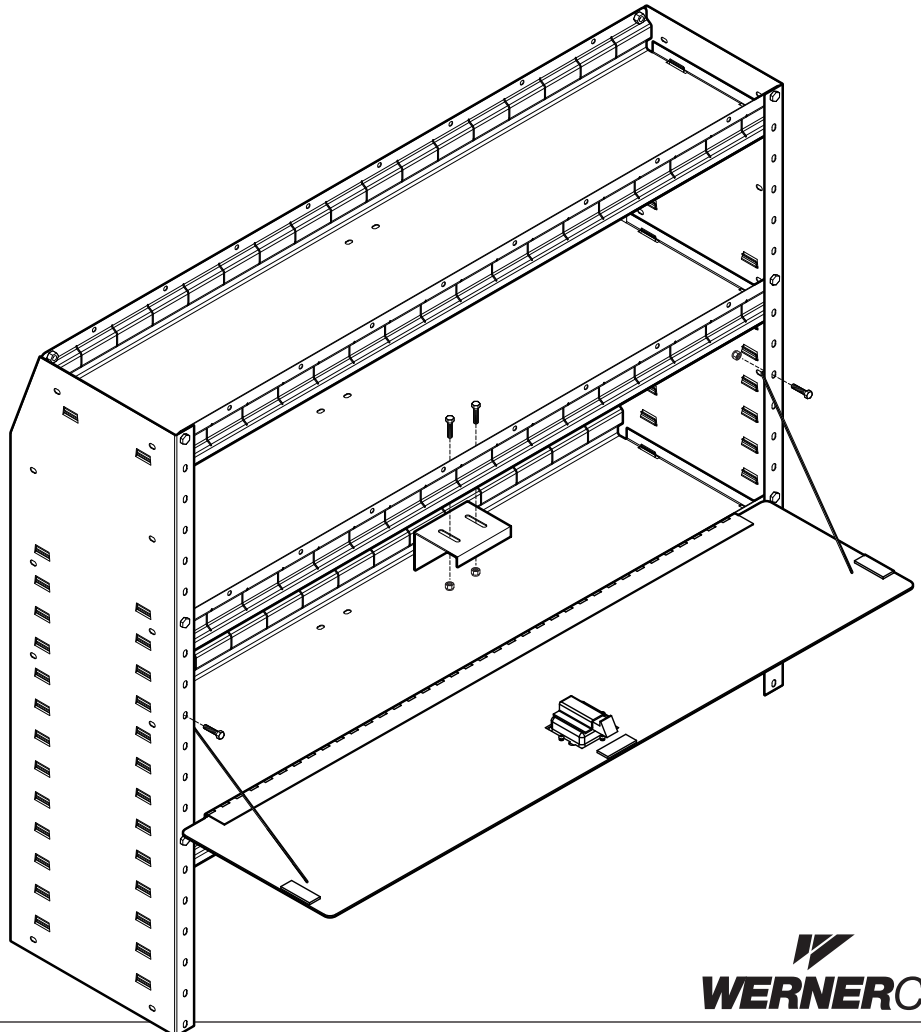


Latch Plate installed with long leg to the front of the unit

1/2" front of shelf to front of Latch Plate

Count four holes up from hinge and attach cables from door panel to the inside of the End Panel flange using two (2) 1/4-20 x 5/8" Hex Head Bolts and 1/4-20 Nylon Lock Nuts. This will create a 90° angle when door is down.

INSTALLATION IS NOW COMPLETE.



WERNERCO™

WEATHER GUARD® products are protected by one or more of the following trademarks: U.S. 842268, 1661625, 1663369, 2228051, 2362167; Canada - 282725; U.K. - 1400720; N.Z. - 296049; Aus. - 761964