



VAN STORAGE SOLUTIONS
FOR THE WAY YOU WORK™

INSTALLATION MANUAL

BULKHEAD HINGE KIT

WWW.WEATHERGUARD.COM

ATTENTION: PLEASE READ AND UNDERSTAND ALL INSTRUCTIONS AND WARNINGS BEFORE ASSEMBLING, INSTALLING OR USING THIS PRODUCT.

! PLAN YOUR VAN (TIPS FOR FASTER INSTALLATION)

- Installing your WEATHER GUARD® Bulkhead is very clear cut following these instructions.
- Before cutting or drilling in the floor, verify the location of you gas tank, fuel lines and electrical cables so you don't accidentally cut something important.
- Make sure that the blind fasteners go directly into the sheet-metal floor and not through a floor mat. Cut clearance holes for fasteners and spacers. Always wear eye protection when drilling or cutting.

INSTALLATION TIME

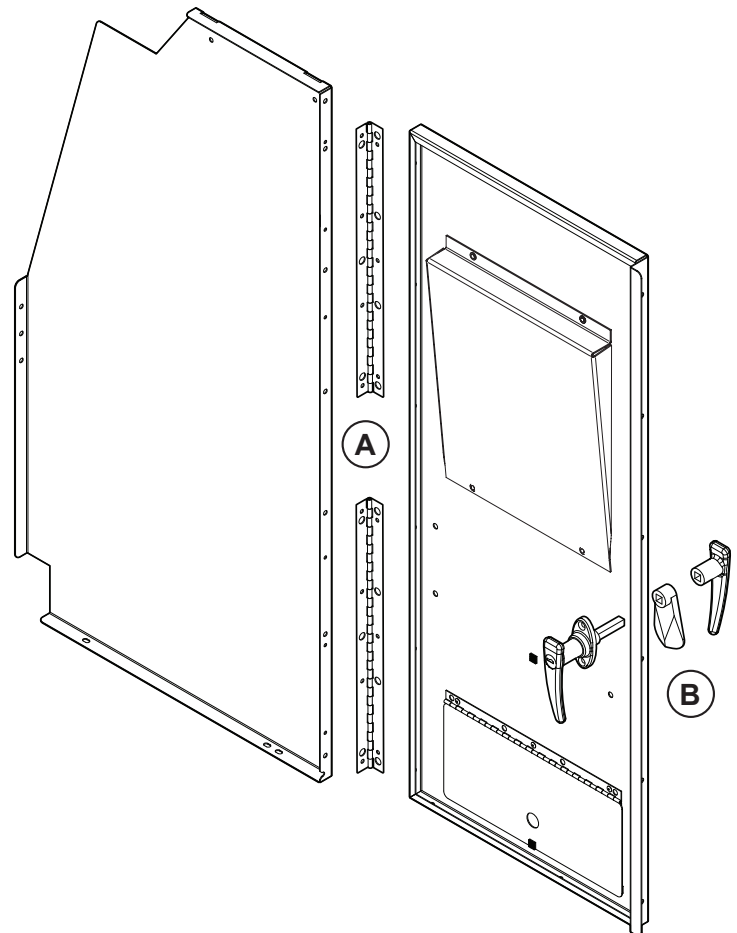
Approximate installation time: 15 minutes per unit depending on van equipment installation experience.

TOOLS REQUIRED

- Phillips Head Screwdriver
- 3/8" Ratchet Drive
- Sockets: 5/16", 11/32", 7/16"
- Open End Wrenchs: 11/32", 3/8"

PARTS LIST

| Part No. | Quantity | Description |
|----------|----------|----------------------|
| A | 1 | Door Handle Assembly |
| B | 2 | Hinges |
| C | 1 | 9" Weatherstripping |
| D | 1 | Bolt Kit |



INSTALLATION INSTRUCTIONS

STEP 1: Attach Hinges to Driver Side Panel using six (6) #8-32 x 1/2" Machine Screws and #8-32 Nylon Lock Nuts from the bolt kit supplied.

NOTE: Not all mounting holes will be used on the vertical sides of either of the panels. Extra mounting holes are for the non-swing door option for this Bulkhead.

STEP 2: Attach Center Door Panel to Hinge/Driver Panel using eight (8) #8-32 x 1/2" Machine Screws and #8-32 Nylon Lock Nuts from the bolt kit supplied with the 86555 Hinge Kit.

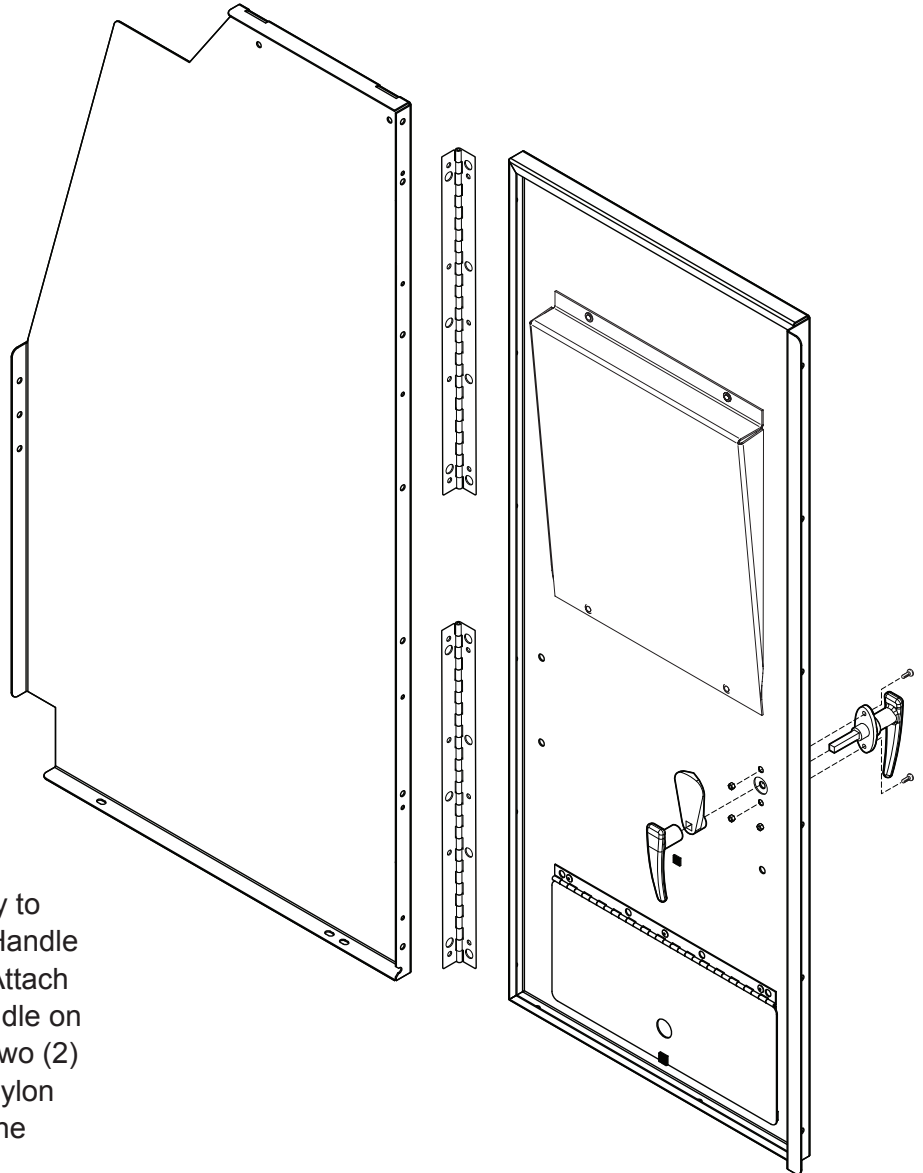
NOTE: The tops of the Driver Side Panel and the Center Door Panel should be even (flush) and the bottoms will be uneven.

STEP 3: Cut Weatherstripping into three (3) 3" sections. Remove adhesive backing and affix to channel at top, bottom and above door latch cut-out on driver's side of door.

NOTE: Not all mounting holes will be used on the vertical sides of either of the panels. Extra mounting holes are for the non-swing door option available for this Bulkhead.

STEP 4: Attach the Door Handle Assembly to the Center Panel by passing the Locking Handle through the opening in the Center Panel. Attach the Cam Paddle and the Non-Locking Handle on the other side of the Center Panel. Using two (2) 10-24 x 3/4" Machine Screws and 10-24 Nylon Lock Nuts (from the bolt kit supplied with the 86555 Hinge Kit).

STEP 5: Adjust Cam on Handle Assembly so it rests on the rear edge of the slot in the Passenger Side Panel. In this position, tighten the Allen Head Set Screw with the Allen wrench provided.



! WARNING

This product can reduce the driver's ability to clearly see roadways, vehicular or pedestrian traffic and other objects through the rear and side windows of the vehicle, which can cause an accident. Extra precautions should be taken when driving a vehicle with this product. Make all adjustments necessary to ensure maximum visibility, including but not limited to, changing mirror and seating positions. State and local laws may prohibit obstruction of windows in a moving vehicle.

These instructions are to be followed using the parts and fasteners supplied for proper installation. Any modifications or improper installation of this product will create a hazardous condition that could result in death, serious personal injury and/or property damage.

! CAUTION

Prior to drilling, so as not to cut electric wires, fuel lines, brake lines, etc., check behind and underneath drilling and mounting locations. To keep debris out of your eyes when checking the underside of the vehicle, or when drilling, always wear protective eye wear. Failure to heed this warning will result in death or serious injury.

– NOTICE –

Any modification or unintended use of this product shall immediately void all manufacturers warranties. Manufacturer disclaims all liability for injuries to persons or property resulting from any modification to, or unintended use of this product.

KNAACK LLC LIMITED LIFETIME WARRANTY FOR WEATHER GUARD® PRODUCTS

WEATHER GUARD® Products — Limited Lifetime Warranty
(Purchased on or after 1/1/2009)

Knaack LLC (the "Manufacturer") warrants to the original purchaser only that WEATHER GUARD® Truck and Van Products (the "WEATHER GUARD® Product") will be free from defects in material and workmanship from the date of purchase and continuing for the expected lifetime of the WEATHER GUARD® Product. A copy of the original sales receipt must be supplied to the Manufacturer at the time a warranty claim is made. This warranty terminates if the original purchaser transfers the WEATHER GUARD® Product to any other person.

What is Covered

All WEATHER GUARD® Products identified above that are purchased on or after January 1, 2009.

What We Will Do to Correct Problems

Subject to the limitations and exclusions described in this limited warranty, the Manufacturer will remedy defects in materials or workmanship by providing one of the following remedies at its option and without charge to the original purchaser for parts or labor: (a) repairing the defective portion of the WEATHER GUARD® Product or (b) replacing the entire WEATHER GUARD® Product. In addition, the manufacturer may elect at its option, not to repair or replace the WEATHER GUARD® Product, but rather issue to the original purchaser a refund equal to the purchase price paid for the WEATHER GUARD® Product or a credit to be used toward the purchase of new WEATHER GUARD® Product.

What is Not Covered

This limited warranty expressly excludes:

- Defects caused by normal wear and tear, cosmetic rust, scratches, accidents, unlawful vehicle operation, or modification to the product, or any types or repair of a WEATHER GUARD® Product other than those authorized or provided by the Manufacturer.
- Defects resulting from conditions beyond the Manufacturer's control including, but not limited to misuse, overloading, or failure to assemble, mount or use the WEATHER GUARD® Product in accordance with the Manufacturer's written instructions or guidelines included with the WEATHER GUARD® Product or made available to the original purchaser.
- Damage to the contents of the box or vehicle.
- TO THE EXTENT PERMITTED BY LAW, IN NO EVENT SHALL THE MANUFACTURER BE LIABLE FOR ANY INCIDENTAL, SPECIAL, INDIRECT, OR CONSEQUENTIAL DAMAGES, INCLUDING ANY ECONOMIC LOSS, WHETHER RESULTING FROM NONPERFORMANCE, USE, MISUSE OR INABILITY TO USE THE WEATHER GUARD® PRODUCT OR THE MANUFACTURER'S NEGLIGENCE.

No Other Express Warranty Applies

This Limited Lifetime Warranty is the sole and exclusive warranty for WEATHER GUARD® products. No employee, agent, dealer, or other person is authorized to alter this warranty or make any other warranty on behalf of Knaack LLC.

Notification Procedures

If the WEATHER GUARD® Product does not conform with the terms of this limited warranty, the original owner must promptly notify the Manufacturer in writing upon discovery of the nonconformity. In order to receive the remedies under this limited warranty, the warranty claim must describe the nature of the nonconformity, and a copy of the original sales receipt, invoice, bill or other proof of purchase must accompany the claim. Repairs or modifications made to the WEATHER GUARD® Product by other than the Manufacturer or its authorized agent will nullify this limited warranty. Coverage under this limited warranty is conditioned at all times upon the owner's compliance with these required notification and repair procedures. Warranty claims must include reciprocal contact information and may be made via certified mail to:

Knaack LLC
ATTN: Warranty Claims
420 E. Terra Cotta Avenue Crystal Lake, IL 60014

If you have any questions, please call toll free at 1-800-456-7865.
©2013 Knaack LLC

