



VAN STORAGE SOLUTIONS

FOR THE WAY YOU WORK™

INSTALLATION MANUAL

**Models 96111-3-02 & 96511-3-02
Bulkheads for 2014 and Later
Ford Transit Connect Vans**

ATTENTION: PLEASE READ AND UNDERSTAND ALL INSTRUCTIONS AND WARNINGS BEFORE ASSEMBLING, INSTALLING OR USING THIS PRODUCT.

This “-02” bulkhead is only intended for a 2014 model year and later Ford Transit Connect Vans. If you have a 2013 or earlier Transit Connect van, a different bulkhead (either an 96111-3-01 or 96511-3-01) must be used.

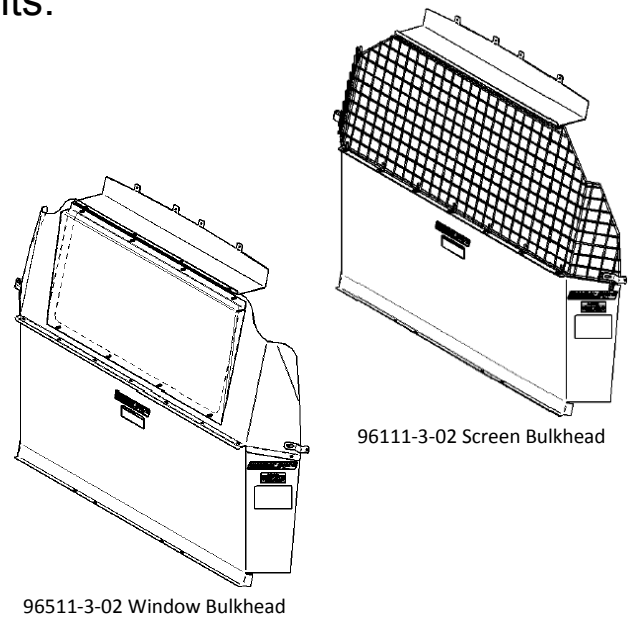


PLAN YOUR VAN (TIPS FOR FASTER INSTALLATION)

Before drilling into the van, check for electrical wiring and air-bag system components.

HARDWARE KIT

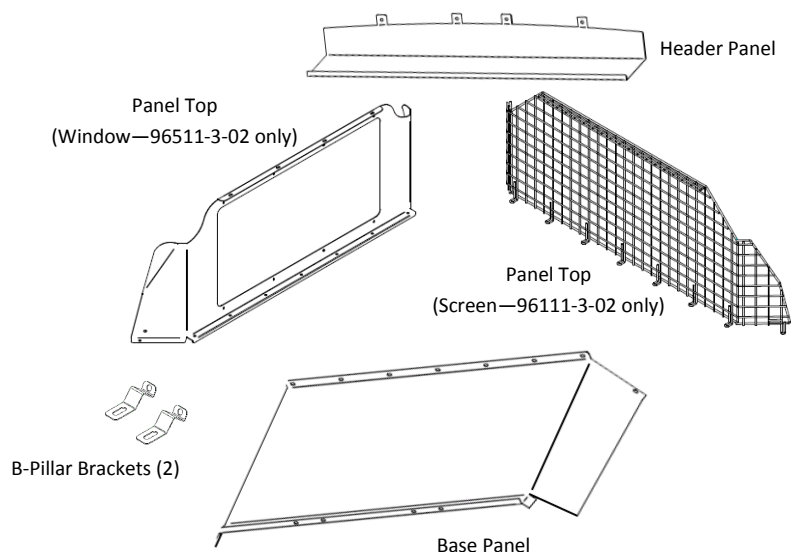
Description	Qty.	
1/4-20 x 3/4" Bolts	15	
1/4" Flat Washers	21	
1/4-20 Nylon Lock Nuts	15	
1/4-20 x 2-1/4" Black Bolt	1	
Blind Fastener Installation Tool	1	
1/4-20 Blind Fasteners	4	
3/4" Floor Mounting Spacers	4	
1/4-14 Self-Tapping Screws	6	
1/4-20 x 1-1/2" Bolts	4	
1/4" Lock Washers	4	



TOOLS REQUIRED

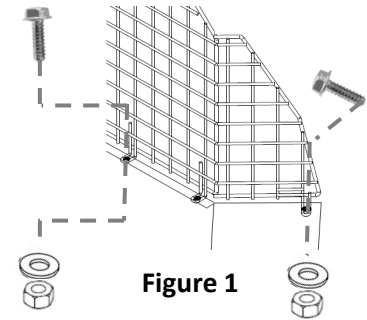
- 3/8" and 7/16" Sockets
- Electric Drill/Driver
- Ratchet Handle
- 7/16" Wrench
- 9/16" Wrench
- Floor Hole Locator Template (page 3)
- Marker
- 1/8" Drill Bit
- 3/8" Drill Bit
- 1-1/8" Hole Saw
- Utility Knife

PARTS LIST



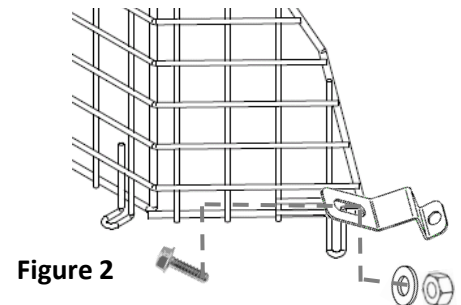
STEP 1. Assemble Bulkhead

Bolt panel top to base panel using nine each 1/4-20 3/4" bolts, 1/4" flat washers and 1/4-20 nylon lock nuts as shown in figure 1. For the purposes of this instruction sheet, the screen version of the bulkhead will be shown but the window version of the bulkhead installs in the same manner.



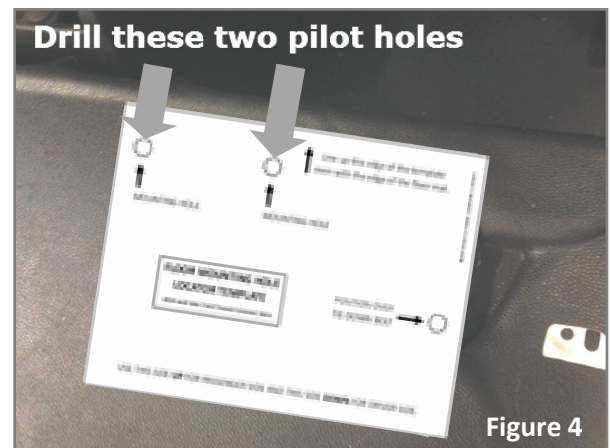
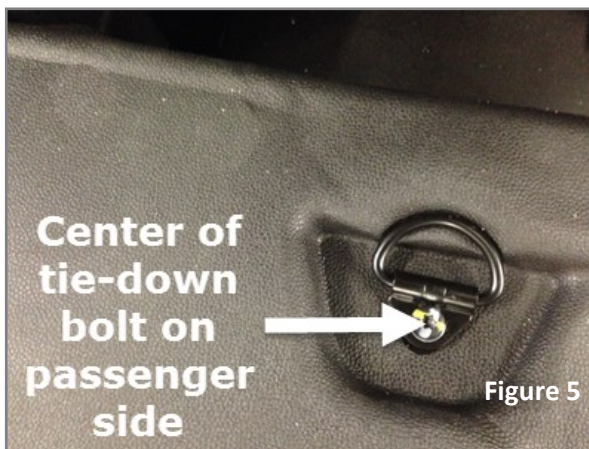
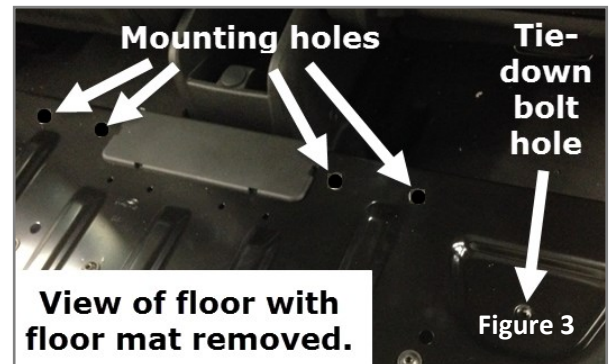
STEP 2. Loosely Assemble B-Pillar Brackets to the Panel Top

Loosely bolt a B-pillar bracket to each side of the panel top to base panel using two each 1/4-20 3/4" bolts, 1/4" flat washers and 1/4-20 nylon lock nuts as shown in figure 2. Do not tighten the hardware at this time.



STEP 3. Locate Existing Mounting Holes in Floor of Van

The four mounting holes at the bottom of the base panel line up with four pre-punched holes in the floor of the Transit Connect located directly behind the seats and under the floor mat (see figure 3). Position the floor hole locator template (page 3 of these instructions) as shown in figure 4 using the front edge of the floor and the center of the tie-down bolt (see figure 5) as reference points on either side. Mark the hole locations on the floor mat and then drill a 1/8" pilot hole to confirm the exact location for each of the four holes.



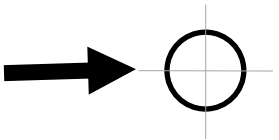
STEP 4. Drill 1-1/8" Holes in the Floor Pad Directly Above the Four Floor Mounting Holes

With the hole saw and using the pilot holes drilled in step 3, drill a 1-1/8" hole in the floor pad directly above each of the four floor mounting holes. See figure 6.

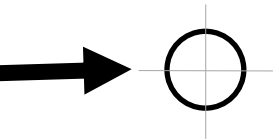
Be careful not to drill through the van floor with the hole saw!



Line up this edge of the template parallel
with the edge of the floor mat.

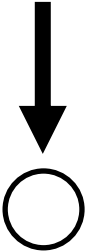


MOUNTING HOLE



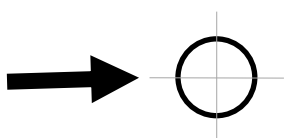
MOUNTING HOLE

**FLOOR MOUNTING HOLE
LOCATOR TEMPLATE**
2014 and later Ford Transit Connect Vans

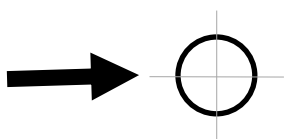
CENTER OVER
TIE-DOWN BOLT 

USE THIS SIDE OF THE PAGE FOR THE **PASSENGER SIDE** OF THE VAN

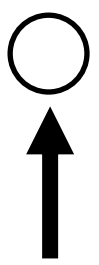
Line up this edge of the template parallel
with the edge of the floor mat.



MOUNTING HOLE



MOUNTING HOLE



CENTER OVER
TIE-DOWN BOLT

**FLOOR MOUNTING HOLE
LOCATOR TEMPLATE**
2014 and later Ford Transit Connect Vans

USE THIS SIDE OF THE PAGE FOR THE DRIVER SIDE OF THE VAN

STEP 5. Install Blind Fasteners and Spacers in Floor of Van

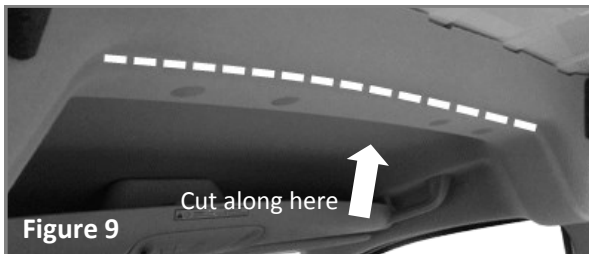
Widen the existing four floor mounting holes by drilling them with a 3/8" drill bit. Install a blind fastener in each of these holes following the **instructions on page 5**. Position a 3/4" floor spacer on top of each installed blind fastener.

STEP 6. Attach Bulkhead in Van

Position the bulkhead in the van with the decals facing the rear of the van. Using two each 1/4-14 self-tapping screws and 1/4" flat washers, attach the B-pillar brackets on either side to the B-pillar of the van through the existing holes punched into the B-pillar (see figures 7 & 8). The hardware attaching the B-pillar brackets to the bulkhead should remain loose at this time. Secure the bottom of the bulkhead to the van floor using four each 1/4-20 1-1/2" bolts and 1/4" lock washers into the blind fasteners (see figure 7).

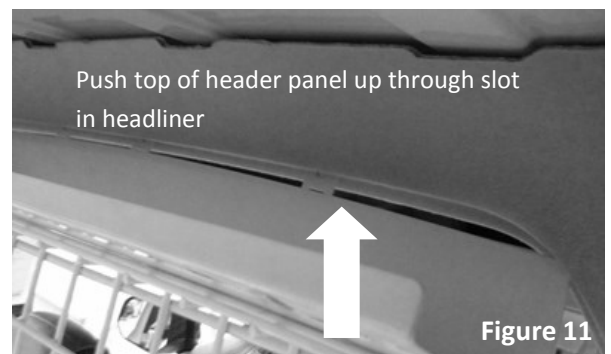
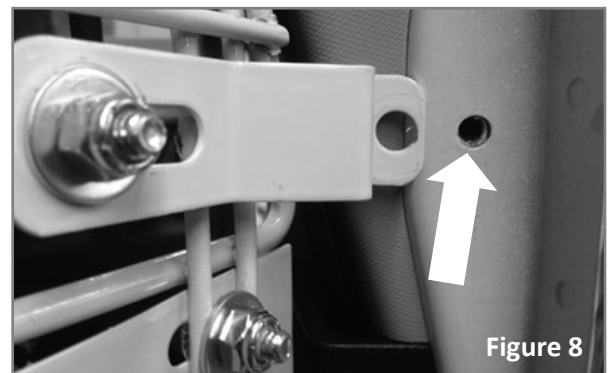
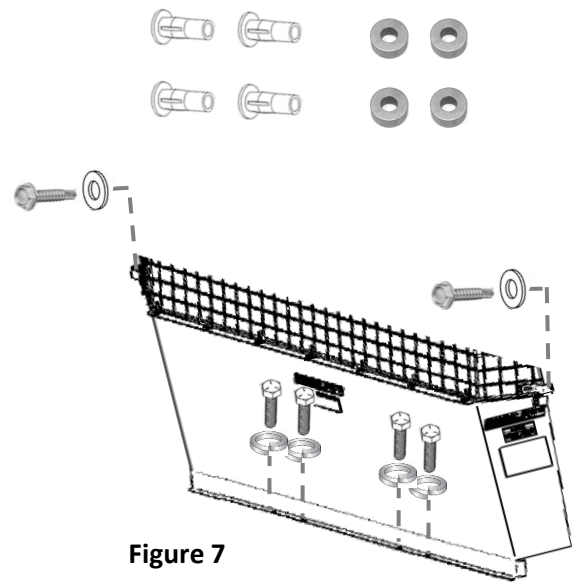
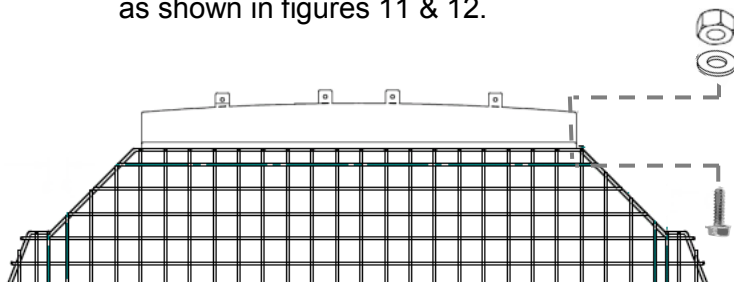
STEP 7. Cut a Slot in the Headliner to Accommodate the Header Panel

Using a utility knife, cut a slot along the headliner ridge as shown in figures 9 and 10. The slot should be centered left-to-right and just long enough to allow the top part of the header panel to slip above the liner and attach to the roof rib in the van.



STEP 8. Position Header Panel to Panel Top and Loosely Bolt on Place

Slip the top of the header panel through the slot in the headliner and then loosely bolt the header panel to the panel top using four each 1/4-20 x 3/4" bolts, 1/4" flat washers and 1/4-20 nylon lock nuts as shown in figures 11 & 12.



STEP 9. Attach Header Panel to Roof Rib

See figure 13. Pull down slightly on the rear edge of the headliner in order to give you access to the van's roof rib and then, using a drill/driver, attach the header panel to the roof rib through the four tabs using four each 1/4-14 self-tapping screws and 1/4" flat washers .

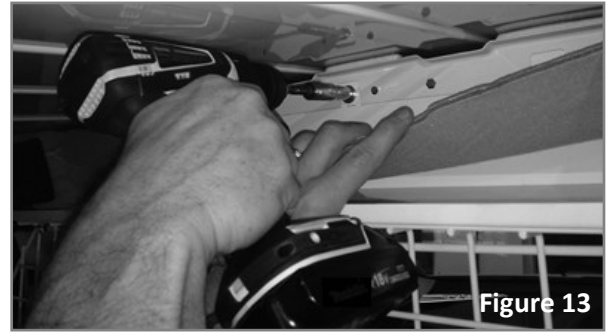
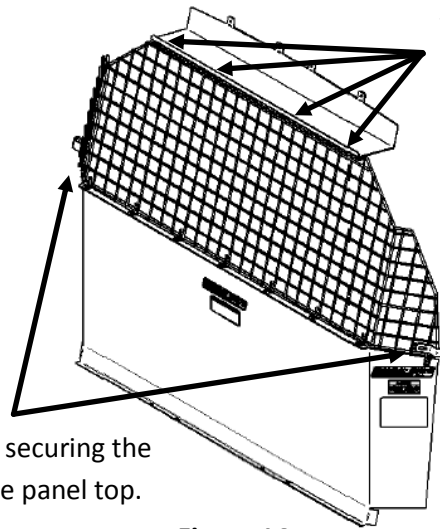


Figure 13

STEP 10. Tighten Loose Hardware

Tighten the loose hardware from the header panel to the panel top and from the B-pillar brackets to the bulkhead on both sides of the van.



Tighten the four bolts securing the header panel to the panel top.

Tighten the two bolts securing the B-pillar brackets to the panel top.

Figure 14

<p>Black Oxide Bolt</p> <p>Flat Washer</p> <p>9/16 Wrench</p> <p>Installation Tool</p> <p>Blind Fastener</p>	<h2 style="text-align: center;">INSTALLATION PROCEDURE FOR BLIND FASTENERS</h2> <p>Before drilling for blind fasteners, check to make sure that you won't be damaging wiring, fuel lines, brake lines or other critical vehicle systems.</p> <p>Place a drop of oil on the threads of the black oxide bolt before assembling as shown on left.</p> <p>Place the blind fastener in the mounting hole until just the top head of the blind fastener is visible above the sheet metal of the vehicle. Use a 7/16" socket driver to tighten the black oxide bolt until the blind fastener is fully seated.</p> <p>The first few turns of the black oxide bolt will require some force but as the blind fastener "bulbs" out under the sheet metal it will get easier until the blind fastener bottoms out or sets.</p> <p>The 9/16" wrench and installation tool will make sure that the blind fastener does not turn during the installation.</p>
--	--

WARNING

This product is only intended and safe for use in storing and transporting small tools, equipment and other similar materials. These instructions are to be followed using the parts and fasteners supplied for proper installation. Any modifications or improper installation of this product will create a hazardous condition that could result in death, serious personal injury and/or property damage.

All floor mounting bolts near the fuel tank area should be installed from the underside of the vehicle, to guard against the fuel tank being punctured in the event of a collision. This would mean not using Blind Fasteners in this area. Holes in this area should be 5/16". Ensure ample space in roof ribs and sidewall ribs for mounting screws so as not to puncture exterior roof or wall.

Do not install this product where it could interfere with deployment of air bags. Failure to comply could result in death or serious body injury.

- NOTICE -

Any modification or unintended use of this product shall immediately void all manufacturers warranties. Manufacturer disclaims all liability for injuries to persons or property resulting from any modification to, or unintended use of this product.

KNAACK LLC LIMITED LIFETIME WARRANTY FOR WEATHER GUARD® PRODUCTS

WEATHER GUARD® Products — Limited Lifetime Warranty (Purchased on or after 1/1/2009)

Knaack LLC (the "Manufacturer") warrants to the original purchaser only that WEATHER GUARD® Truck and Van Products (the "WEATHER GUARD® Product") will be free from defects in material and workmanship from the date of purchase and continuing for the expected lifetime of the WEATHER GUARD® Product. A copy of the original sales receipt must be supplied to the Manufacturer at the time a warranty claim is made. This warranty terminates if the original purchaser transfers the WEATHER GUARD® Product to any other person.

What is Covered

All WEATHER GUARD® Products identified above that are purchased on or after January 1, 2009.

What We Will Do to Correct Problems

Subject to the limitations and exclusions described in this limited warranty, the Manufacturer will remedy defects in materials or workmanship by providing one of the following remedies at its option and without charge to the original purchaser for parts or labor: (a) repairing the defective portion of the WEATHER GUARD® Product or (b) replacing the entire WEATHER GUARD® Product. In addition, the manufacturer may elect at its option, not to repair or replace the WEATHER GUARD® Product, but rather issue to the original purchaser a refund equal to the purchase price paid for the WEATHER GUARD® Product or a credit to be used toward the purchase of new WEATHER GUARD® Product.

What is Not Covered

This limited warranty expressly excludes:

- Defects caused by normal wear and tear, cosmetic rust, scratches, accidents, unlawful vehicle operation, or modification to the product, or any types or repair of a WEATHER GUARD® Product other than those authorized or provided by the Manufacturer.
- Defects resulting from conditions beyond the Manufacturer's control including, but not limited to misuse, overloading, or failure to assemble, mount or use the WEATHER GUARD® Product in accordance with the Manufacturer's written instructions or guidelines included with the WEATHER GUARD® Product or made available to the original purchaser.
- Damage to the contents of the box or vehicle.
- TO THE EXTENT PERMITTED BY LAW, IN NO EVENT SHALL THE MANUFACTURER BE LIABLE FOR ANY INCIDENTAL, SPECIAL, INDIRECT, OR CONSEQUENTIAL DAMAGES, INCLUDING ANY ECONOMIC LOSS, WHETHER RESULTING FROM NON-PERFORMANCE, USE, MISUSE OR INABILITY TO USE THE WEATHER GUARD® PRODUCT OR THE MANUFACTURER'S NEGLIGENCE.

No Other Express Warranty Applies

This Limited Lifetime Warranty is the sole and exclusive warranty for WEATHER GUARD® Products. No employee, agent, dealer, or other person is authorized to alter this warranty or make any other warranty on behalf of Knaack LLC.

Notification Procedures

If the WEATHER GUARD® Product does not conform with the terms of this limited warranty, the original owner must promptly notify the Manufacturer in writing upon discovery of the nonconformity. In order to receive the remedies under this limited warranty, the warranty claim must describe the nature of the nonconformity, and a copy of the original sales receipt, invoice, bill or other proof of purchase must accompany the claim. Repairs or modifications made to the WEATHER GUARD® Product by other than the Manufacturer or its authorized agent will nullify this limited warranty. Coverage under this limited warranty is conditioned at all times upon the owner's compliance with these required notification and repair procedures. Warranty claims must include reciprocal contact information and may be made via certified mail to:

Knaack LLC ATTN: Warranty Claims

420 E. Terra Cotta Avenue Crystal Lake, IL 60014

If you have any questions, please call toll free at 1-800-456-7865.

©2015 Knaack LLC

