

INSTALLATION INSTRUCTIONS

Model 8868 Wire Spool Rack

Approximate Installation Time:
24 min. per unit (0.4 hrs.)
Depending on van equipment
installation experience.

IMPORTANT BEFORE YOU BEGIN

Read these instructions and
warnings completely before
installing.

BOLT KIT

Bolt Kit #32-8868 has been pro-
vided with your rack. Check this
bolt kit to be sure the following
parts are included:

Quan.	Description
4	5/16-18 Nylon Lock Nut
8	5/16" Flat Washer
1	5/16-18 Blind Fastener
1	5/16-18 x 1-1/4" Black Oxide Bolt
4	5/16-18 x 1-1/4" Hex Hd. Bolt
1	5/16" Lock Washer
1	Installation Tool
2	Floor Mounting Spacers

PARTS LIST

- 1- 8868 Spool Rack
- 1- Bolt Kit
- 2- Spindles

TOOLS REQUIRED

- Electric Drill
- 3/8" & 1/2" Drill Bits
- 1/2" Wrenches (2)

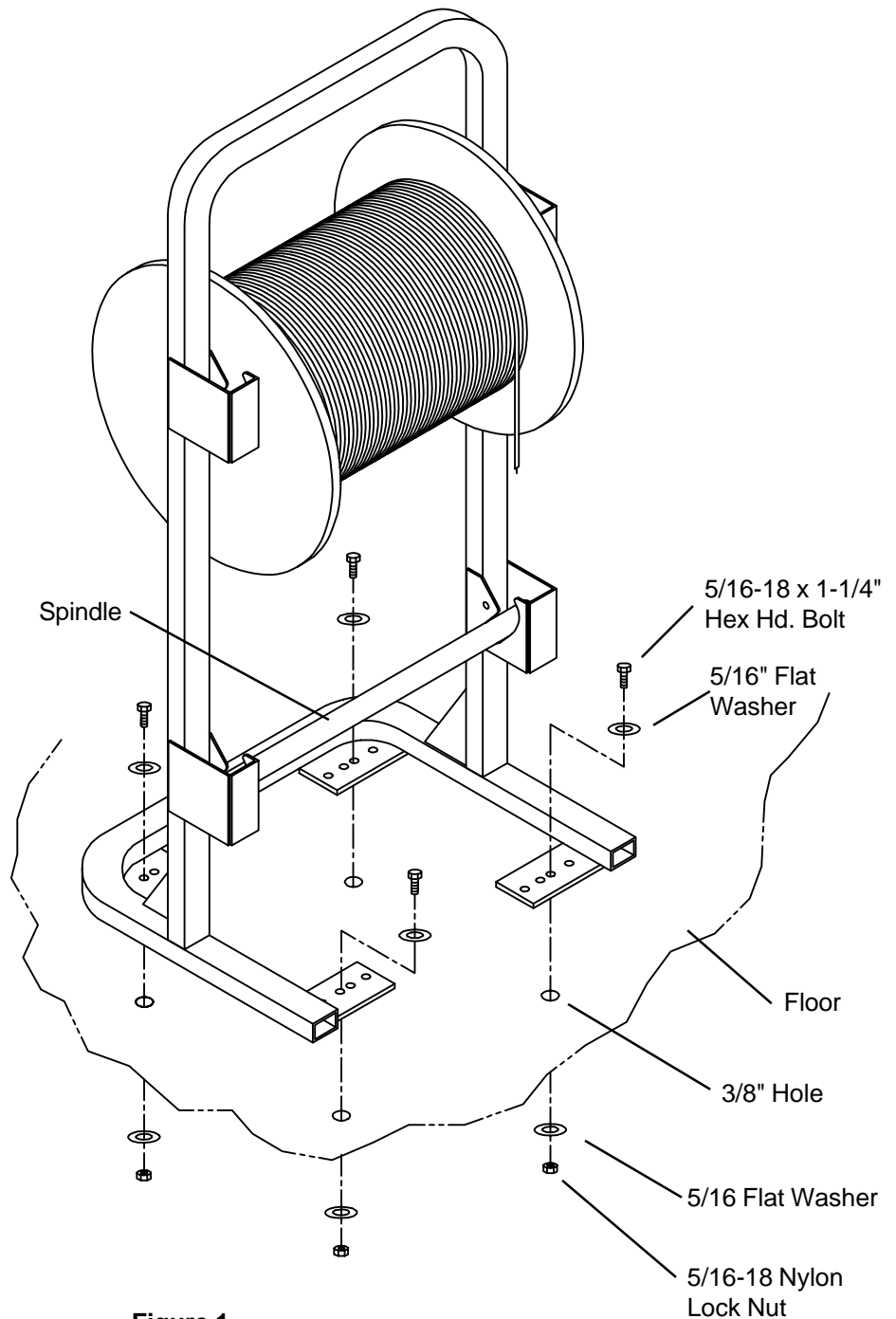


Figure 1.
Typical Mounting

INSTALLATION INSTRUCTIONS

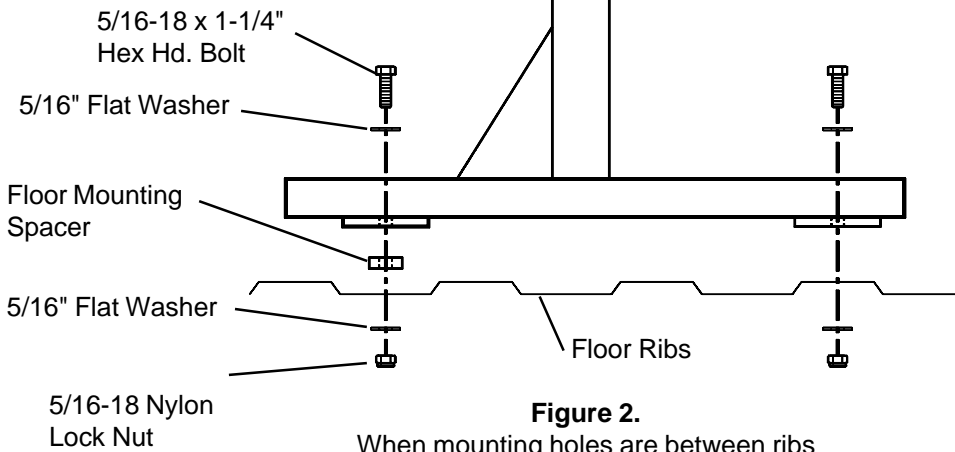
1. Place the Wire Spool Rack in the desired position and mark the hole locations, choosing mounting holes that line up on top of ribs. If one set of holes do not line up with top of ribs, Floor Mounting Spacers should be used between ribs. (See Figure 2.)

⚠ CAUTION

To keep debris out of your eyes when checking the underside of the vehicle, or when drilling, always wear protective eyewear.

⚠ WARNING

Prior to drilling, so as not to cut or puncture fuel tanks, fuel lines, brake lines, electric wires, etc., check under vehicle for locations.



⚠ WARNING

All floor mounting bolts near the gas tank area should be installed from the underside of the vehicle, to guard against the gas tank being punctured in the event of a collision. Do not use Blind Fastener in this area.

2. Drill hole locations.

Note: To prevent rust from occurring, touch-up any drilled holes.

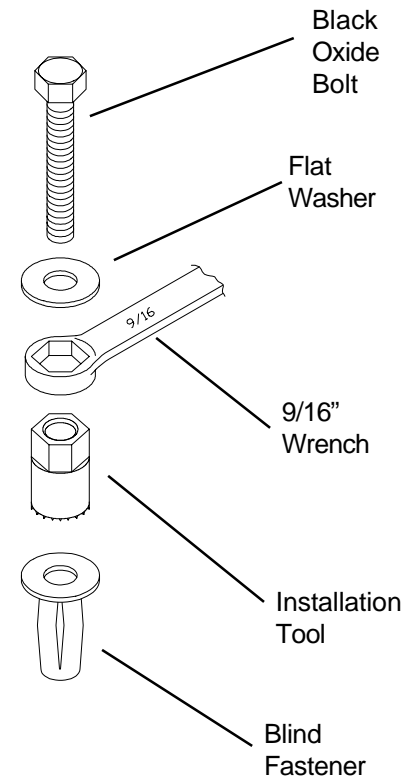
3. Fasten the Wire Spool Rack to the floor. (See Figure 1.)

NOTE - One extra Blind Fastener and one extra lock washer have been provided for use in areas where standard fasteners can't be used, such as heat shields and support channels. Use of the Blind Fastener requires a 1/2" hole.

INSTALLATION PROCEDURE USING BLIND FASTENERS

NOTE: Make sure there is enough hole depth before installing the Blind Fastener, as it could damage the vehicle.

Place a drop of oil on the black oxide bolt before assembling as shown on right. Place the Blind Fastener in the hole and use a 1/2" or 7/16" wrench to tighten black hex bolt until the blind fastener is fully seated. When setting black hex bolt, it will start out hard. As the Blind Fastener "bulbs" out it will get easier, until it bottoms out or sets. Make sure the Blind Fastener and Installation Tool do not turn during installation.



- NOTICE -

Any modification or unintended use of this product shall immediately void all manufacturers warranties. Manufacturer disclaims all liability for injuries to persons or property resulting from any modification to, or unintended use of this product.

If you have any questions, please give us a call. Call Toll Free 1-800-456-7865

WEATHER GUARD® product are protected by one or more of the following trademarks:
U.S. - 842268, 1661625, 1663369, 2228051, 2362167; Canada - 282725; U.K. - 1400720; N.Z. - 296049; Aus. - 761964.

KNAACK
MANUFACTURING
COMPANY

KNAACK MANUFACTURING COMPANY
420 E. TERRA COTTA AVENUE - CRYSTAL LAKE, ILLINOIS, USA 60014
815-459-6020

© 2001 Knaack Manufacturing Company

