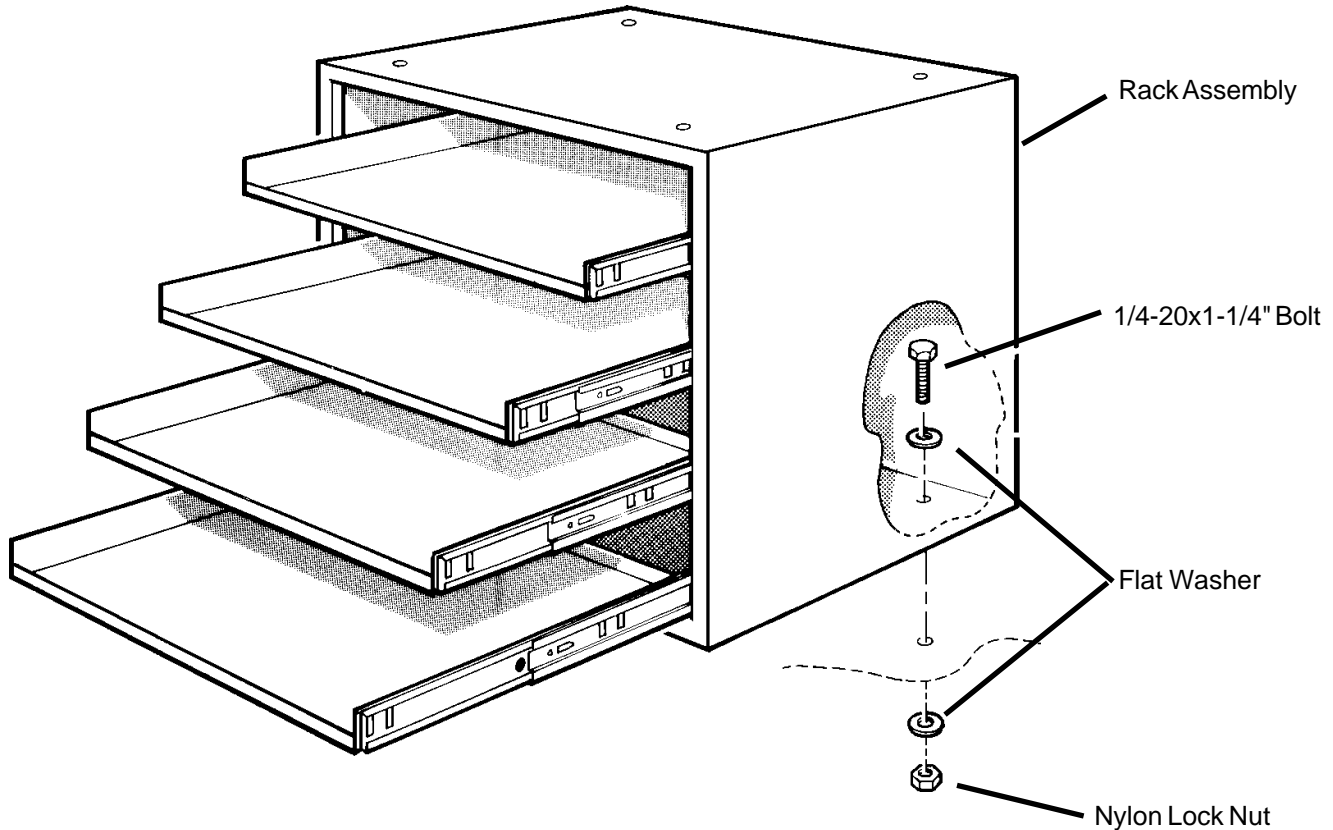


ASSEMBLY AND INSTALLATION INSTRUCTIONS

Slide Out Rack - Model 8931

IMPORTANT BEFORE YOU BEGIN

Read these instructions and warnings completely before installation.



BOLT KITS

Bolt Kit #709 is provided with your Rack. Check this bolt kit to be sure the following parts are included:

Quan.	Description
8	1/4" Flat Washer
4	1/4-20 x 1/2" Screw, phillips
4	1/4-20 x 1-1/4" Bolt, hex hd.
4	1/4-20 Nylon Lock Nut

Bolt Kit #32-0345 is provided with your Rack. Check this bolt kit to be sure the following parts are included:

Quan.	Description
1	1/4-20 Plusnut®
1	Plusnut® Tool
1	1/4-20 x 1-1/4" Blk Ox Bolt
1	1/4" Lock Washer

TOOLS REQUIRED

- Screwdriver, phillips
- 7/16" Open or Box End Wrench (2)
- Electric Drill with 5/16" Drill Bit

INSTALLATION INSTRUCTIONS

1. Place Rack Assembly in position and pull lower slide all the way out. Remove lower slide (See Drawer Removal) and mark mounting hole locations.

CAUTION

Prior to drilling, so as not to cut or puncture fuel tanks, fuel lines, brake lines, electric wires, etc., check under vehicle for locations.

CAUTION

To keep debris out of your eyes when checking the underside of the vehicle, or when drilling, always wear protective eyewear.

2. Remove rack assembly and drill marks with a 5/16" drill bit. Replace the rack.

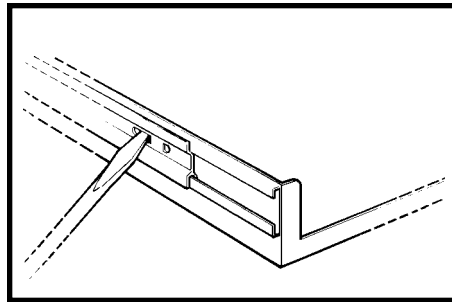
WARNING

All floor mounting bolts near the gas tank area should be installed from the underside of the vehicle, to guard against the gas tank being punctured in the event of a collision. This would mean not using Plusnuts® in this area.

3. Fasten unit in position.

NOTE - A 1/4-20 Plusnut®, Plusnut® Tool, 1/4-20 x 1-1/4" Black Oxide Bolt and 1/4" Lock Washer are provided for use in areas where standard fasteners can't be used, such as heat shields and floor supports. See Plusnut® installation instructions.

NOTE - If stacking, use four 1/4-20 x 1/2" screws (provided) instead of 1/4-20 x 1-1/4" bolts. **Model 8940 Accessory Mounting Strap Kit is required if stacking units.**



DRAWER REMOVAL (above)

1. Pull drawer all the way open, then push back to align stop with lance stop.

2. Push lance stop in with screwdriver as shown, until lance stop clears the stop on the drawer guide.

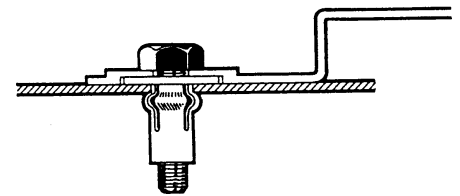
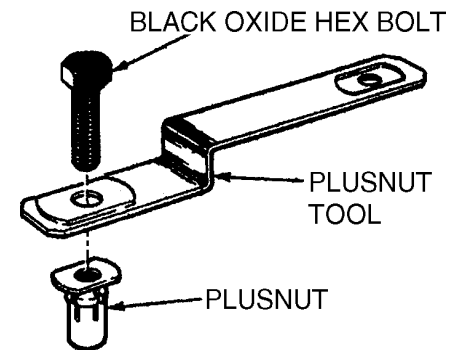
3. Repeat on the other side and remove drawer.

4. To install drawer, pry out lance stop (approx. 1/4") and push drawer into slide until it stops.

INSTALLATION PROCEDURE USING PLUSNUT® BLIND FASTENERS

CAUTION

Prior to drilling, so as not to cut or puncture fuel tanks, fuel lines, brake lines, electric wires, etc., check under vehicle for locations.



Use 7/16" wrench to tighten black hex bolt until Plusnut® fastener is fully seated. When setting black hex bolt, it will start out hard. As the Plusnut® "bulbs" out it will get easier, until the Plusnut® bottoms out or sets. Make sure the Plusnut® and Plusnut® Tool do not turn during installation.

-NOTICE-

Any modification or unintended use of this product shall immediately void all manufacturers warranties. Manufacturer disclaims all liability for injuries to persons or property resulting from any modification to, or unintended use of this product.

If you have any questions, please give us a call. **Call Toll Free 1-800-456-7865**

Weather Guard® products are protected by one or more of the following patents or trademarks:

U.S. - 842268, 1661625, 1663369; Canada - 282725; U.K. - 1400720; other patents pending.



KNAACK MANUFACTURING COMPANY

420 E. TERRA COTTA AVENUE - CRYSTAL LAKE, ILLINOIS, 60014 - 815-459-6020

©1992 Knaack Manufacturing Company