



FITTING INSTRUCTIONS

Part Number: **3523030**

Description: **TACOMA SUMMIT MKII WINCH INSTALL KIT**

Refer to Bull Bar fitting instructions for winch compatibility.

Winches may require additional fitting kits. Refer to table below for details.

WINCH MODEL

ADDITIONAL KITS

Zeon 8:	W89965 WARN ZEON EXTENDED CABLE KIT
Zeon 8s:	W89965 WARN ZEON EXTENDED CABLE KIT & 3500600 HAWSE FAIRLEAD ADAPTER KIT
Zeon 10:	W89965 WARN ZEON EXTENDED CABLE KIT
Zeon 10s:	W89965 WARN ZEON EXTENDED CABLE KIT & 3500600 HAWSE FAIRLEAD ADAPTER KIT
Zeon 12:	W89965 WARN ZEON EXTENDED CABLE KIT
Zeon 10 Platinum:	W89965 WARN ZEON EXTENDED CABLE KIT
Zeon 10-s Platinum:	W89965 WARN ZEON EXTENDED CABLE KIT & 3500600 HAWSE FAIRLEAD ADAPTER KIT
Zeon 12 Platinum:	W89965 WARN ZEON EXTENDED CABLE KIT
VR EVO 8:	W106928 KIT WIRE EXTENSION VR EVO
VR EVO 8s:	W106928 KIT WIRE EXTENSION VR EVO & 3500600 HAWSE FAIRLEAD ADAPTER KIT
VR EVO 10:	W106928 KIT WIRE EXTENSION VR EVO
VR EVO 10s:	W106928 KIT WIRE EXTENSION VR EVO & 3500600 HAWSE FAIRLEAD ADAPTER KIT
XP:	-
XP:	3500600 HAWSE FAIRLEAD ADAPTER KIT
M8000:	-
M8000s:	3500600 HAWSE FAIRLEAD ADAPTER KIT
XD9:	-
XD9s:	3500600 HAWSE FAIRLEAD ADAPTER KIT
9.5XDC:	3500410 WARN XDC ADAPTER KIT
9.5XDC-s:	3500600 HAWSE FAIRLEAD ADAPTER KIT & 3500410 WARN XDC ADAPTER KIT
Magnum 8:	-
Magnum 8s:	3500600 HAWSE FAIRLEAD ADAPTER KIT
Magnum 10:	-
Magnum 10s:	3500600 HAWSE FAIRLEAD ADAPTER KIT
Magnum 12:	-
Bushranger DV9TH:	3500780 BUSHRANGER CABLE COVER KIT (OPTIONAL)
Bushranger Seal 9.5TH:	3500600 HAWSE FAIRLEAD ADAPTER KIT & 3500780 BUSHRANGER CABLE COVER KIT (OPTIONAL)
Bushranger DV12TH:	3500780 BUSHRANGER CABLE COVER KIT (OPTIONAL)
Bushranger REVO 10W:	-
Bushranger REVO 10S:	3500600 HAWSE FAIRLEAD ADAPTER KIT
Smittybilt X20 10lbs cable:	3500770 SMITTYBILT ADAPTER KIT
Smittybilt X20 10lbs rope :	3500600 HAWSE FAIRLEAD ADAPTER KIT and 3500770 SMITTYBILT ADAPTER KIT

ARB 4x4 ACCESSORIES

Corporate Head Office

42-44 Garden St
Kilsyth, Victoria
AUSTRALIA 3137

Tel: +61 (3) 9761 6622
Fax: +61 (3) 9761 6807

Australian enquiries
North & South American enquiries
Other international enquiries

sales@arb.com.au
sales@arb.com.au
exports@arb.com.au

www.arb.com.au

FITTING REQUIREMENTS

HAVE AVAILABLE THESE SAFETY ITEMS WHEN FITTING PRODUCT:

Protective eyewear



Hearing protection



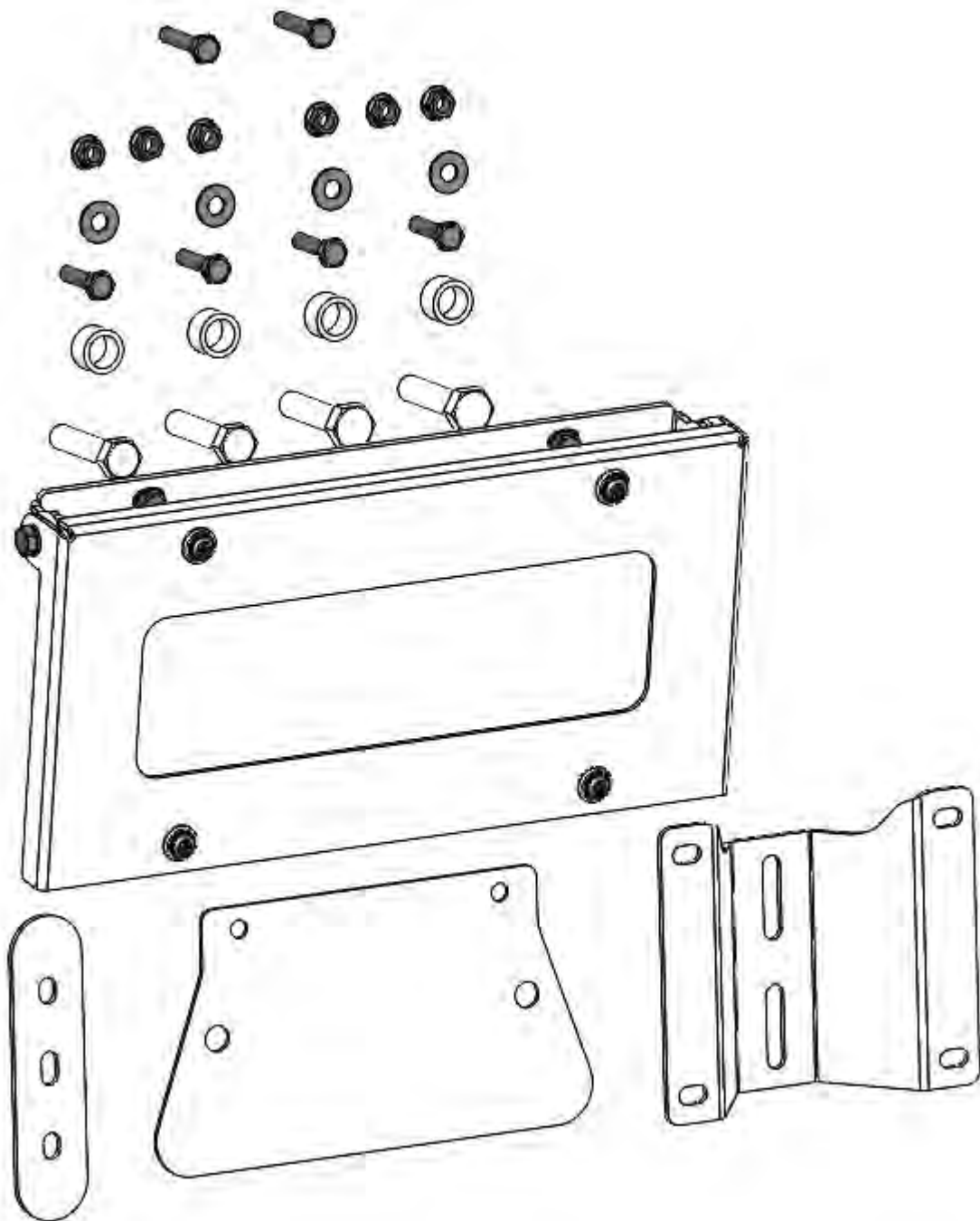
NOTE: 'WARNING' notes in the fitting procedure relate to OHS situations, where to avoid a potentially hazardous situation it is suggested that protective safety gear be worn or a safe work procedure be employed. If these notes and warnings are not heeded, injury may result.

FASTENER TORQUE SETTINGS:

SIZE	Torque Nm	Torque lbft
M6	9Nm	7lbft
M8	22Nm	16lbft
M10	44Nm	32lbft
M12	77Nm	57lbft

PARTS LISTING

ITEM NO.	PART NUMBER	DESCRIPTION	QTY.
1	3194775	PLATE CABLE GUARD SUMMIT BARS	1
2	3195186	PLT MAGNUM CBOX MNT SUIT PXIII	1
3	3750122	NUMBER PLATE BRACKET LIFT UP	1
4	3752754	BRACKET NUMBER PLATE MOUNT	1
5	3759658	WARN CONTROL BOX BRACKET SUMMIT BARS	1
6	4581304	WASHER FLAT M6 SS	4
7	4584327	WASHER FLAT M6x16x1.2 BTZP480	10
8	5848302	PACKER RB NYLON	2
9	6151074	BOLT UNC 3/8 X 1 3/4	2
10	6151213	BOLT M6 x 1.0 x 20 8.8 BLACK ZINC	4
11	6151223	NUT NYLOC M6 x 1.0 BLACK ZINC	4
12	6151228	BOLT HXHD M6x1.0x30 PC8.8 BZP	2
13	6151256	SCREW BHD M6x16 SS MG304	4
14	6151456	SCREW HXHD M10x1.5x45 PC8.8 ZP	2
15	6151550	BOLT M6 x 1.0 x 25 PC8.8 BLACK ZINC	4
16	6151561	NUT FLANGE M6 x 1.0 BLACK ZINC	12
17	6250010	SPACER 17 X 12.6 X 10	4
18	6151521	SCREW BHD M5X25 SK ZNB480	2
19	37801255	F/INST 3523030 WINCH INSTALL KIT (THIS DOCUMENT)	1



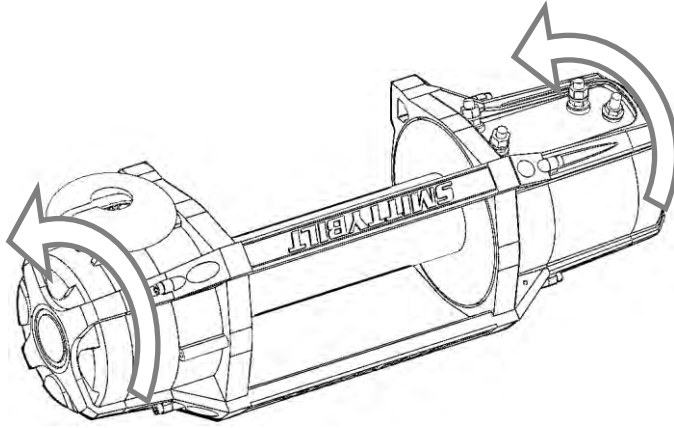
WINCH PREPARATION

This ARB bar has been designed to carry a variety of Warn, Magnum, Smittybilt and Bushranger winches. Before the winch is fitted into the bar it will need to be configured for proper fit and operation.

Note: Before fitting the winch to the bar, ensure that you have read and understand the fitting instructions supplied with the winch. These instructions only cover the fitment of the winch and control box to the bar. They do not cover the wiring procedure. For this refer to the winch manufacturer's instructions.

You will need to modify your winch to allow fitment into the bar. See below for each of the winch brands:

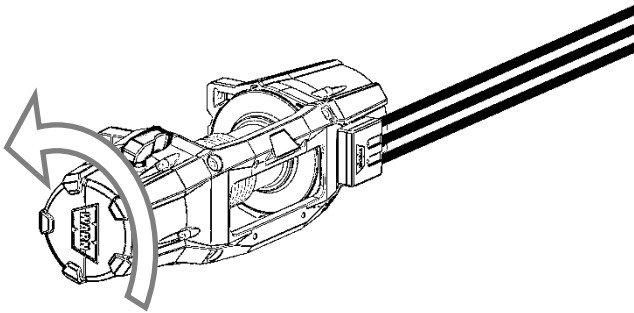
Note: The pictures below show the winches following modification.



Warn / Magnum / Smittybilt winches: Undo the screws in the gearbox end of the winch. Carefully slide the gearbox away from the winch only until it is able to rotate. Rotate the gear box anti-clockwise 72° and replace screws.

Smittybilt winches only. Motor will need to be rotated for adequate cable length. Remove 4 motor retaining bolts and cover. Remove 2 additional motor cap bolts. Rotate the motor until electrical connections are facing upwards. Reinstall retaining bolts and motor cover. (**SMITTYBILT "GEN 2"** shown)

Ensure drain holes are correctly orientated. Refer to winch instructions for more details.

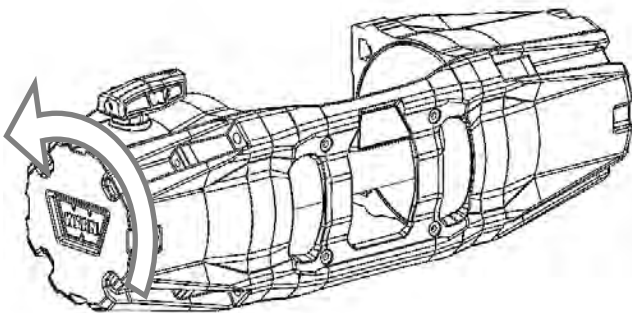


Warn Zeon winches*: Undo the screws in the gearbox end of the winch. Carefully slide the gearbox away from the winch only until it is able to rotate. Rotate the gear box anti-clockwise 72° and replace screws.

Remove the control box as per the Zeon control pack relocation kit installation guide.

Install the Warn Zeon relocation kit to the winch and control box.

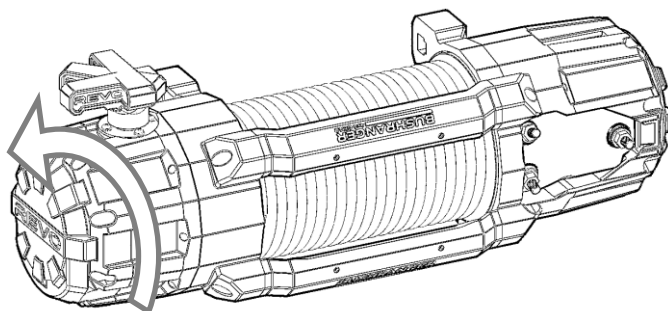
***Not required for Zeon Platinum models.**



Warn VR Evo Winches: Undo the screws in the gearbox end of the winch. Carefully slide the gearbox away from the winch only until it is able to rotate. Rotate the gear box anti-clockwise 90° and replace screws.

Remove the control box as per the VR Evo control pack relocation kit guide.

Install the Warn VR Evo wire extension kit to the winch and control box.



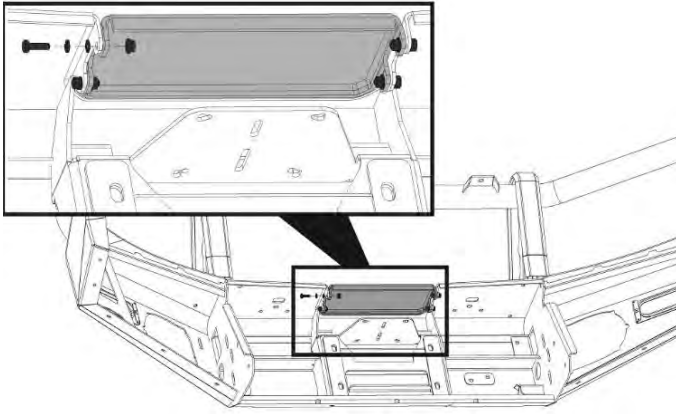
Bushranger winches: Undo the screws in the gearbox end of the winch to remove the brake cover. Remove the bolts retaining the gearbox housing.

Rotate the gearbox anti-clockwise until the clutch is as close as possible to directly upwards. Gearbox rotation increments may be 36°, 40° or 90° depending on model. (**"REVO 10"** model shown)

Ensure fine seals are seated correctly then replace and tighten all fasteners.

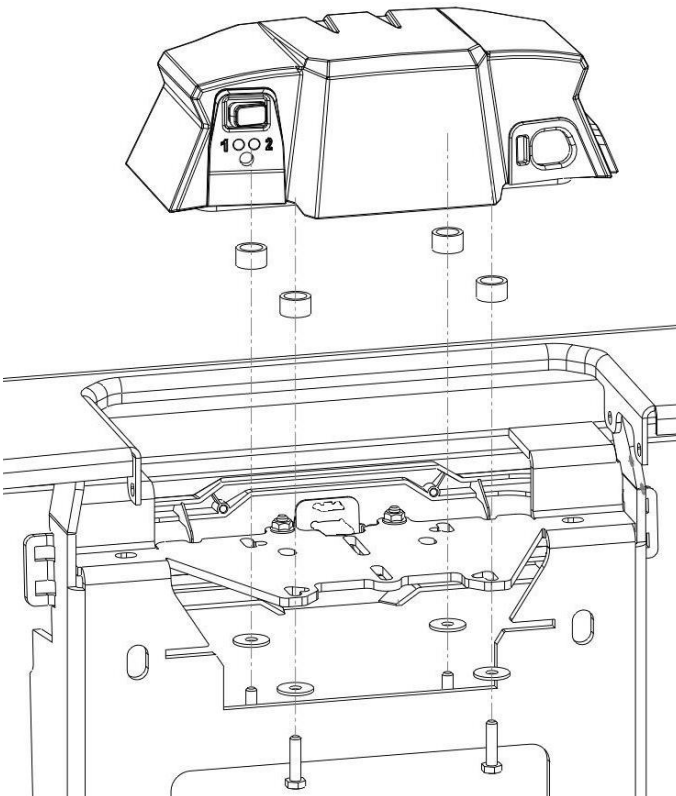
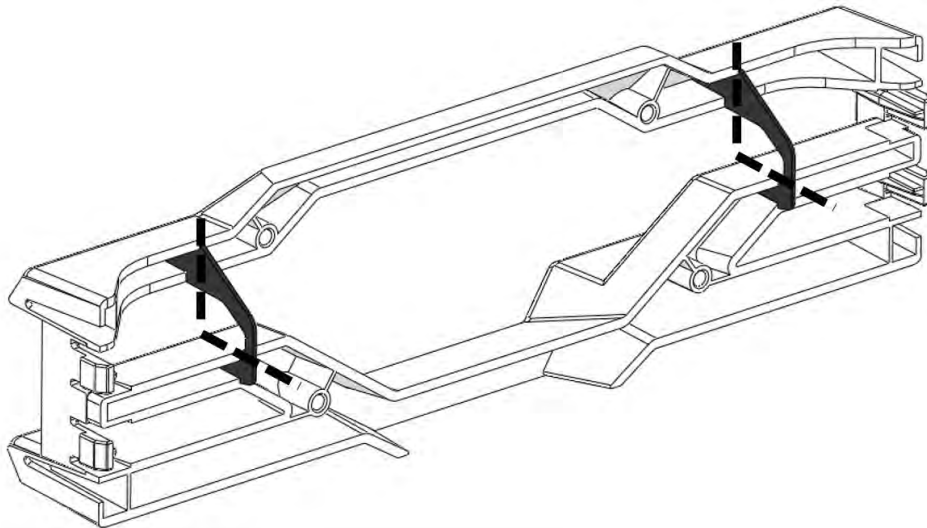
Ensure drain holes are correctly orientated
Refer to winch instructions for more details.

FITTING PROCEDURE



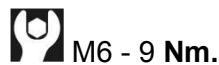
1. Lay the bar face down on a soft surface so as not to damage the paint / powder coat.
2. If fitted, carefully remove the winch cover plate and discard. Keep fasteners for re-use.

3. NOTE: Some winch control box fitments (e.g. Warn Zeon, Warn Platinum) will require the rear ribs on the 3166319 centre grille section to be trimmed. Use sidecutters to carefully cut across the trim lines shown.



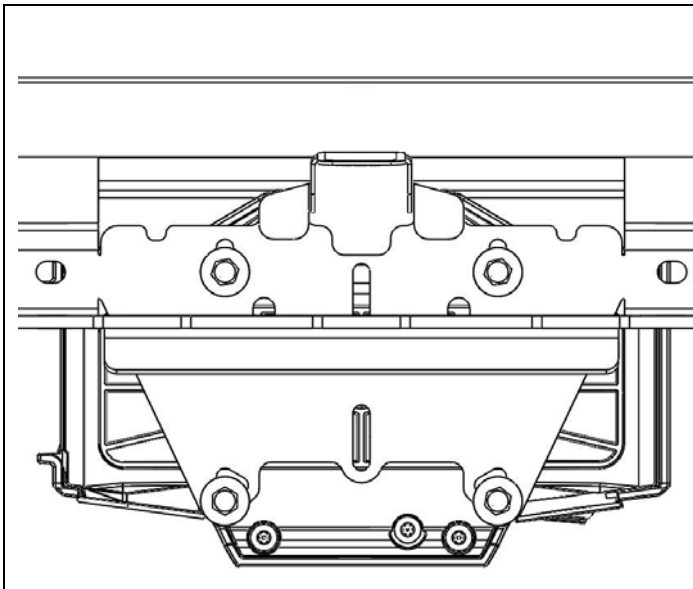
Warn Zeon / Platinum winches:

4. Trim the vehicle bumper / grille to create clearance for the control box.
REFER TO BULLBAR FITTING INSTRUCTIONS FOR TRIM
5. Mount the control box to the winch cradle using:
4x M6x25 hex head bolts
4x M6x16 washers
4x 6250010 spacers
6. Adjust the control box until it is approximately 5mm clear of front of control box recess and tighten all fasteners.

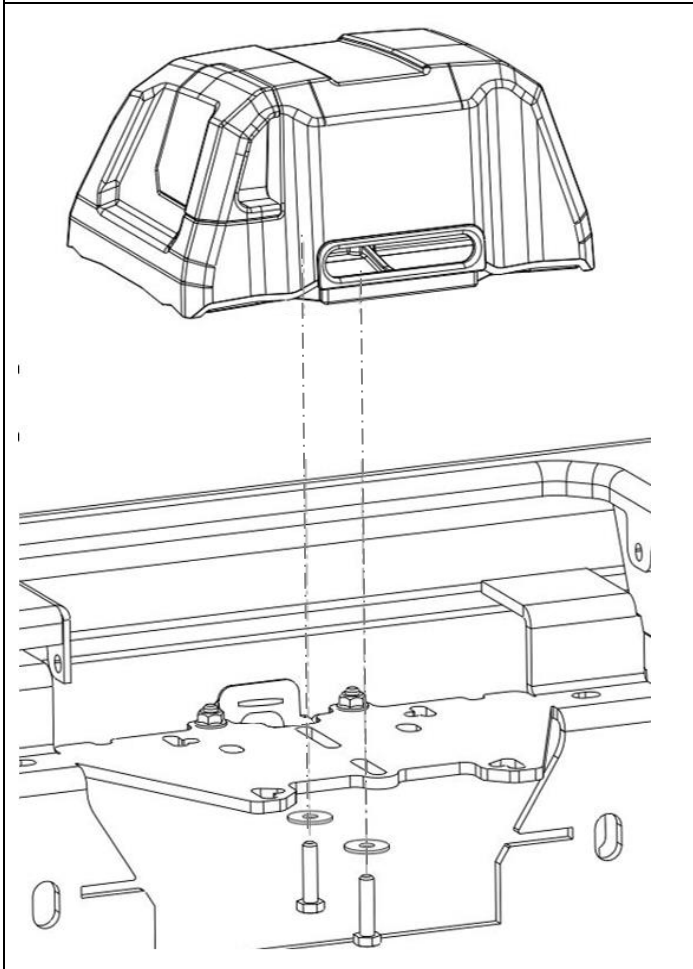
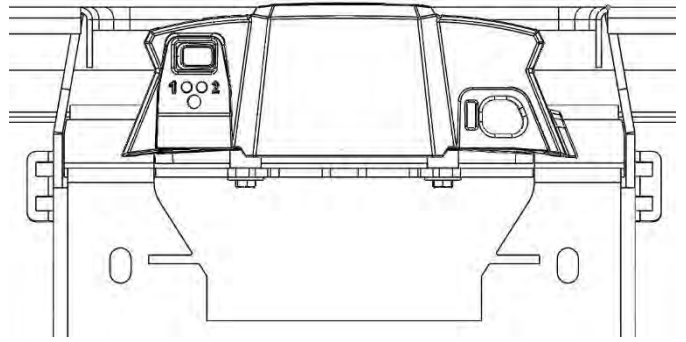


7. Route and cable tie the Control Box Cables clear of the winch spool area.

Control Box Assembled; Rear view shown




HINT: Apply some split cable protection conduit to the winch cables where they pass through the Bull Bar.



Warn VR EVO Winches:

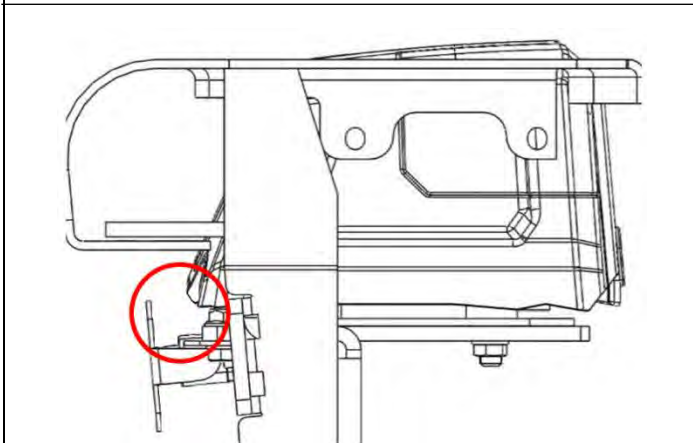
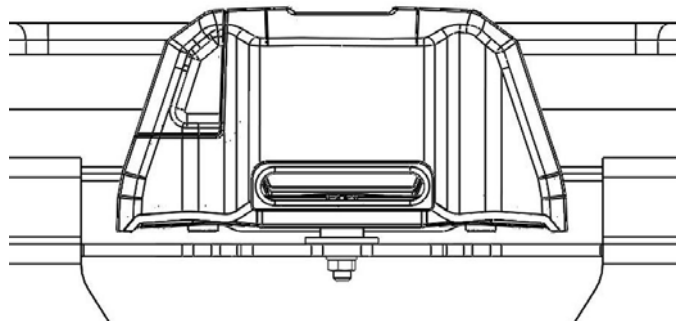
8. Mount the control box to the winch cradle using:
2x M5 Button head Screws
2x M6x16 washers
9. Adjust the control box until it is approximately 3mm clear of front of the camera module and tighten all fasteners.

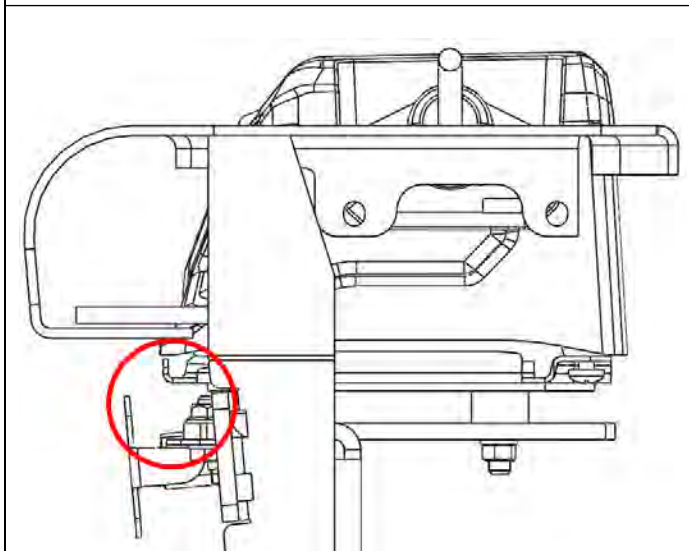
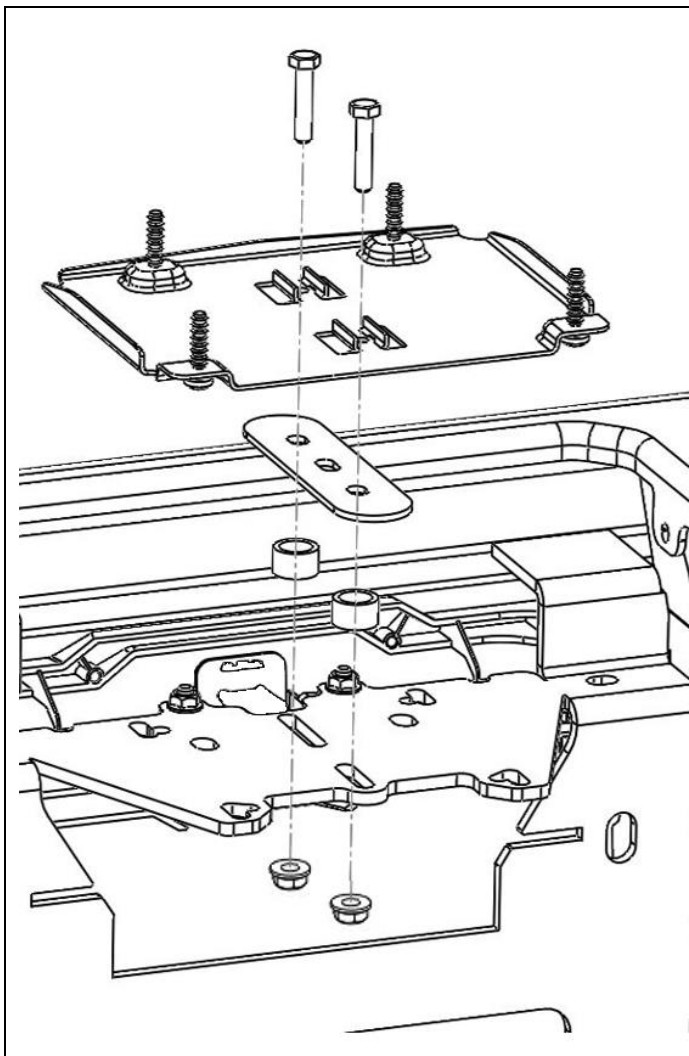
 M6 - 9 Nm.

10. Route and cable tie the control box cables clear of the winch spool area.

HINT: Apply some split cable protection conduit to the winch cables where they pass through the Bull Bar.

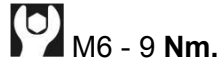
Control Box Assembled; Rear view shown





Warn Magnum winches (“GEN 2”):

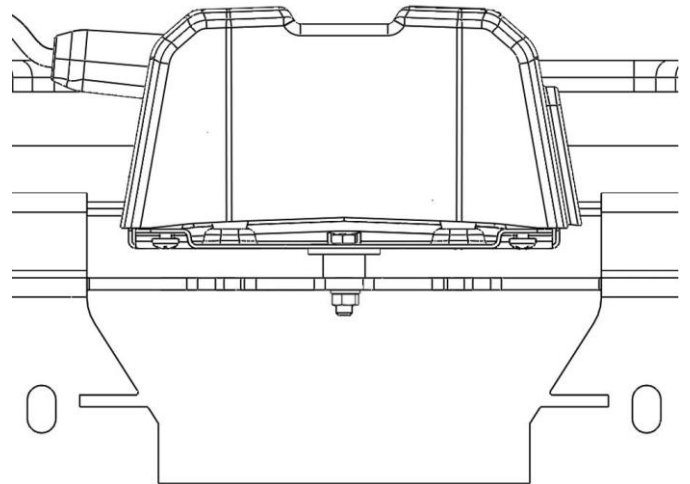
11. Mount the Control Box base plate to cradle using the fasteners supplied with the winch kit. Ensure that the 2x centrally located M6x30 hex head bolts pass through the plates as shown.
12. Fasten the Warn Base Plate to the winch cradle using:
 1x 3195186 plate
 2x M6x30 hex head bolts
 2x 6250010 spacers
 2x M6 flange nuts
13. Adjust the control box until it is approximately 3mm clear of front of bull bar grille centre section and tighten all fasteners.

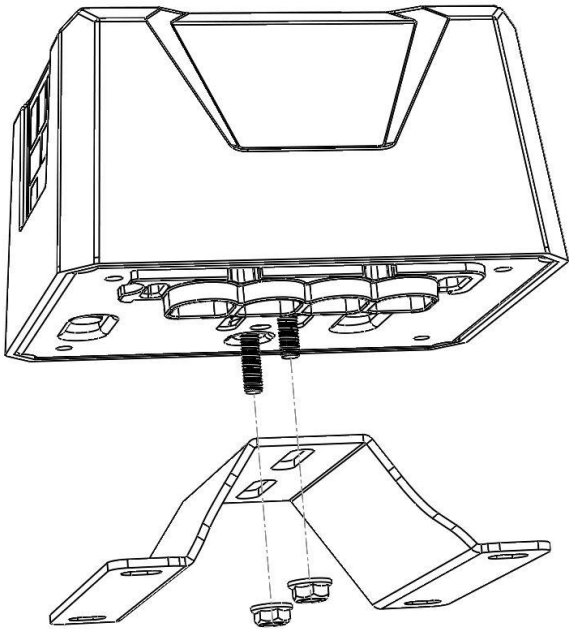


14. Route and cable tie the Control Box Cables clear of the winch spool area.

Control Box Assembled; Rear view shown

HINT: Apply some split cable protection conduit to the winch cables where they pass through the Bull Bar then route and cable tie them clear of the winch spool.

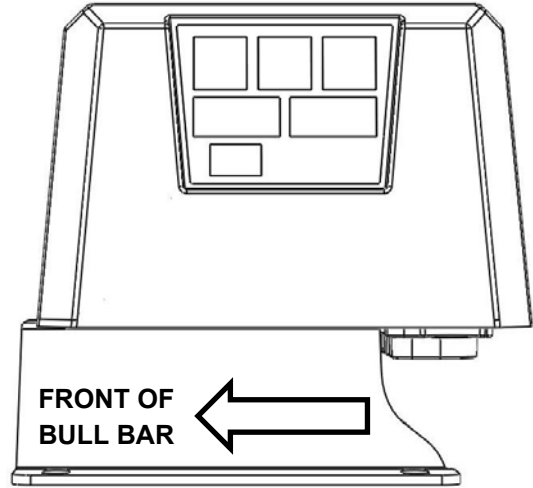





Warn M8000, XD9 & 9.5XP “Contactor” control box winches.

15. Mount the control box to the included 3194775 bracket using 2x M6 flange nuts
16. Pass the control box cables past the cut-out at the rear of the bracket. *Rear view shown.*

NOTE: ENSURE THE CUT-OUT EDGES OF THE BRACKET FACE THE **REAR** OF THE BAR AS SHOWN, AND CONTROL BOX OUTLETS ARE PLACED OVER THE REAR OF THE BRACKET

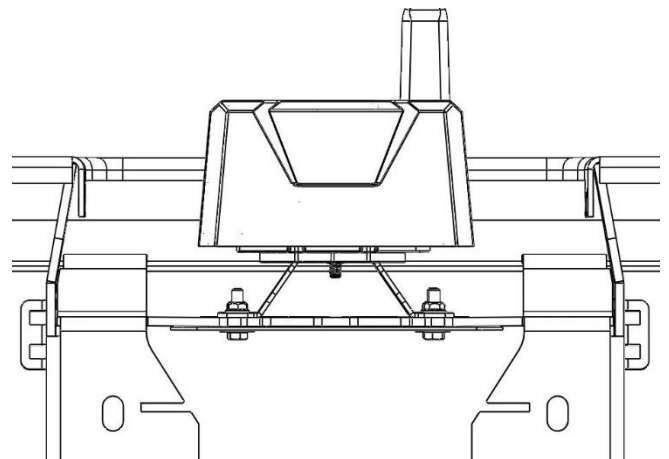


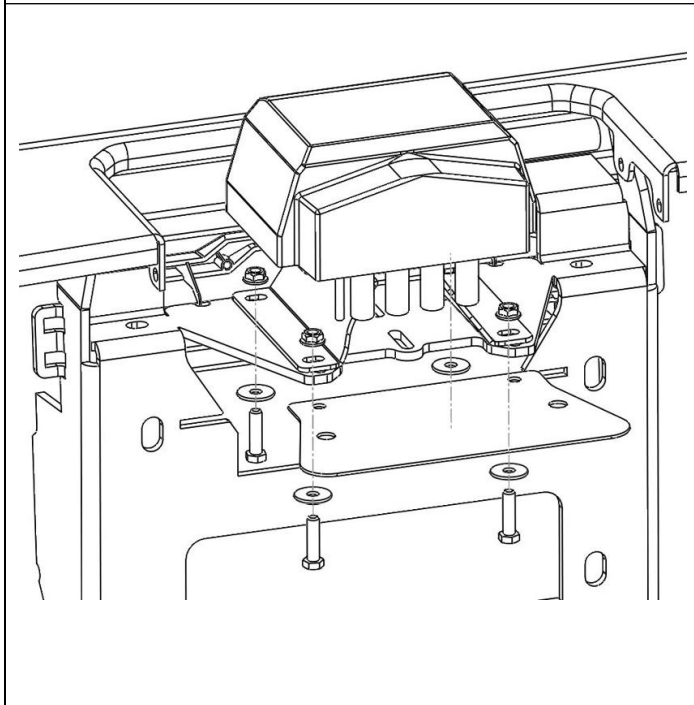
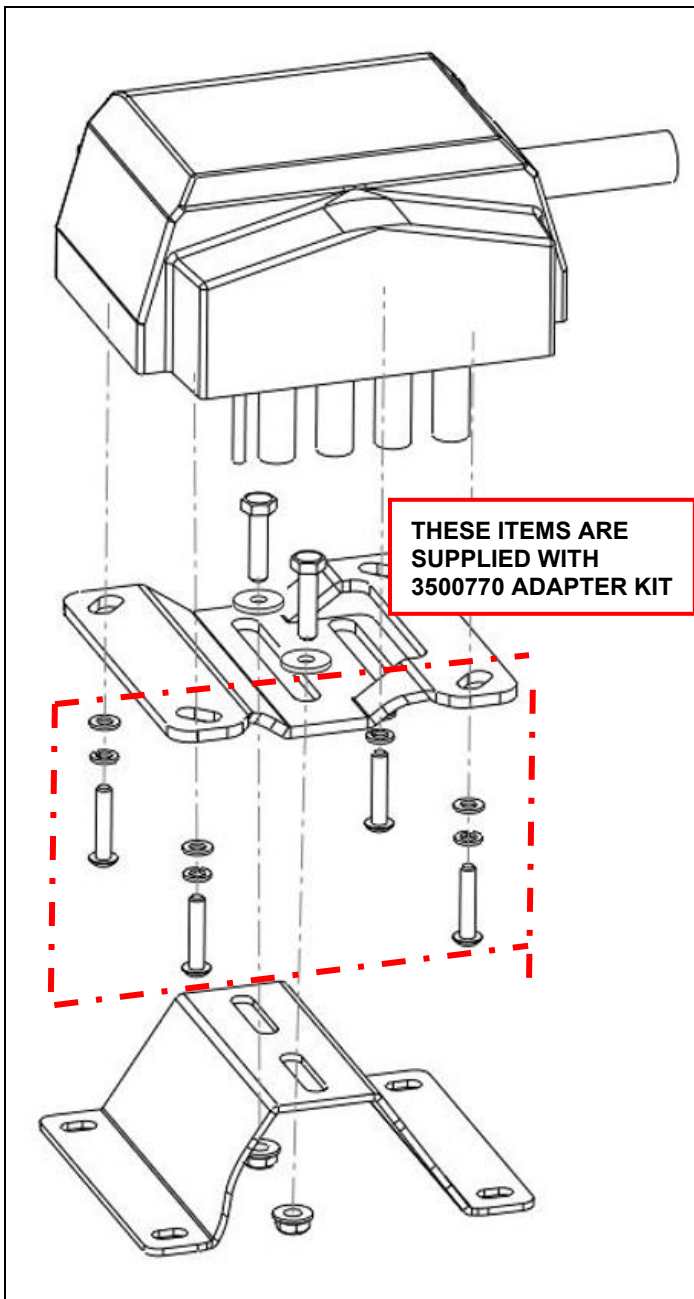
17. Mount the control box sub-assembly and 3194775 cable guard plate to the bar using:
 - 4x M6x25 hex head bolts
 - 4x M6x16 washers
 - 4x M6 flange nuts
18. Adjust the control box until it is approximately 5mm clear of front of control box recess and tighten all fasteners.

 M6 - 9 Nm.

Control Box Assembled; Rear view shown

HINT: Apply some split cable protection conduit to the winch cables where they pass through the Bull Bar then route and cable tie them clear of the winch spool.



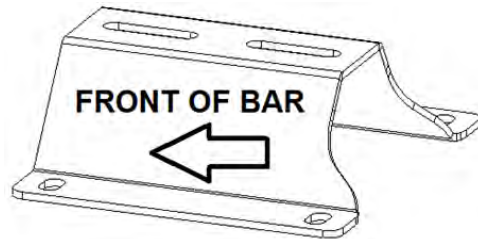


Smittybilt "GEN 2" winches. Requires Smittybilt adapter kit 3500770

19. Mount the Control Box to the adapter bracket included in the 3500770 kit using the M5 hardware provided in the kit.
20. Mount the control box to the 3759658 bracket using:
 - 2x M6x30 hex head bolts
 - 2x M6 flange nuts
 - 2x Washers (not included)


Pass the control box cables past the cut-out at the rear of the bracket. *Rear view shown.*

NOTE: ENSURE THE CUT-OUT EDGES OF THE BRACKET FACE THE **REAR** OF THE BAR AS SHOWN

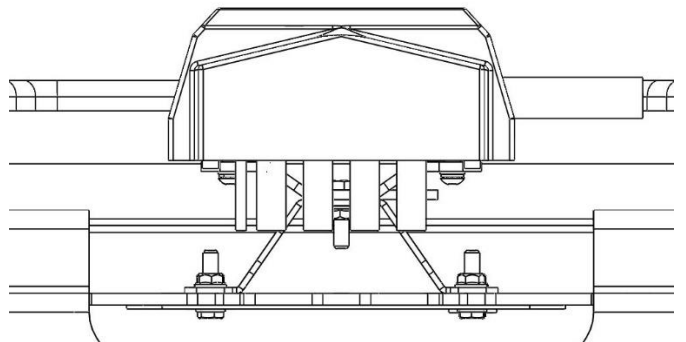


21. Mount the control box sub-assembly and 3194775 cable guard plate to the bar using:
 - 4x M6x25 hex head bolts
 - 4x M6x16 washers
 - 4x M6 flange nuts

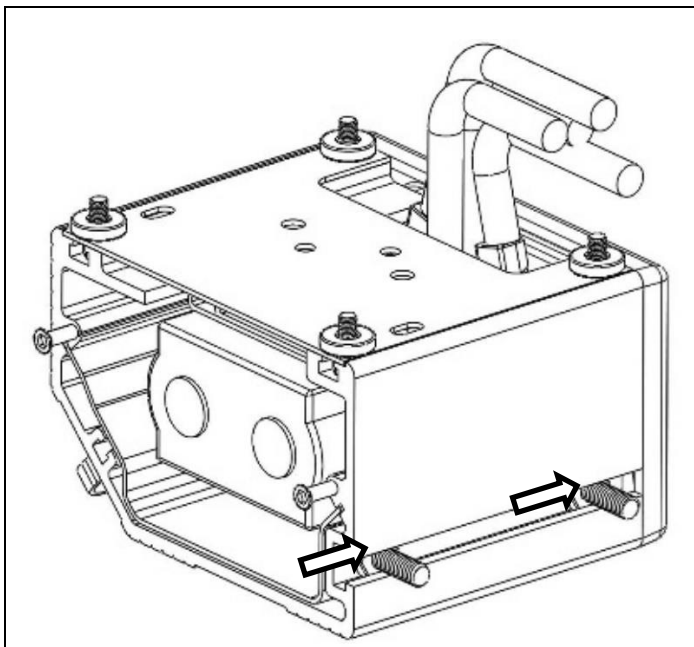
Rear view shown.
22. Adjust the control box until it is approximately 5mm clear of front of control box recess and tighten all fasteners.

 M6 - 9 Nm.

Control Box Assembled; *Rear view shown*




HINT: Apply some split cable protection conduit to the winch cables where they pass through the Bull Bar then route and cable tie them clear of the winch spool.



Bushranger winches "GEN 1".

23. First remove one plastic end from the control box. Slide in two Hex head M8x20 bolts. (*not provided*).
24. Replace plastic end of the control box and fasten to bull bar using 2x M8 nut and washer sets (*not provided*)
25. If desired optional cover kit 3500780 can be fitted to back of bushranger control box.


 M8 - 22 Nm.

26. Mount the 3194775 cable guard plate to the bar using:

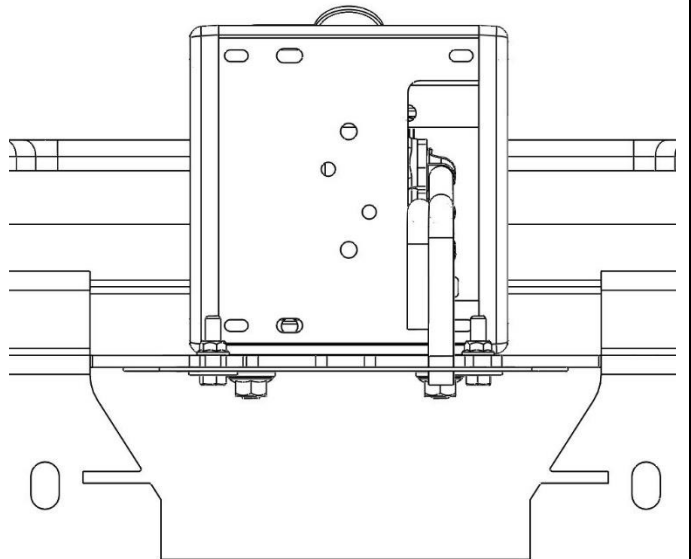
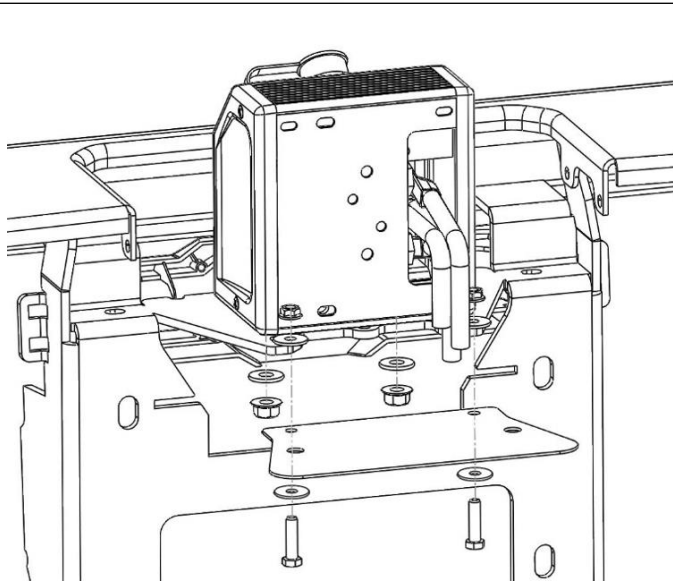
2x M6x25 bolts
 4x M6x16 washers
 2x M6 flange nuts

Rear view shown.

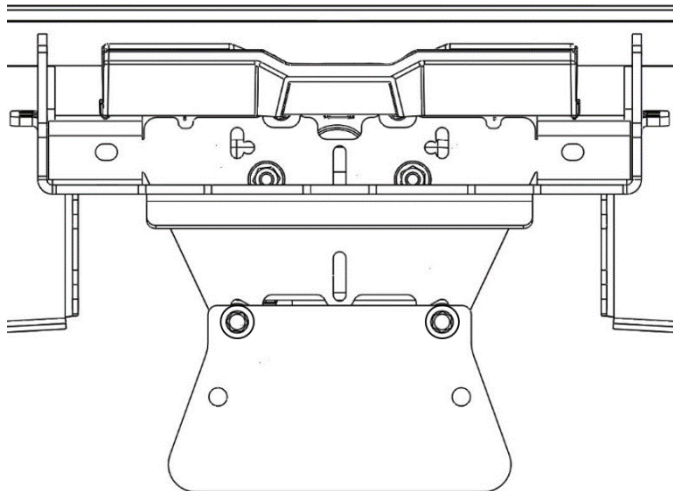
27. Adjust the control box until it is approximately 5mm clear of front of control box recess and tighten all fasteners.

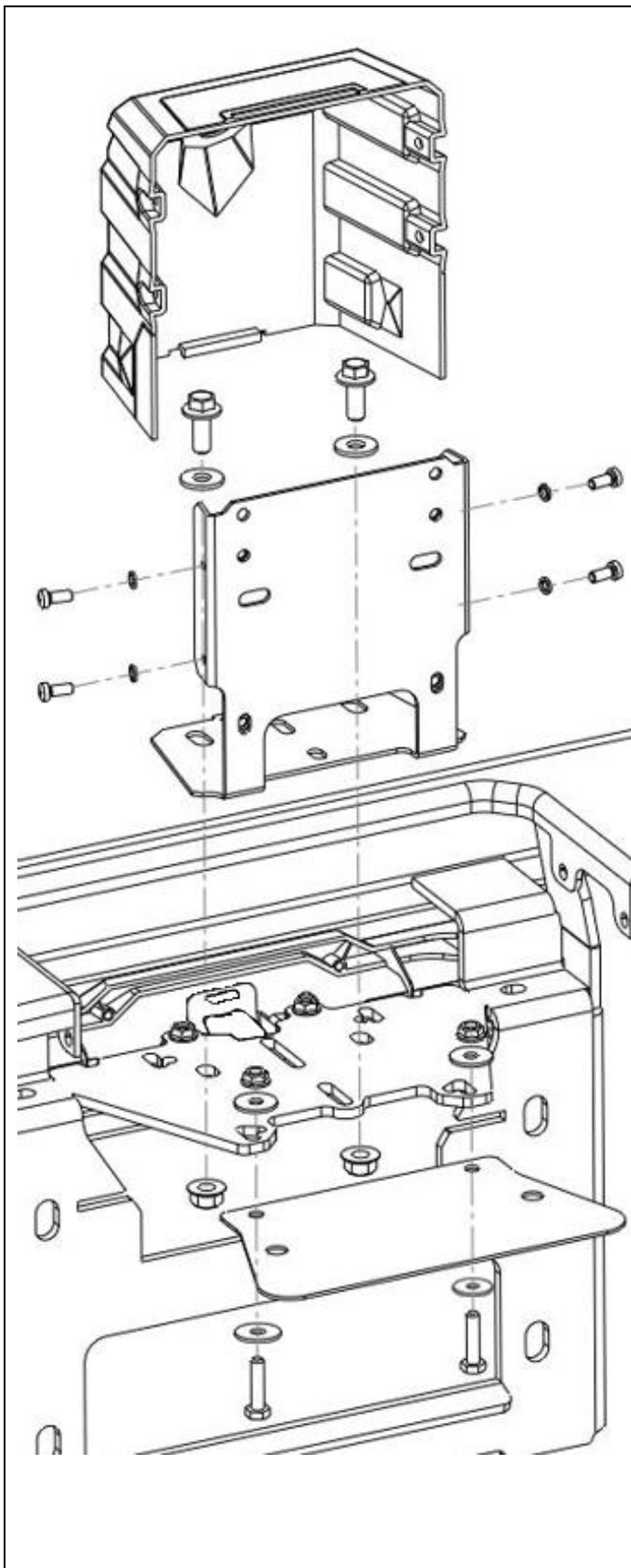
 M6 - 9 Nm.

Control Box Assembled; Rear view shown




HINT: Apply some split cable protection conduit to the winch cables where they pass through the Bull Bar then route and cable tie them clear of the winch spool.






Bushranger REVO winches "GEN 2".

28. First remove the plastic control box cover then align the two slots in the base with the slots in the bar mount.
Use at least 2x hex head M8x20 bolts, washers and nuts to secure the control box (*not provided*).
29. Carefully replace the plastic control box cover and adjust the control box until it is approximately 5mm clear of front of control box recess and tighten the M8 fasteners.

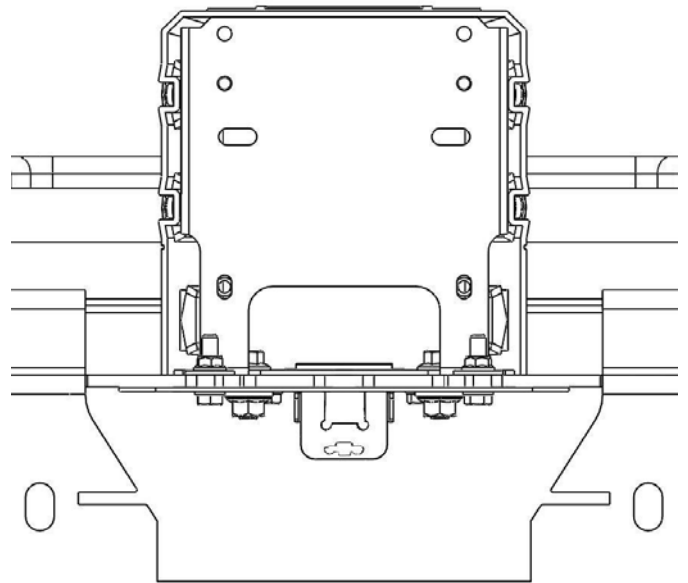
 M8 - 22 Nm.

30. Mount the 3194775 cable guard plate to the bar using:

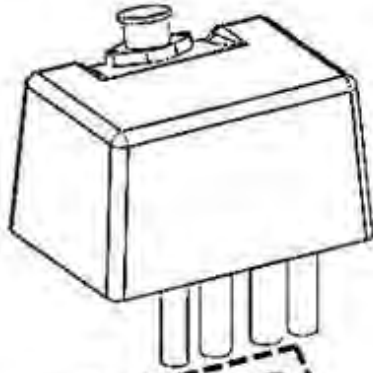
2x M6x25 bolts
4x M6x16 washers
2x M6 flange nuts

 M6 - 9 Nm.

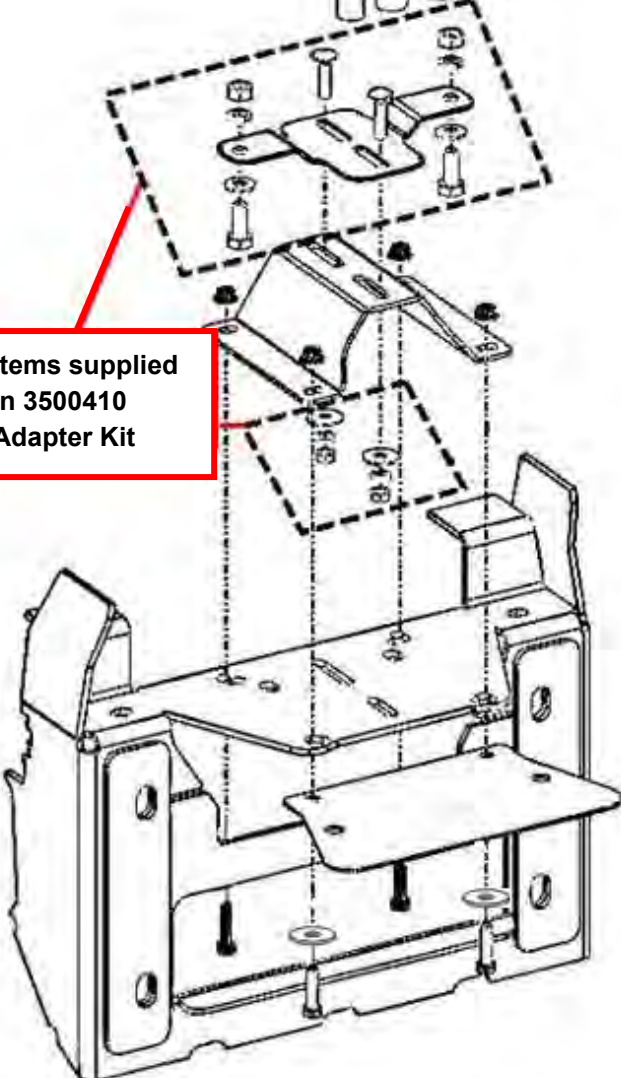
Control Box Assembled; Rear view shown



HINT: Apply some split cable protection conduit to the winch cables where they pass through the Bull Bar then route and cable tie them clear of the winch spool.




Items supplied
in 3500410
Adapter Kit

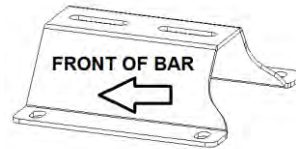


Warn XDC control box winches: Requires XDC adapter kit 3500410.

31. Mount the XDC Control Box to the adapter bracket included in the 3500410 kit using the M8 hardware provided in the kit. **Note:** the control box cover will need to be removed and rotated 180 degrees and re-assembled to the bracket. *Rear view shown.*


 M8 - 22 Nm.

32. Mount the control box to the 3750486 bracket using the M6 fasteners supplied with the 3500410 kit, passing the control box cables past the cut-out at the rear of the bracket.

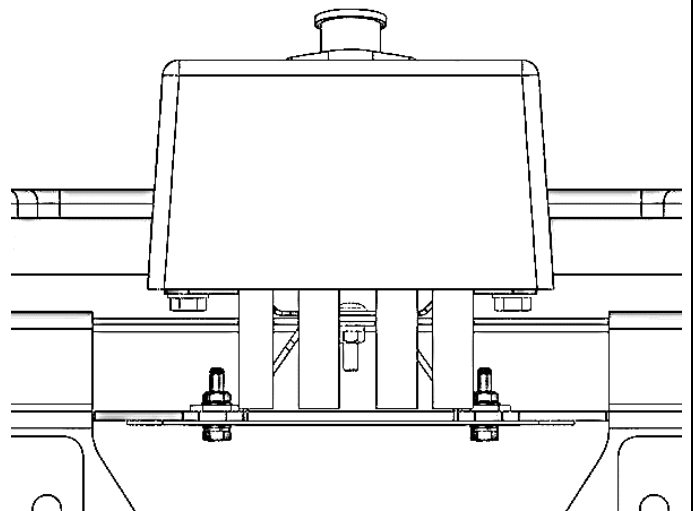


33. Mount the control box sub-assembly and 3194775 cable guard plate to the bar using:
 - 4x M6x25 bolts
 - 4x M6x16 washers
 - 4x M6 flange nuts

34. Adjust the control box until it is approximately 5mm clear of front of control box recess and tighten all fasteners.

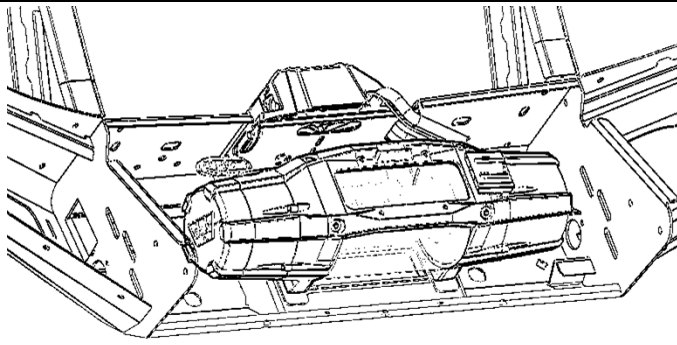
 M6 - 9 Nm.

Control Box Assembled; *Rear view shown*



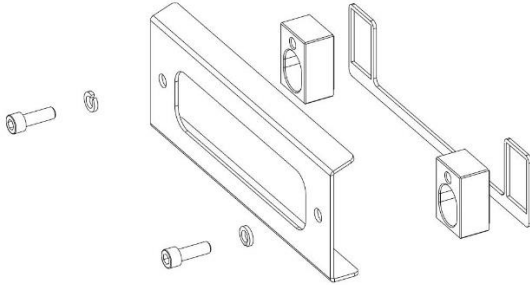
HINT: Apply some split cable protection conduit to the winch cables where they pass through the Bull Bar then route and cable tie them clear of the winch spool.

WINCH FITMENT – USE APPROPRIATE FASTENERS SUPPLIED WITH WINCH



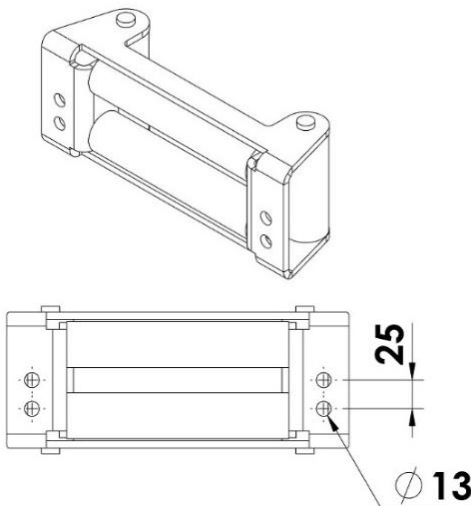
35. Sit the winch in position on the winch cradle.
36. Attach the winch to the bar through the top 2 holes using 2 short bolts (and any washers) that are supplied with the winch.
37. Level the winch and tighten the bolts.

HAWSE FITMENT – 3500600 SPACER KIT



38. **For hawse fitment**, Spacer kit 3500600 is required, refer to instruction 3787087 supplied.

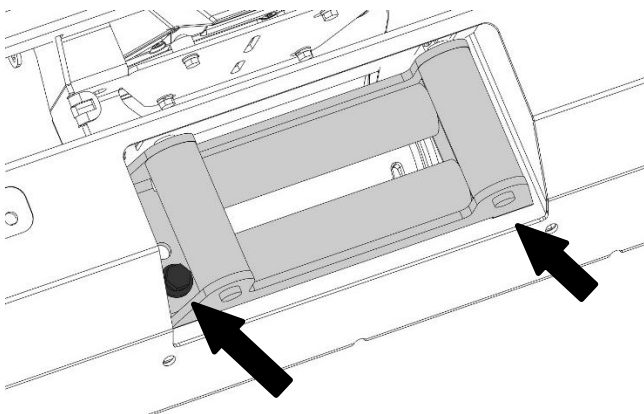
ROLLER FAIRLEAD FITMENT



39. **For roller fairlead fitment**, if not already done, mark 2x hole positions 25mm below the centre holes as shown in the diagram.
40. Drill two $\varnothing 13$ mm holes. De-burr the holes and protect with a zinc rich primer to prevent rust.



Warning: Drilling operations can result in flying metal debris; safety glasses should be worn.



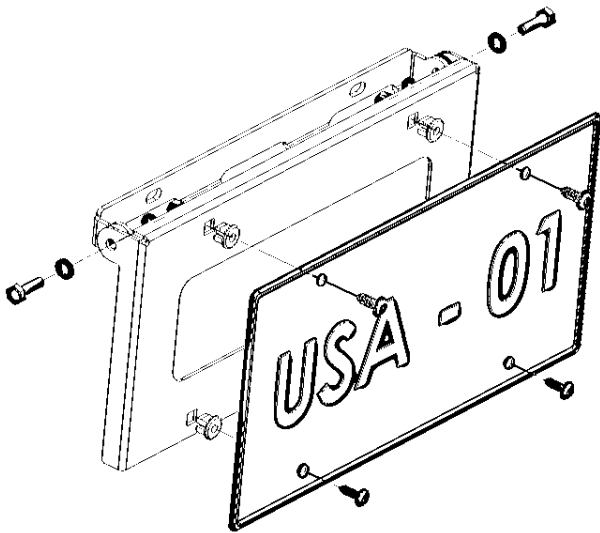
41. Turn the bar over onto the back face.
42. Attach the roller fair lead (RFL) to the bar and winch using the longer hex bolts supplied in this kit and any washers supplied with the winch.

NOTE 1: To make it easier to get to the bolt holes in the RFL, remove the vertical roller pins and rollers.

NOTE 2: Some winches will require 3/8" UNC bolts where others will require M10. Both have been supplied in this kit. Please check the threads before proceeding. This can be done by comparing the bolts from this kit with the ones supplied with the winch.

 M10- 44 Nm.  3/8UNC - 44 Nm.

FOLDING NUMBER PLATE FITTING PROCEDURE



43. Assemble the smaller of the two number plate brackets to the front of the bar using 2x M6x20 hex bolts, washers and flange nuts provided.
44. Assemble the larger bracket to the smaller one using 2x M6x20 hex bolts, washers, packers and flange nuts provided.
45. Secure the number plate to the front bracket using 4x pan head screws and plastic grommets as shown in the diagram on the next page.
46. Secure assembly to lower pan of bull bar using black M6x20 hex heads bolts, washers and flange nuts (provided with the bull bar fitting kit).



FOLD UP LICENCE PLATE BRACKET FITTED TO BULL BAR



47. Ensure all cables are attached as per the winch manufacturer's instructions. Ensure cables are securely attached and cannot rub on any sharp edges.
48. Tidy the cables and secure using cable ties leaving the 2 long power cables free to be connected to the vehicle's battery later.

Return to the bar fitment instructions.