



INSTALLATION MANUAL

Level of Difficulty

Moderate

Parts List

1	Bull bar
1	Driver / left mounting bracket
1	Passenger / right mounting bracket
4	Hex bolt, M8
4	Flat washer, M8
4	Nylock nut, M8
4	Bolt plate, M12
4	Flat washer, M12
4	Nylock nut, M12
1*	LED wiring harness*

*Wiring harness only included with LED equipped models

Tools Required

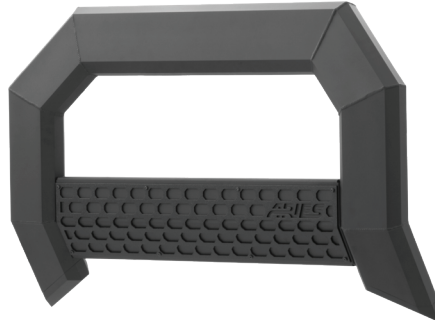
Ratchet	Extension
Level	Wrench set
Socket set	--

Torque Specifications

M8 bolt	7 ft-lbs.
M12 bolt	28 ft-lbs.

Use above torque setting unless otherwise noted

Product Photo



2164003



2164103

NOTICE

Before you begin installation, read all instructions thoroughly.

Proper tools will improve the quality of installation and reduce the time required.

To help prevent damage to the product or vehicle, refer to the specified torque specifications when securing hardware during the installation process.

Maintenance

To protect the product, wax after installing. Regular waxing is recommended to add a protective layer over the finish. Do not use any type of polish or wax that may contain abrasives that could damage the finish.

For polished, gloss and other smooth finishes, polish may be used to clear small scratches and scuffs on the finish.

Mild automotive detergent may be used to clean the product. Do not use dish detergent, abrasive cleaners, abrasive pads, wire brushes or other similar products that may damage the finish.

Product Registration and Warranty

CURT Group stands behind our products with industry-leading warranties.

Provide feedback and help us to improve our products by registering your purchase at:

warranty.curtgroup.com/surveys

Step 1

For vehicles without tow hooks, skip to step 2.

Remove and set aside the driver-side and passenger-side tow hooks.

Step 2

Place the driver-side mounting bracket up to the vehicle and secure the bracket using the supplied M12 hardware. Snug the hardware, but do not fully tighten.

Chevrolet: Mount the bracket inside the frame to the outboard wall with flanges bent in.

GMC: Mount the bracket inside the frame to the inboard wall with flanges bent out (pictured).

Repeat on the passenger side of the vehicle.



Step 3

Lay the bull bar on a flat surface. Insert two M8 hex bolts on each side into the inner rail slot (GMC - pictured) or outer rail slot (Chevrolet).



Step 4

With help, lift the bull bar into place and align the bolts into the mounting brackets.

Secure the bull bar to the brackets using the M8 flat washers and locking nuts (Chevrolet - pictured). Snug the hardware, but do not fully tighten.



Step 5

Level and adjust the bull bar into the desired position and tighten all hardware to the recommended torque specifications listed on the table on the first page.



Step 6

If your bull bar is not equipped with lights skip to step 8.

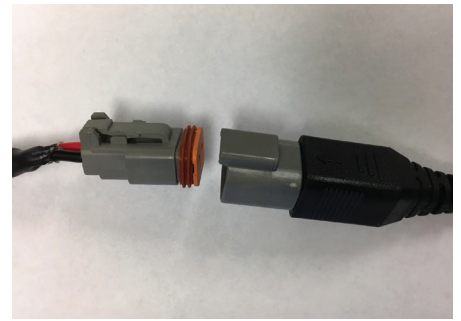
NOTICE

If the LED lights are being used with a 24V system, the 12V relay will need to be replaced with a 24V unit.

Disconnect the supplied switch from the wire harness and install in desired location.

With the switch installed, route the wire harness to the LED lights and the switch. Reconnect the blue, red, and black spade connectors to the switch as shown. The black wire connects to the gold switch terminal.

Plug the male connector on the wire harness into the female connector attached to the LED lights



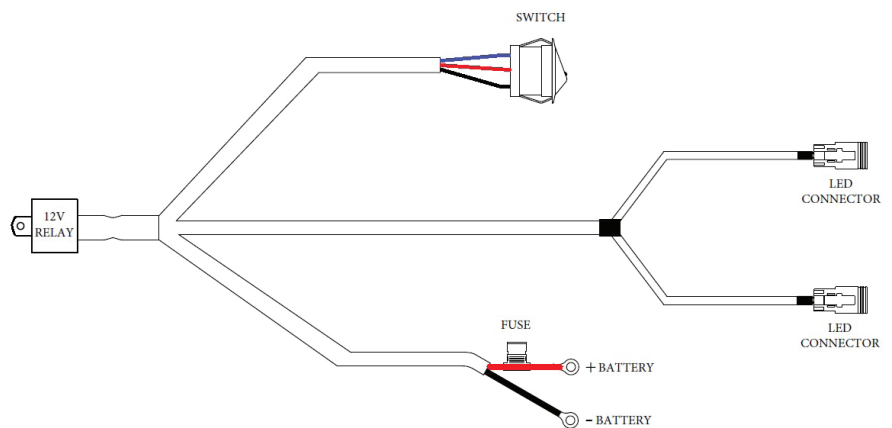
Step 7

Connect the red fused wire with the ring terminal to the positive battery post.

Connect the black wire ring terminal to the negative battery post or other suitable vehicle ground point.

Mount the supplied relay to the vehicle and secure all wires with zip ties away from moving parts to avoid damage.

Test the lights to ensure proper function.



Step 8

Congratulations on the installation of your new ARIES AdvantEDGE bull bar.

With the bull bar installed, periodic inspections should be performed to ensure all mounting hardware remains tight.

To protect your investment, see the 'Notes and Maintenance' section on the first page of this instruction manual.

