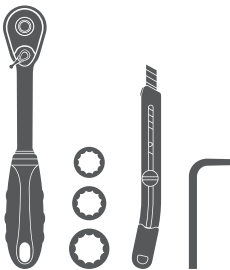


Parts List

1	Grille guard
1	Driver / left frame mounting bracket
1	Passenger / right frame mounting bracket
1	Driver / left support bracket
1	Passenger / right support bracket
1	LED support flange
4	Hex bolt, 8mm
6	Flat washer, 8mm
2	Lock washer, 8mm
2	Clip nut, 8mm
2	Nylock nut, 8mm
4	Hex bolt, 10mm x 30mm
2	Hex bolt, 10mm x 80mm
10	Flat washer, 10mm
2	Lock washer, 10mm
4	Nylock nut, 10mm
2	Double bolt plate, 12mm
4	Flat washer, 12mm
4	Nylock nut, 12mm
4	Spacer

Tools Required

Ratchet	Socket, 17mm
Socket, 13mm	Socket, 19mm
Utility knife	Allen wrench, 6mm



Level of Difficulty

Easy



Scan for helpful install tips

Product Image



Notes and Maintenance

Before you begin installation, read all instructions thoroughly.

Proper tools will improve the quality of installation and reduce the time required.

For black finishes, mild soap may be used to clean the product.

Step 1

Select an LED light, mounting hardware and brackets (sold separately). Attach the hardware to the support flange.

Note: LED manufacturers may have different mounting styles or brackets. Once the mounting option is determined, attach it to the support flange.



Step 2

With the LED light attached to the support flange, place a clip nut on both ends of the support flange.

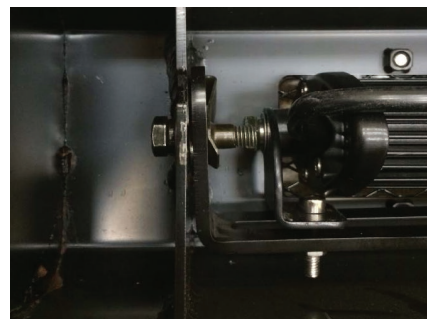
Insert an 8mm hex bolt, lock washer and flat washer into the clip nut. Leave enough space between the flat washer and clip nut to slot the support flange into the light bar cage on the grille guard.



Step 3

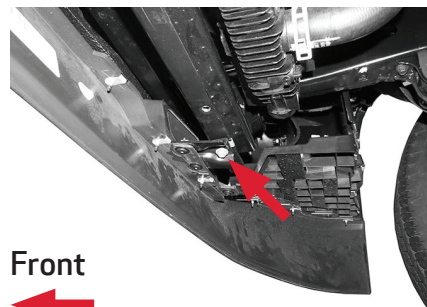
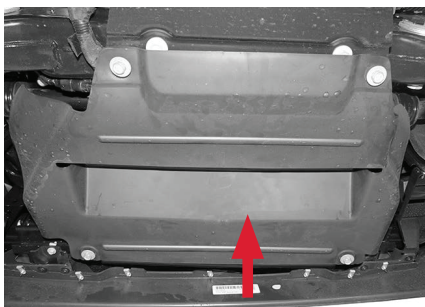
Place the grille guard face down on a flat, stable work surface.

Insert the support flange into the light bar cage on the grille guard and ensure the flat washer, lock washer and head of the hex bolt are on the outside of the center flange.



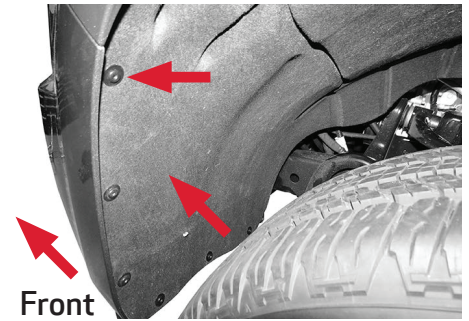
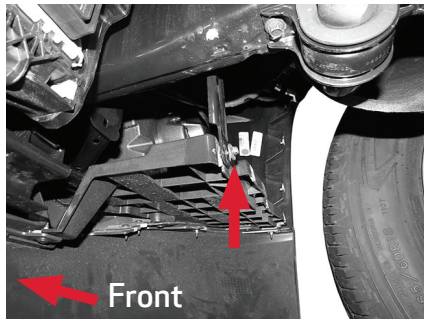
Step 4

Remove the skid plate from the underside of the vehicle and remove the hardware securing the lower portion of the bumper cover.



Step 5

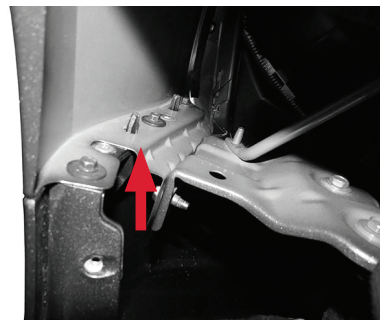
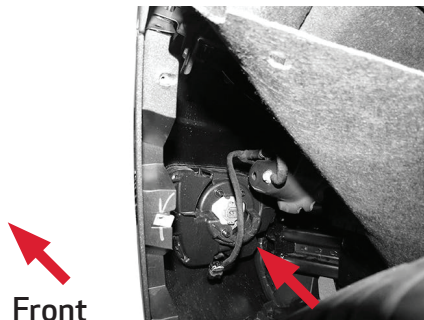
Remove the plastic fill panel on both the driver and passenger sides of the vehicle. Remove the front portion of the fender liner.



Step 6

Pull back the fender liner and unplug any lights attached to the front bumper.

Finish removing the hardware attaching the bumper cover to the fender.

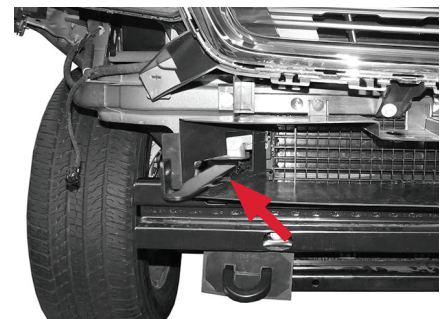
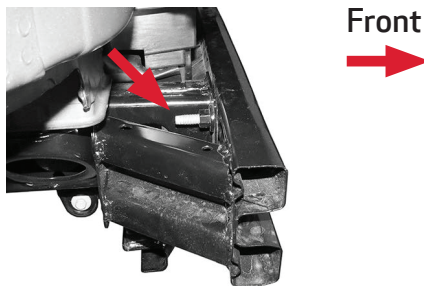


Step 7

With the front bumper cover removed, locate and remove the top frame bolt on the front bumper.

Insert a 10mm x 80mm hex bolt in through the mounting tab of the support bracket. Slide a tube spacer over the thread of the bolt. Carefully cut the lower section of the air deflector to allow the support bracket to be installed.

Install the passenger-side support bracket. Repeat this process for the driver side.



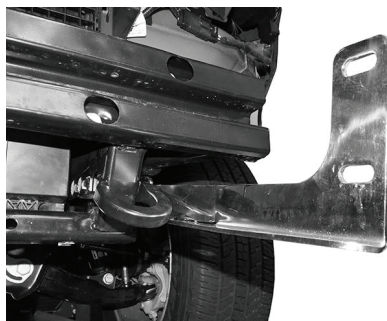
Step 8 - For vehicles with factory tow hooks

Locate and remove the driver-side tow hook.

Align the tow hook and mounting locations. Insert a double bolt plate in through the center of the vehicle.

Secure the bracket to the frame of the vehicle using two 12mm flat washers and two 12mm nylock nuts. Repeat this process on the passenger side.

With the driver-side and passenger-side lower frame brackets installed, reinstall the front bumper cover, fender liner, plastic fill panel and skid plate.

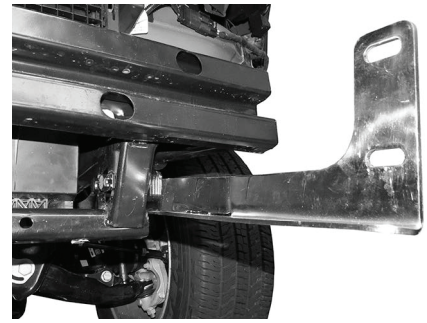
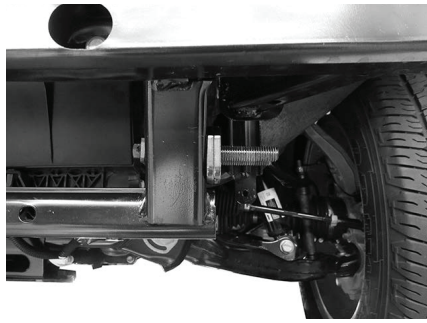


Step 9A - For vehicles without factory tow hooks

Insert a double bolt plate into the frame mount location.

Place two spacers on the outside of the frame mount location and place the driver side mounting bracket up to the spacers.

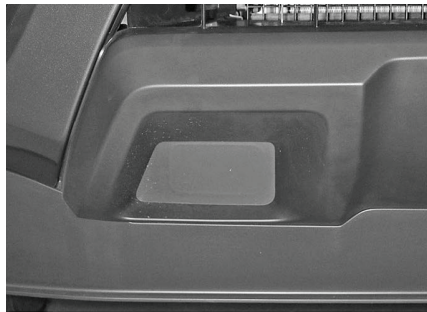
Secure the bracket using two 12mm flat washers and two 12mm nylock nuts. Repeat this process for the passenger side.



Step 9B - For vehicles without factory tow hooks

Cut openings in the front bumper to allow the mounting bracket to fit through.

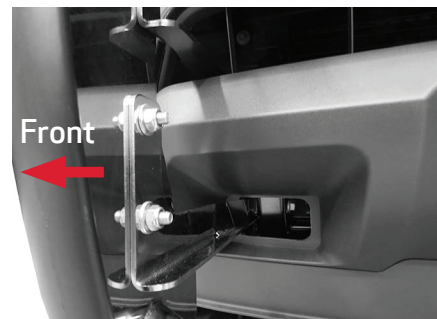
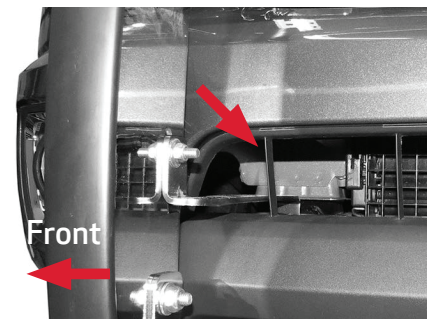
Reinstall the front bumper cover, fender liner, plastic fill panel and skid plate.



Step 10

Secure the top support brackets to the grille guard using an 8mm hex bolt and 8mm flat washer on the outside of the grille guard and an 8mm flat washer and 8mm nylock nut on the inside, for both the driver and passenger sides.

To secure the lower frame brackets to the grille guard, use a 10mm hex bolt and 10mm flat washer on the outside of the grille guard and a 10mm flat washer and 10mm nylock nut on the inside for both driver and passenger-side mounting points.



Step 11

Once the grille guard is aligned, tighten all hardware.

Congratulations on the installation of your new ARIES Pro Series™ grille guard.

With the grille guard installed, periodic inspections should be performed to ensure all mounting hardware remains tight.

To protect your investment, see the 'Notes and Maintenance' section on the first page of this instruction manual.



Parts List

1	LED light bar, 10"
1	Mounting bracket, left
1	Mounting bracket, right
1	Wiring harness
2	Security screw, M6 - 1.0 x 25mm
2	Rubber spacer, M6
2	Flat washer, M6
2	Hex head cap screw, M8 - 1.25 x 18mm
2	Flat washer, M8
2	Nylock nut, M8 -1.25mm
1	Security screw L-wrench
1	15-amp fuse, pre-installed

Step 1

Mount the LED light in the desired location with a rubber spacer between the mounting surface and each bracket.

Note: If this light bar is being used with a 24V system, the relay will need to be replaced with a 24V unit.

Disconnect the supplied switch from the wiring harness and install in the desired location.

Step 2

Once the LED light bar and switch are installed, route the wiring harness to the light. Insert the male plug on the wiring harness into the female socket on the LED light. Reconnect the blue, red and black spade connectors to the switch (see the wiring diagram).

Step 3

Connect the red fused wire with the ring terminal to the positive (+) battery post. Connect the black wire ring terminal to the negative (-) battery post or other suitable vehicle grounding point.

Step 4

Mount the provided relay to the vehicle and secure all wires with zip ties away from moving parts to avoid damage. Test the light to ensure proper function.

Level of Difficulty

Easy

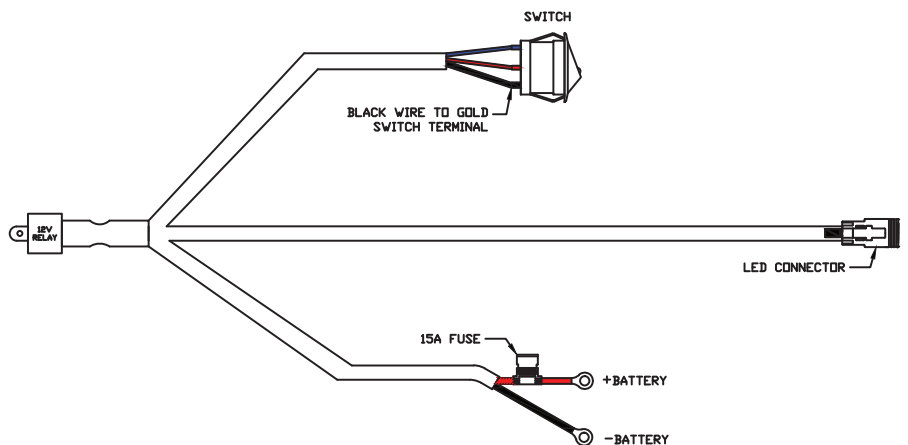


Scan for helpful install tips

Product Image



Wiring Diagram



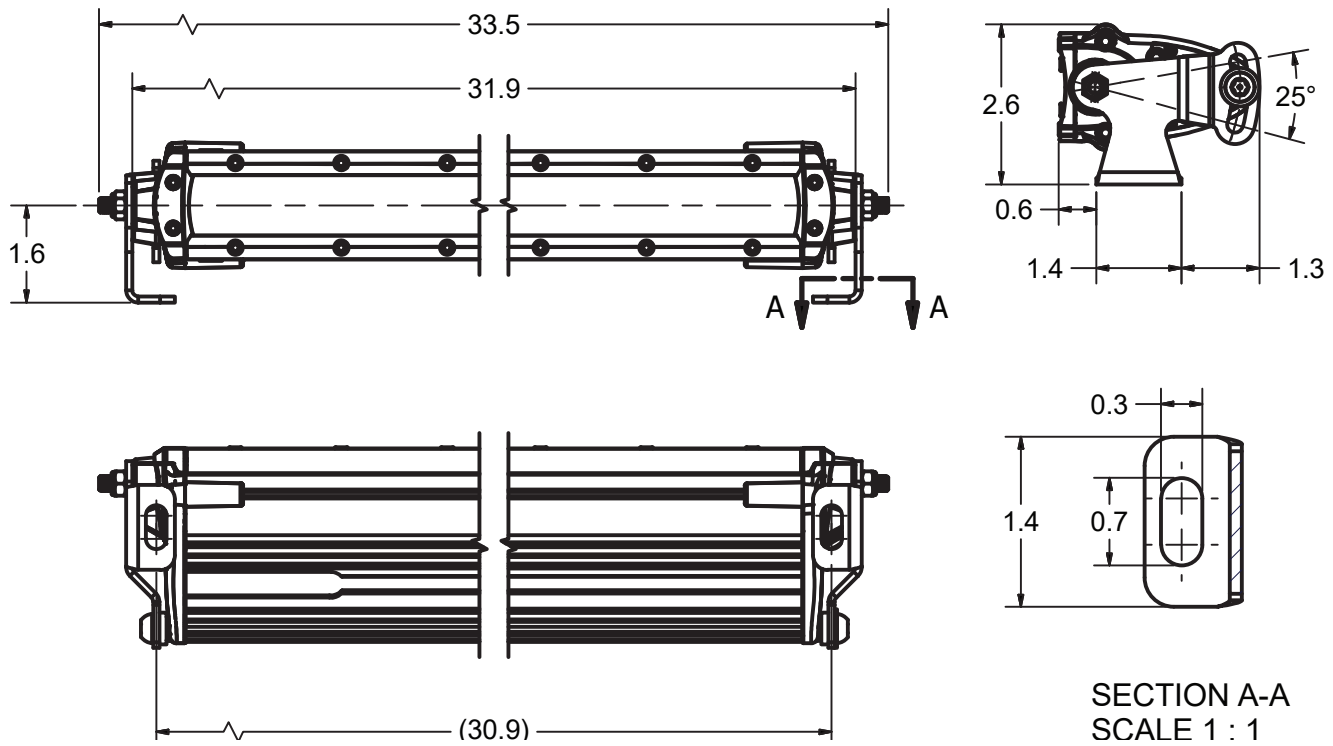
Notes and Maintenance

Before you begin installation, read all instructions thoroughly.

Periodic inspection of all wires and connections should be performed to ensure there is no visible damage or loose connections.

WARNING: Improper electrical installation may damage electronic components resulting in personal injury, property or equipment damage. Damaged caused by incorrect installation is not covered by warranty. Installation should only be performed by qualified personnel with a solid understanding of electrical systems.

Basic Dimensions



Mounting Illustration

