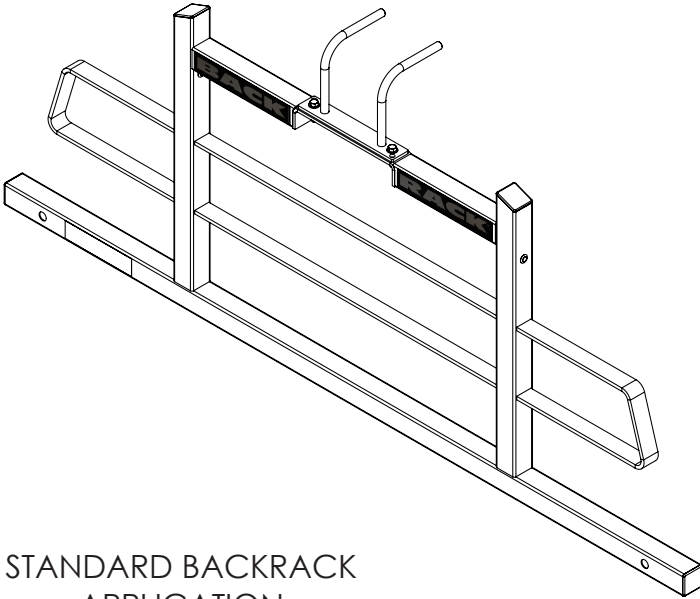


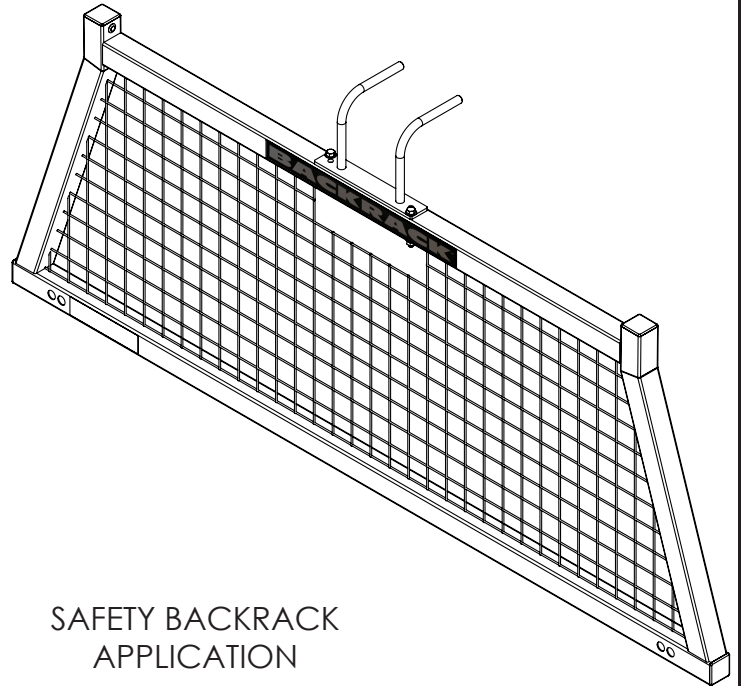
BACKRACK™

FUNCTION AND STYLE FOR TODAY'S TRUCKS

INSTALLATION INSTRUCTIONS : BACKRACK KIT #42015
LADDER BRACKET ACCESSORY

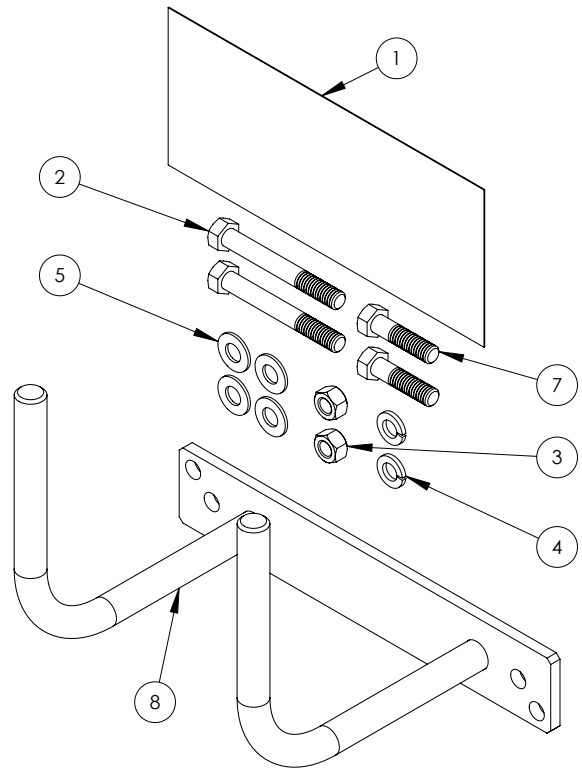


STANDARD BACKRACK APPLICATION



SAFETY BACKRACK APPLICATION

#	PART	DESCRIPTION	QTY
1	INST000	Installation Instructions	1
2	FYZ006	3/8"-16 X 3" Hex Bolt Grade 5	2
3	FYZ001	3/8"-16 Hex Nut	2
4	FYZ002	3/8" Lock Washer	2
5	FYZ003	3/8" Flat Washer	4
6	DB9X8ET	Poly Bag	1
7	FYZ004	3/8"-16 X 1.5 Hex Bolt Grade 5	2
8	AC0025	Ladder Mount Bracket	1

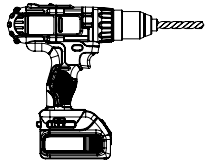


FOR MORE INFORMATION SCAN HERE!



BACKRACK™

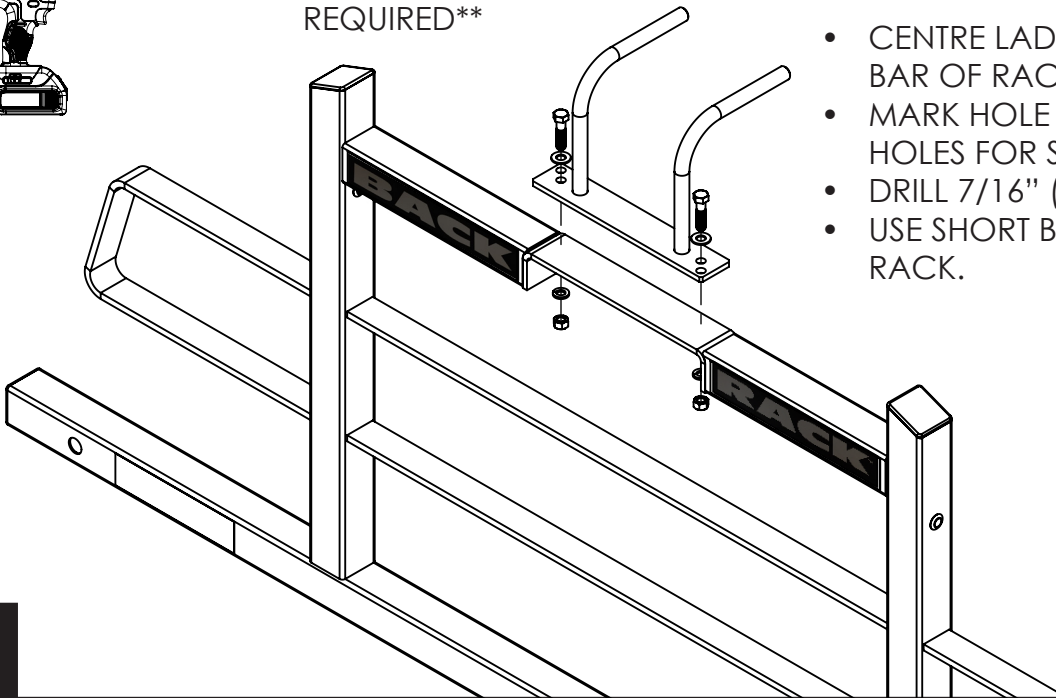
FUNCTION AND STYLE FOR TODAY'S TRUCKS



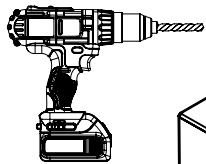
****DRILLING OPERATION
REQUIRED****

INSTRUCTIONS:

- CENTRE LADDER BRACKET ON TOP BAR OF RACK.
- MARK HOLE POSITIONS, USE INLINE HOLES FOR STANDARD RACK.
- DRILL 7/16" (CLEARANCE FOR 3/8").
- USE SHORT BOLTS FOR STANDARD RACK.



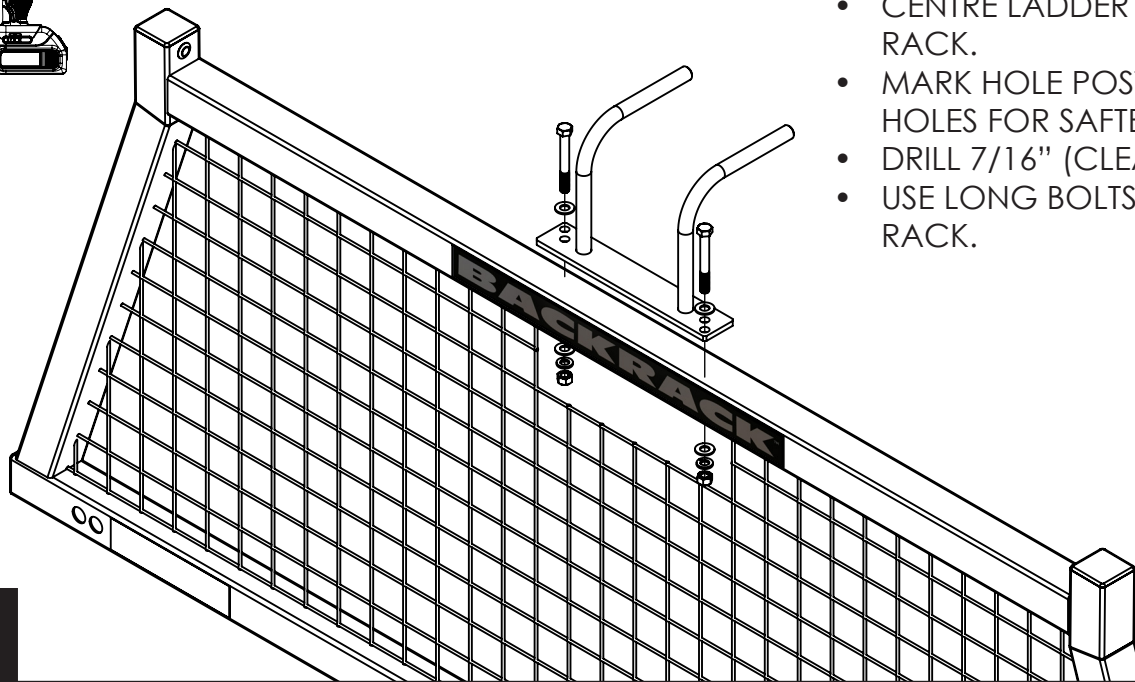
1



****DRILLING OPERATION
REQUIRED****

INSTRUCTIONS:

- CENTRE LADDER BRACKET ON RACK.
- MARK HOLE POSITIONS, USE OFFSET HOLES FOR SAFETY RACK.
- DRILL 7/16" (CLEARANCE FOR 3/8").
- USE LONG BOLTS FOR SAFETY RACK.



2

ATTENTION:

THE USE OF THE BACKRACK LADDER BRACKET IS NOT INTENDED TO REPLACE PROPER TIE DOWN PRACTICES. SECURE ALL CARGO PROPERLY USING TIE DOWN TECHNIQUES WITH CORRECTLY RATED STRAPS.