

# BOLT®

BREAKTHROUGH ONE-KEY LOCK TECHNOLOGY

## JK HOOD LOCK KIT

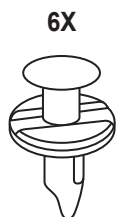
FOR SPANISH AND FRENCH TRANSLATIONS GO TO:  
[HTTP://WWW.BOLTLOCK.COM/ABOUT-STRATTEC/BOLT-LITERATURE](http://www.boltlock.com/about-strattec/bolt-literature)

ENCUENTRA INSTRUCCIONES DE ENSAMBLE EN ESPAÑOL EN EL WEBSITE:  
[HTTP://WWW.BOLTLOCK.COM/ABOUT-STRATTEC/BOLT-LITERATURE](http://www.boltlock.com/about-strattec/bolt-literature)

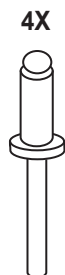
POUR INSTRUCTIONS EN FRANÇAIS, VISITEZ  
[HTTP://WWW.BOLTLOCK.COM/ABOUT-STRATTEC/BOLT-LITERATURE](http://www.boltlock.com/about-strattec/bolt-literature)



CODE LOCK CYLINDER  
BEFORE INSTALLING  
JK HOOD LOCK IN JEEP



6X  
PLASTIC  
SNAP SCREWS



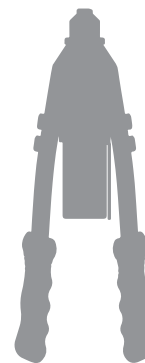
4X  
1/4" RIVETS



PHILLIPS HEAD  
SCREWDRIVER

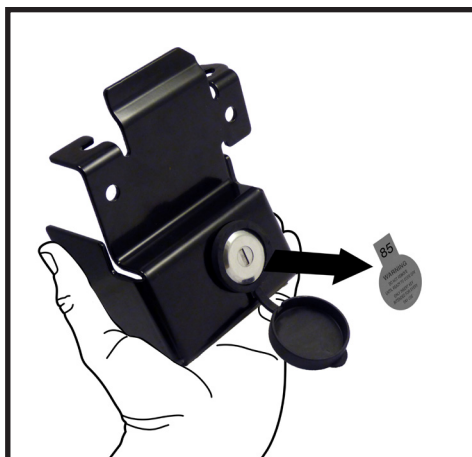


FLATHEAD  
SCREWDRIVER

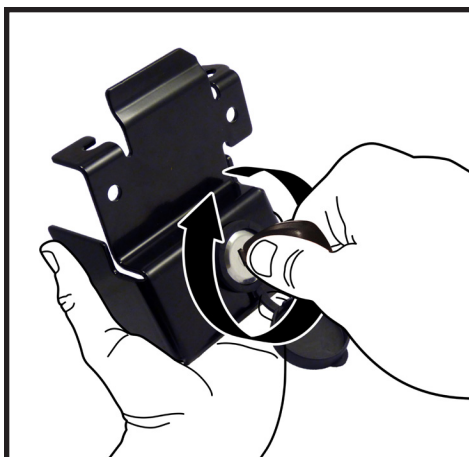


RIVET GUN

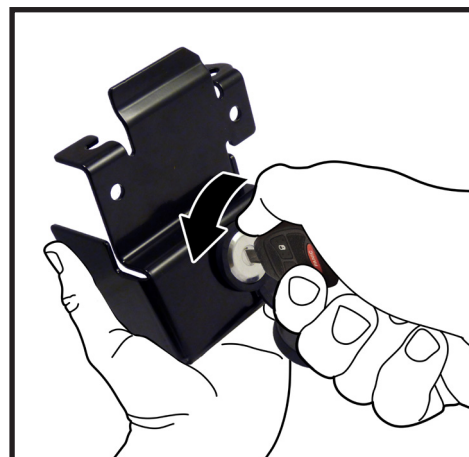
### INSTRUCTIONS FOR CODING LOCK CYLINDER



READ AND REMOVE WARNING STICKER - REMOVE KEY FROM KEY CHAIN - KEEP HAND/FINGERS AWAY FROM PIVOTING LOCK ARM WHILE CODING



DO NOT PULL UP/DOWN ON KEY WHILE CODING WHILE MAINTAINING FULL KEY INSERTION, TURN THE KEY CLOCKWISE UNTIL IT STOPS - THE LOCK IS NOW CODED TO YOUR KEY!

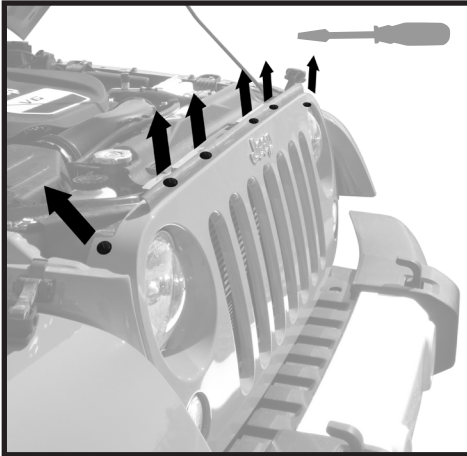


TURN KEY LEFT APPROX 1/4 TURN TILL IT STOPS, THE LOCK IS NOW IN THE UNLOCKED POSITION - KEEP LOCK IN THIS STATE DURING INSTALLATION - THE KEY CANNOT BE REMOVED WHILE IN THE UNLOCKED POSITION

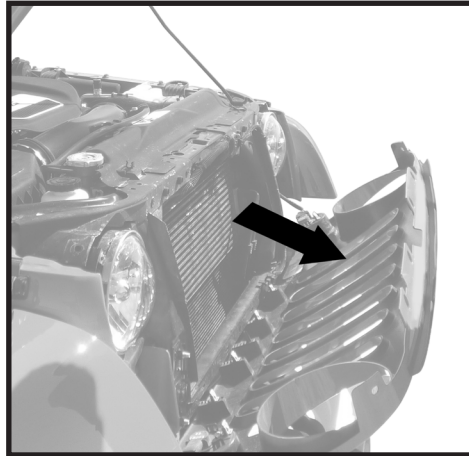


# DO NOT INSTALL THE HOOD LOCK BEFORE THE LOCK CYLINDER IS CODED TO YOUR KEY

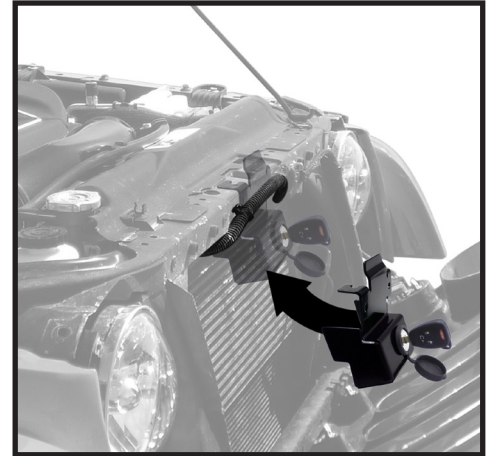
## INSTRUCTIONS FOR INSTALLATION



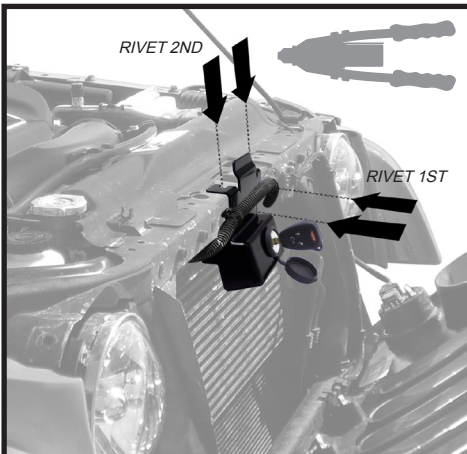
OPEN HOOD; USING A FLAT HEAD SCREWDRIVER REMOVE THE 6 PLASTIC SNAP SCREWS FROM THE TOP OF THE GRILL



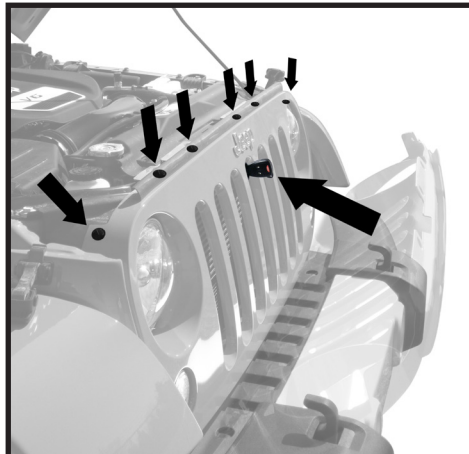
PULL GRILL FORWARD AND DOWNWARD TO UNHINGE THE SNAPS ALONG THE BOTTOM  
*YOU CAN INSTALL THE LOCK WITH GRILL IN THIS POSITION, IF YOU WISH TO REMOVE COMPLETELY YOU MUST FIRST DISCONNECT THE FOG LIGHTS IN THE BOTTOM CORNERS OF THE GRILL*



IN THE CENTER OF THE GRILL REMOVE ONE HOSE CLAMP SNAP TO ALLOW THE HOOD LOCK TO BE POSITIONED BEHIND IT



LINE UP THE MOUNTING HOLES IN JK HOOD LOCK WITH EXISTING HOLES ON THE VEHICLE FRAME - USING THE RIVET GUN INSTALL THE 4 RIVETS IN PLACE - START WITH THE 2 FRONT HOLES AS SHOWN - REATTACH HOSE CLAMP



POSITION THE GRILL BACK INTO PLACE USING 6 NEW SNAP SCREWS PROVIDED  
*IF GRILL WAS REMOVED REMEMBER TO RECONNECT THE FOG LIGHTS*



CLOSE AND LATCH HOOD SHUT, TURN KEY TO THE RIGHT TO LOCK THE HOOD AND REMOVE YOUR KEY