

Installation Instructions

5542xxxxxx Series Pull-Style Tarp System with Spring Assist



Section 1 – Determine the width of the application (if pre-assembled skip ahead to Section 4)

1. Measure the distance between the two surfaces that the Side Plates will be mounted.
2. The Wind Deflector must be as long as this measurement. Cut if needed. **(NOTE: Be sure to make all cuts clean and straight to ensure proper performance of the system)**
3. The Main Axle must be 2” shorter than the Wind Deflector. Measure and cut if needed. **(Note: Be sure to make all cuts clean and straight to ensure proper performance of the system)**

Section 2 – Assembling the Head Assembly components

1. Using (4) 5/16-18 X 7/8 Button Head Screws, attach the End Bushing to the DS Side Plate. Be sure to orient the End Bushing so the slot opening faces the edge of the Side Plate without holes. **Fig. 1 and 2. NOTE: Each side plate has PVC film on one side that is intended to protect the finish until installation is complete. The End Bushings should be installed on the side opposite the PVC film.**
2. Attach the DS Side Plate to the Deflector using (5) 1/4-20 X 1 Thread Cutting Screws. **Fig. 2 NOTE: Each side plate has a PVC film on one side that is intended to protect the finish until installation is complete. The Side Plates should be installed so the PVC film faces outward.**
3. Preassemble the DS Spring, Bushing, and Anti-rattle Tube. Insert the DS Spring through the Bushing and rotate the end then install (1) 1/4-20 x 3/8, Pan Head Screw with Lock Washer as shown in Fig 3. **NOTE: The DS Spring can be identified by the right hand winding Fig 4.**

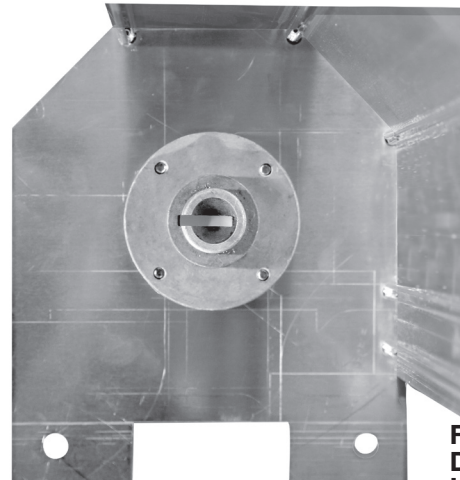


Fig. 1
Drivers Side
Inside

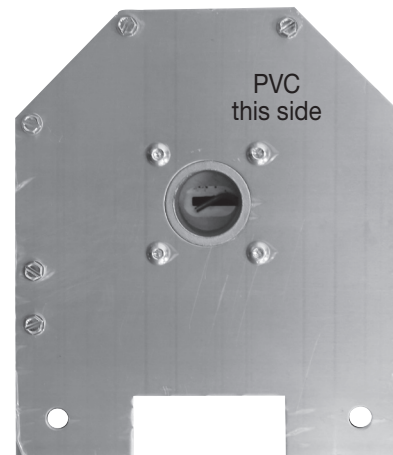


Fig. 2
Drivers Side
Outside

4. Preassemble the PS Spring, Bushing, and Anti-rattle Tube using (1) 1/4-20 x 3/8, Pan Head Screw with Lock Washer. **Fig. 3.**
5. Insert these assemblies into the main Roller Axle.
6. Install the End Caps onto the main Roller Axle. **Fig. 5**
7. Mount the DS Spring onto the End Bushing.
 - a. Pull the DS Spring out of the Roller Axle and feed it onto the End Bushing and twist in place. Fig 6 Hint: It **may be helpful to temporarily put a screwdriver or similar into the slot behind the spring end to ensure the spring stays in place during assembly**
8. Attach but **DO NOT FULLY TIGHTEN** the PS Side Plate to the Deflector using (5) 1/4-20 X 1 Thread Cutting Screws.
9. Attach the PS Spring to the End Bushing and mount the End Bushing to the PS Side Plate using (4) 5/16-18 X 7/8 Button Head Screws. **Fig. 7**
10. Install the End Bushing into the PS Side Plate and then fully tighten the PS Side Plate the Deflector. **NOTE: Check to ensure that the Main Axle turns freely. If after turning it back and forth a couple times it remains tight, loosen a Side Plate slightly until it frees up.**

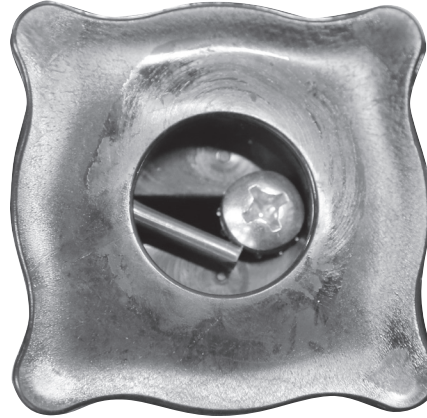


Fig. 3
Drivers Side/
Spring End
Inside



Fig. 4
Drivers Side
Outer Spring End

Section 3 – Mounting the Tarp

1. Unfold the Tarp and identify the end with grommets at the edge. This end will be attached to the Main Axle.
2. Feed the Rear Tube through the pocket in the other end and install the Bumpers to hold the Rear Tube centered about the Tarp.
3. Next the springs must be preloaded.

WARNING: Due to the spring force, this step will require at least 2 people.

- a. Preloading the springs is accomplished by rotating the Main Axle upward and into the Deflector. **Fig. 8** (CCW when looking at the outside of the DS Side Plate)
 - b. Preload the springs 23 full rotations. **HINT: It is helpful to use a marker or pen and mark the Main Axle as a reference point when counting.**
 - c. Once preloaded, wrap the Tarp under and around the main axle until the grommets line up with a threaded channel, center the Tarp on the Main Axle and attach using (5) 5/8-18 x 5/8 Button Head Screws and 5/8 Flat Washers. **Fig 9**
4. After attaching tightening the Tarp hardware, slowly let the Tarp retract until the Rear Tube is held against the Side Plates



Fig. 5
Drivers Side
End Cap

Section 4 – Installing the Head Assembly

1. Set the Head Assembly in place and use the two holes in the bottom of the side plates as guides for marking the mounting holes. **NOTE: The inside width of the Head Assembly MUST be the exact width of the mounting location. If different, shims must be used.**
2. Drill mounting holes for 1/2" hardware at the marked locations.



Fig. 6
Drivers Side
Spring Mount

3. Mount the Head Assembly using the included 1/2" HHCS, washers and locknuts.

Section 5 – Attaching the Pull Rope and Rope Hooks

1. Feed the end of the rope through the center grommet in front of the Rear Tube, wrap the rope around the Tube, then attach the hook to the rope and pull to remove slack.
2. Two sets of hooks are provided with the kit for securing the rope when not in use. **NOTE: Hardware is not included**
 - a. One set of hooks should be installed (bolted or welded) on the driver's side of the box, near the Head Assembly. These will be used when the tarp is retracted.
 - b. The second set of hooks should be installed at the tailgate or end of the box. These will be used when the tarp is extended.

Section 6 – Attaching the Rear Tube Hook Plates

1. The Hook Plates should be bolted or welded to the rear of the box or tailgate. Be sure to mount them so that the bumpers will fit between them and allow the Rear Tube to seat fully in the hook area. **NOTE: Hardware is not included**

Section 7 – Extending the Tarp

1. Untie the Pull Rope from the front set of hooks
2. Walk the rope to the back of the truck
3. Pull the rope to extend the Tarp enough so that the Rear Tube is below the Hook Plates and slowly release rope until the Rear Tube is fully seated in the Hooks.
4. Tie off the Rope on the Rope Hooks

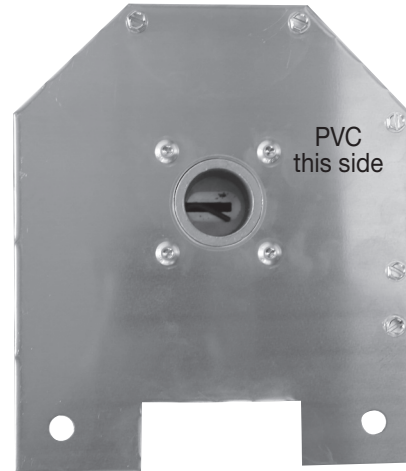
Section 8 – Retracting the Tarp

1. Untie the Pull Rope from the rear set of hooks
2. Pull the Rope so that the Tarp extends slightly and Rear Tube clears the Hook Plates
3. Slowly release the Rope in a controlled motion and let the Tarp retract itself
4. Tie off the Rope on the front set of hooks

Section 9 – Changing Spring Tension

WARNING: Due to the spring force, these steps will require at least 2 people.

1. Adding Spring Tension
 - a. Pull out Tarp until the Button Head Screws are exposed and remove them. **Fig. 9**
 - b. Rotate the Main Axle upward and into the Deflector 1 to 4 more rotations. **Fig. 8** (CCW when looking at the outside of the DS Side Plate) **NOTE: Adding only 1 full rotation at a time is recommended.**
 - c. Reattach the Tarp
2. Removing Spring Tension
 - a. Pull out Tarp until the Button Head Screws are exposed and remove them. **Fig. 9**
 - b. Rotate the Main Axle downward and away from the top of the Deflector the desired number of rotation. **Fig. 8** (CW when looking at the outside of the DS Side Plate) **NOTE: Removing only 1 full rotation at a time is recommended.**
 - c. Reattach the Tarp



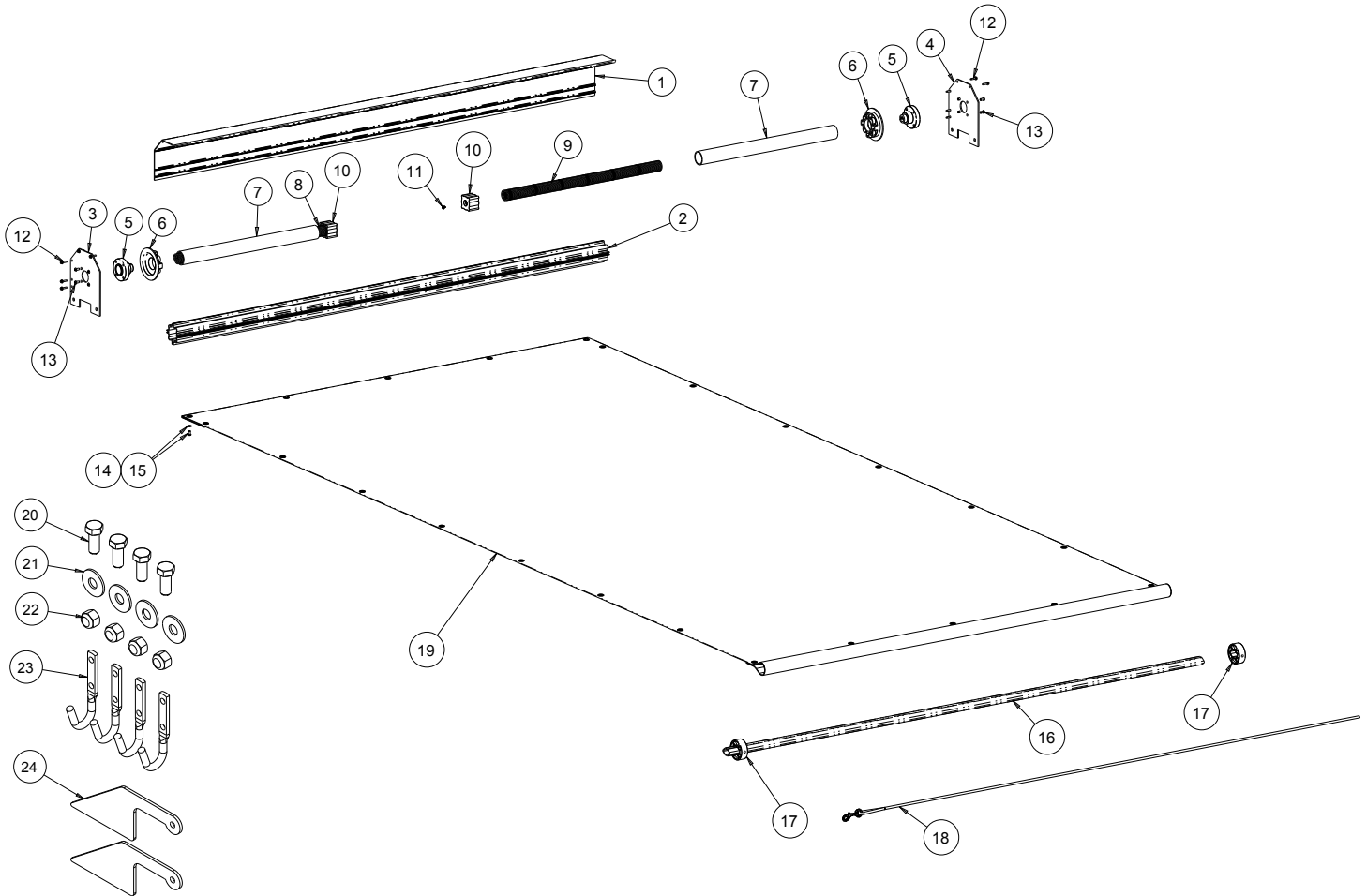
**Fig. 7
Passenger
Side
Assembled**



**Fig. 8
Preloading
Spring**



**Fig. 9
Tarp
Install**



Parts List

ITEM	PART NO.	QTY	DESCRIPTION
1	3029690	1	DEFLECTOR,FULL TOP 96IN
	3029691		DEFLECTOR,FULL TOP 91IN
	3033314		DEFLECTOR,FULL TOP 88IN
	3029692		DEFLECTOR,FULL TOP 82IN
	3029693		DEFLECTOR,FULL TOP 76IN
	3029694		DEFLECTOR,FULL TOP 64IN
2	3029683	1	AXLE,ROLLER,MULTI-MOUNT 94IN
	3029684		AXLE,ROLLER,MULTI-MOUNT 89IN
	3033313		AXLE,ROLLER,MULTI-MOUNT 86IN
	3029685		AXLE,ROLLER,MULTI-MOUNT 80IN
	3029686		AXLE,ROLLER,MULTI-MOUNT 74IN
	3029687		AXLE,ROLLER,MULTI-MOUNT 62IN
3	3026457	1	PLATE,END,TARP DS
4	3026458	1	PLATE,END,TARP PS
5	3026459	2	BUSHING,END MOUNT,TARP ROLLER
6	3026456	2	CAP,END,TARP ROLLER
7	3026455	2	TUBE,ANTI RATTLE
8	3026460	2	CAP,END,TARP SPRING
9	3026454	1	SPRING,TARP,TORSION LH (PASSENGER)
10	3026453	1	SPRING,TARP,TORSION RH (DRIVER)
11	BCC01005	2	SCREW,MACHINE,1/4-20 X 3/8 W/ LOCK WASHER
12	3014109	10	SCREW,THREAD CUTTING,1/4-20 X 1 SST
13	3026464	8	SCREW,BTN HD SOC CAP 5/16-18X7/8
14	3014225	5	SCREW,BTN HD SOC CAP 5/16-18X5/8
15	FWF031075006	5	WASHER,FLAT 5/16in SAE
16	3011869	1	TUBE,REAR
17	3012786	2	BUMPER,ARM
18	3008225	1	ROPE ASSEMBLY,20FT LONG

ITEM	PART NO.	QTY	DESCRIPTION
19	3008209	1	TARP, 7.50ft X 15.00ft,BLACK MESH
	3011353		TARP, 7.50ft X 15.00ft,BLACK SOLID VINYL
	3008210		TARP, 7.00ft X 15.00ft,BLACK MESH
	3011352		TARP, 7.00ft X 15.00ft,BLACK SOLID VINYL
	3008976		TARP, 6.50ft X 15.00ft,BLACK MESH
	3009455		TARP, 6.00ft X 14.00ft,BLACK MESH
	3011034		TARP, 5.00ft X 12.00ft,BLACK MESH
20	3009878	4	SCREW,CAP 5/8-11 X 1.5 GR8, ZN
21	3000144	4	WASHER, FLAT - 5/8 USS ZN
22	FNE063011069	4	NUT,NYLON LOCKING,5/8-11, ZN
23	B2448C	4	HOOK,BINDING, ZINC PLATED
24	3029712	2	PLATE,CATCH,TARP ARM

WARRANTY

Buyers Products Co. warrants all truck/trailer hardware manufactured or distributed by it, to be free from defects in material and workmanship for a period of one year from date of shipment. Parts must be properly installed and used under normal conditions. Any product which has been altered, including modification, misuse, accident or lack of maintenance will not be considered under warranty. Normal wear is excluded. The sole responsibility of Buyers Products Co. under this warranty is limited to repairing or replacing any part or parts which are returned, prepaid, and are found to be defective by Buyers Products Co. Authorization from Buyers Products Co. must be obtained before returning any part. No charges for transportation or labor performed on Buyers' products will be allowed under this warranty.