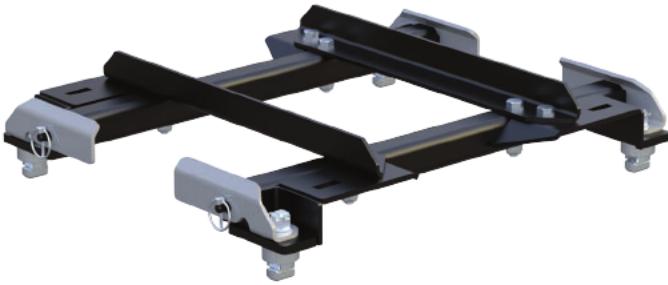


INSTALLATION INSTRUCTIONS

⚠ WARNING: NEVER EXCEED YOUR VEHICLE MANUFACTURER'S RECOMMENDED TOWING CAPACITY

GM OEM PUCK SYSTEM 5TH WHEEL ROLLER ADAPTER

Provide this manual, in its entirety, to the end-user



PARTS LIST

Item#	Qty	Description
1	1	Front support assembly
2	2	Angle cross support
3	1	Rear support assembly
4	4	Hex head cap screw, M14 x 2.75, CL8.8
5	8	Nylock nut, M14 x 2, CL8.8
6	4	Hex head cap screw, M14 x 2.35, CL8.8
7	4	Hitch pin, 1/2" x 2"
8	4	Clip

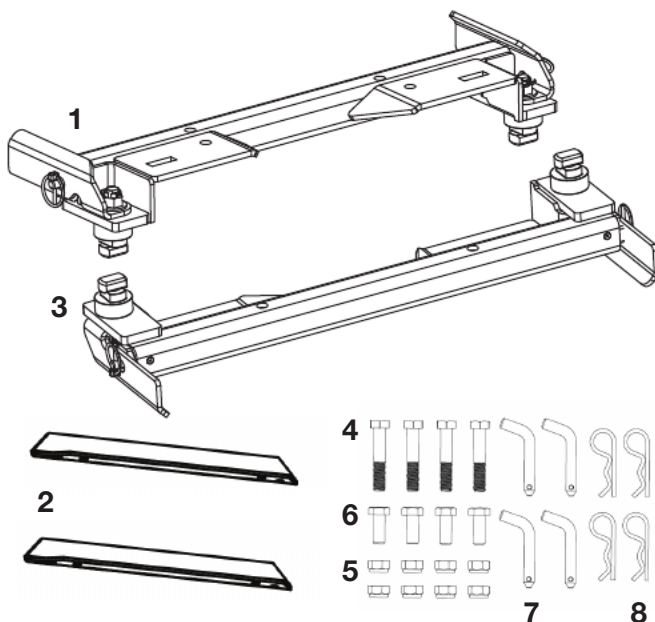
WARNINGS

Provide this manual, in its entirety, to the end-user. Read and understand instructions before using this product. Fully instruct and demonstrate the operation of this 5th wheel hitch to the end user. Include the importance of observing all warnings contained herein, including warning labels on 5th wheel hitch mid section. Serious injury or death may result if the warnings below are not observed.

To avoid serious injury, do not expose hands, body parts or clothing between the truck and trailer or the truck's bed sides and trailer. Extreme care should be observed to avoid serious injury to self, property and observers.

Never exceed the rated towing capacity of the tow vehicle. Trailer and contents combined must not exceed tow vehicle, hitch and / or trailer tow ratings. Exceeding rated capacity may result in separation and / or may result in damage to 5th wheel hitch, towing vehicle, trailer or cause death or serious injury.

Never position yourself or others under the trailer's kingpin area (danger zone) during coupling and uncoupling. Improperly coupled trailers can separate and drop without notice.



ASSEMBLY

Step 1

Prepare the 16023 roller adapter for assembly by locating the hardware bag, front and rear support assemblies (#1, #3) and the two angle cross supports (#2). Loosely assemble the front and rear assemblies with the supplied hardware and angle supports as show in figure 1.

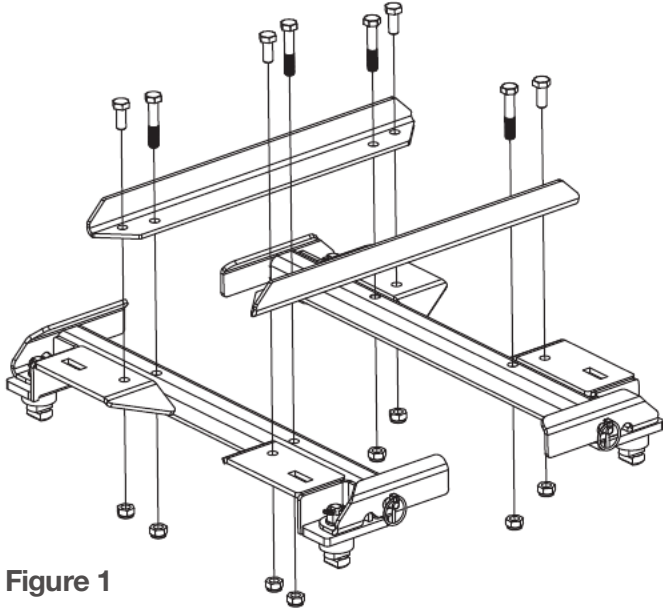


Figure 1

Step 2

Remove the four lynch pins securing the locking handles to the support assemblies. Swing all four handles completely open and lower the assembly into position in the bed of the truck as shown in figure 2. Ensure all four locking bolts and spacers drop into the mounting holes before attempting to close the handles.

NOTE: The rear mounting locations are larger than the two front mounts. Be sure to orient the large locking feet towards the rear of the vehicle.

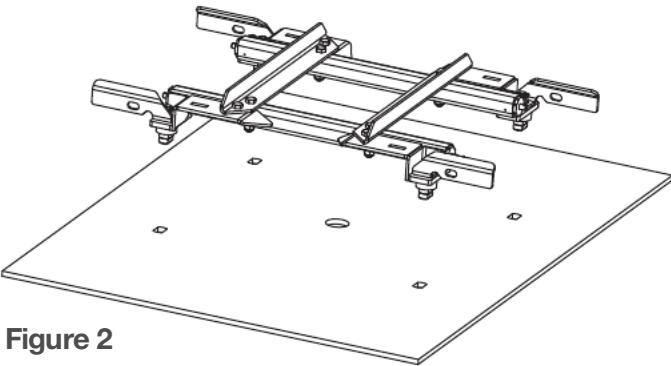


Figure 2

Step 3

With the 16023 adapter secured in the truck bed mounts, rotate the handles back to the closed position. Secure the handles by re-inserting all four lynch pins. See figure 3.

NOTE: Slight resistance should be felt as the handles are rotated closed. If the handle will not close with moderate pressure, adjustments must be made to the locking T-bolt; see 'T-bolt Adjustment'.

Torque all eight M14 bolts to 100 ft. lbs. to finalize the assembly.

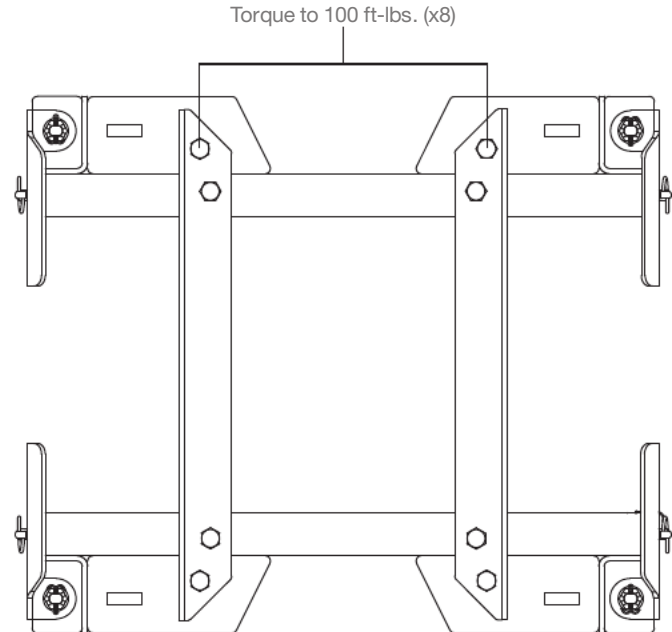


Figure 3

WARNING: Forcing the handle closed may damage the locking bolt and handle, possibly resulting in trailer detachment.

Step 4

With the 16023 adapter installed in the truck bed it is ready to accept the CURT roller. The 16023 is compatible with the following roller models: 16550, 16560, 16570. Secure the roller of your choice with the supplied hitch pins & clips (#7, #8). See figure 4.

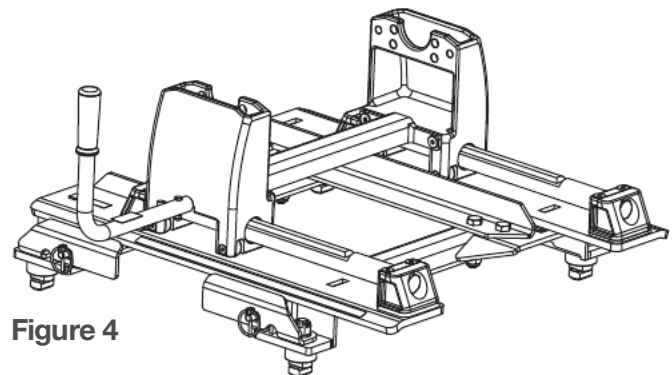


Figure 4

T-BOLT ADJUSTMENT

Step 1

The locking T-bolts have been pre-installed to ease installation of the 16023. Due to possible variation in the trucks mounting locations, some adjustments may be required. If one or more of the locking handles will not close, begin adjustment by removing the cotter pin securing the castle nut above the handle. See figure 5.

Step 2

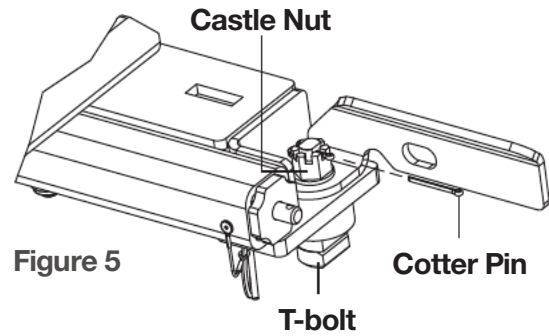
Loosen the castle nut a quarter-turn while pressing down on the T-bolt.

Step 3

Re-attempt to close the locking handle. If the handle closes, re-secure the castle nut with the removed cotter pin from step 1. If the handle does not close, repeat step 2.

Step 4

Confirm all four locking bolts are engaged in the truck bed mounts and the castle nuts are secured with the cotter pins. Finally, double check to ensure all four handles are securely locked with the lynch pins. The 16023 is now installed and ready for use.



CURT WARRANTY

CURT Manufacturing, LLC (CURT) warrants to the original purchaser (Purchaser), its products to be free from defect under normal use and service, ordinary wear and tear excepted, for the warranty period stated below, from the date of the original retail purchase, but subject to the limitations as set forth below.

LIMITATION ON WARRANTY

CURT's obligation under the above warranty is limited to repair or replacement of the CURT Product (Product), at its option due to a manufacturing defect of the Product. CURT shall not be liable for the loss of or use of vehicles, loss of or damage to personal property, expenses such as telephone, lodging, gasoline, towing, tire damage or any other incidental or consequential damages incurred by the Purchaser, or any other person or entity.

CURT will examine the returned Product. If CURT, in its exclusive discretion, determines that the defect or damaged Product is covered under this limited warranty, CURT will repair the Product or replace it at that time.

Alterations to or misuse of the Product will void the warranty. For example, overloading or exceeding an automobile or trailer manufacturers' weight ratings, or maneuvering motor vehicles equipped with Products at improper rate of speed, shall void the warranty on any of the Products. Failure to properly maintain and regularly inspect the Product according to the specific instruction sheet accompanying each Product shall also void the warranty.

Some states do not allow the exclusion or limitation of incidental or consequential damages. If such exclusions or limitations are prohibited under the applicable law, the above limitation or exclusion may not apply.

This Warranty gives you specific legal rights and you may also have other rights, which vary from state to state.

The Purchaser, when returning a CURT Product, must observe the following steps:

1. The Purchaser must have proof of purchase of any damaged Product and supply the same to the headquarters of CURT. The Purchaser must obtain from CURT (toll free number is 877-CURTMFG (877.287.8634)) a Returned Goods Authorization (RGA) number in order to return any damaged Product to CURT for inspection and evaluation under this Limited Warranty.
2. The Purchaser must pay all handling charges and shipping costs to deliver Products to CURT and must send the damaged Product along with the RGA number and proof of purchase to CURT at 6208 Industrial Drive, Eau Claire, Wisconsin 54701.
3. Upon receipt of damaged Product, CURT will determine whether the damaged Product is covered under the Limited Warranty. If it is, CURT will repair or replace the Product. If the Product is replaced, the Product that is originally returned by the Purchaser shall become the exclusive property of CURT. If the returned Product is not covered under the Limited Warranty, CURT will notify the Purchaser before taking any further action with regard to repair or replacement, which would be at the Purchaser's cost.