

INSTALLATION INSTRUCTIONS

WARNING: NEVER EXCEED YOUR VEHICLE MANUFACTURER'S RECOMMENDED TOWING CAPACITY

TRAY-STYLE BIKE RACK



WARNINGS

Failure to use support straps on trailer hitches with 1 1/4" receiver tubes voids the trailer hitch and bike rack warranties.

This product is not intended for off-road use, tandems or recumbents.

Do not install on a trailer, RV or other towed vehicle.

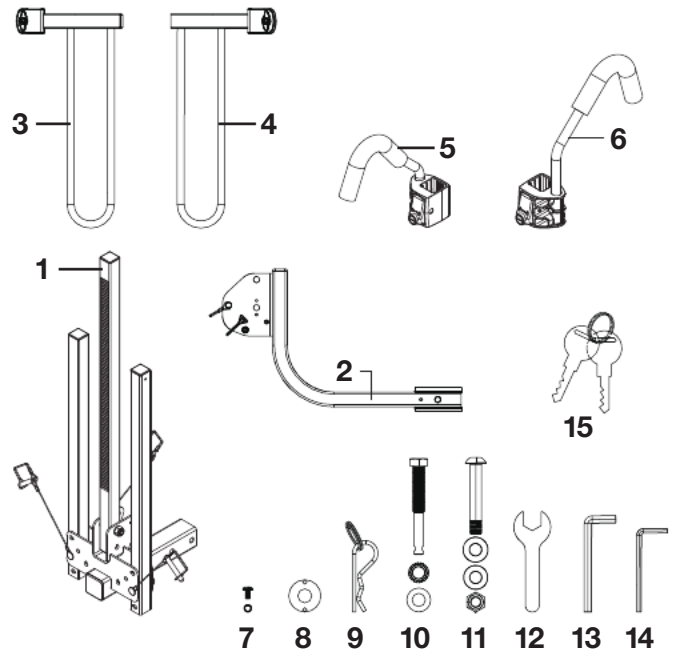
Check tightness of all bolts periodically.

Never use bike rack with a hitch extender.

The provided anti-rattle bolt must be threaded completely through the vehicle's receiver tube and tightened to 75 ft. lbs. If not completely tightened, the bike rack can shake, rattle, rock and vibrate. This could potentially cause damage to the bikes.

PARTS LIST

Item#	Qty	Description
1	1	Main body rack arms
2	1	Hitch mounting shank
3	2	Support arm
4	2	Support arm
5	1	Locking arm, short
6	1	Locking arm, long
7	3	Pan head screw, M6 - 10mm
8	2	Spacer
9	1	Clip
10	1	Anti-rattle bolt set, 1/2" - 96mm
11	1	Shank bolt set, 1/2" - 76mm
12	1	Metric wrench
13	1	Allen wrench, M8
14	1	Allen wrench, M5
15	1	Key set



ASSEMBLY

Step 1

Remove security pins from shank (#2). Insert spacers (#8) into the inside of hitch mounting shank (#2) as shown in Figure 1, Detail A. After spacers are inserted, place the main body rack arms (#1) into shank (#2) and secure with the two security pins (previously removed) and shank bolt (#11) as shown in Detail B. Tighten bolt using wrenches provided. See Detail C.

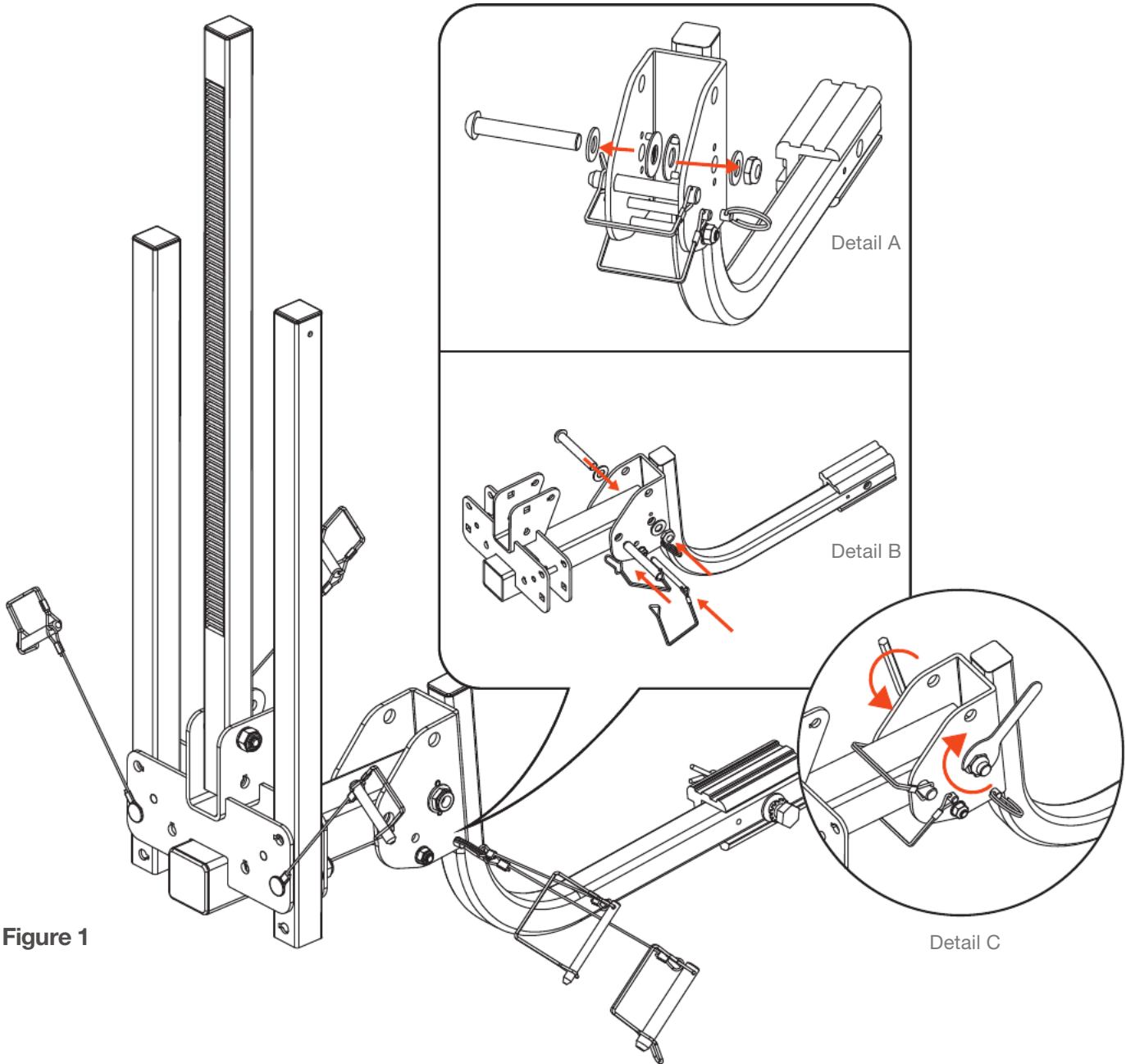


Figure 1

ASSEMBLY

Step 2

Remove the outer arm pins & clips from body rack arms (#1). See Figure 2, Detail D. Drop the side arms down to until they lay flat, see Figure 2. Re-insert the security pins & clips to secure in place. See Detail E.

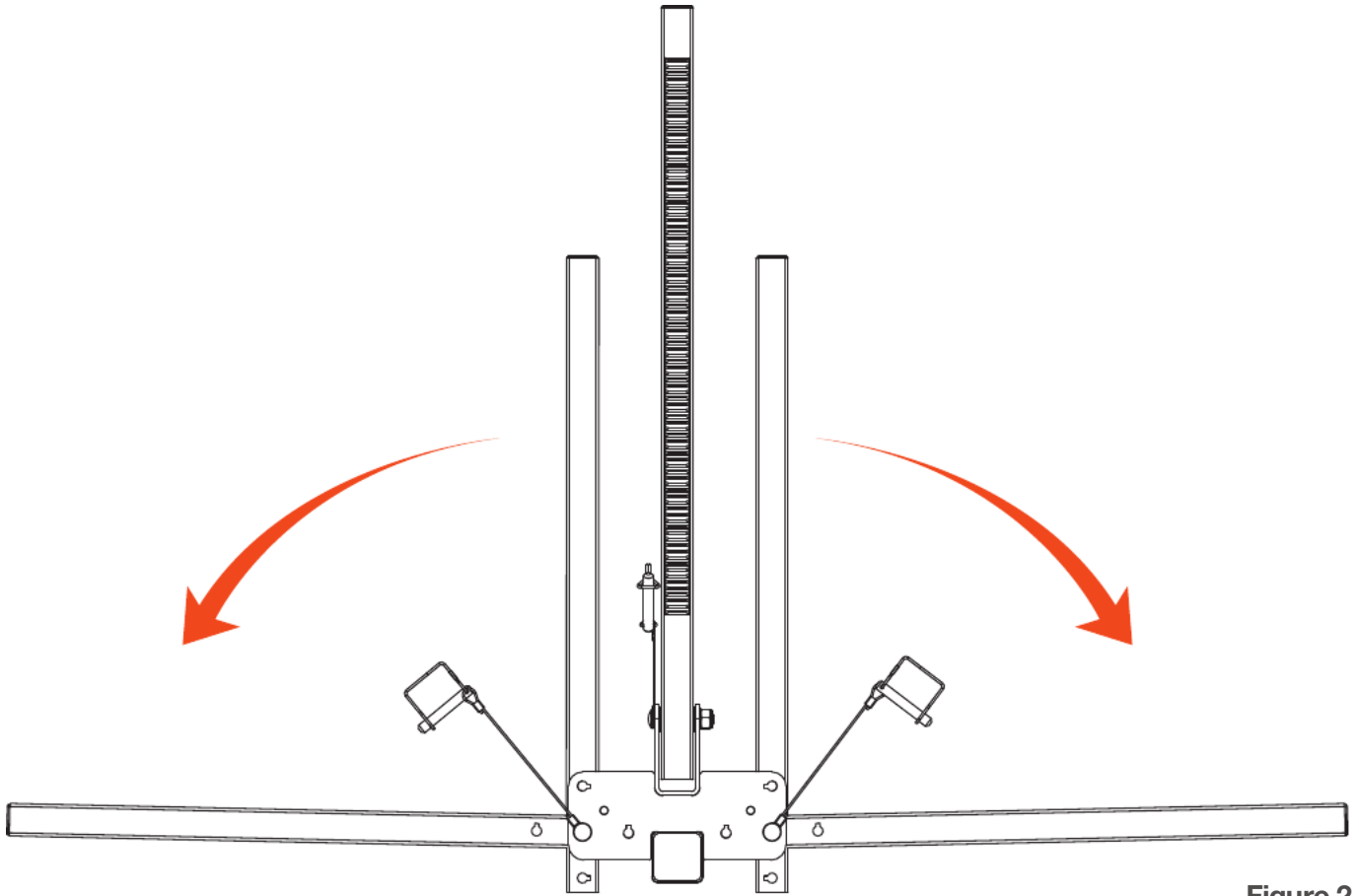
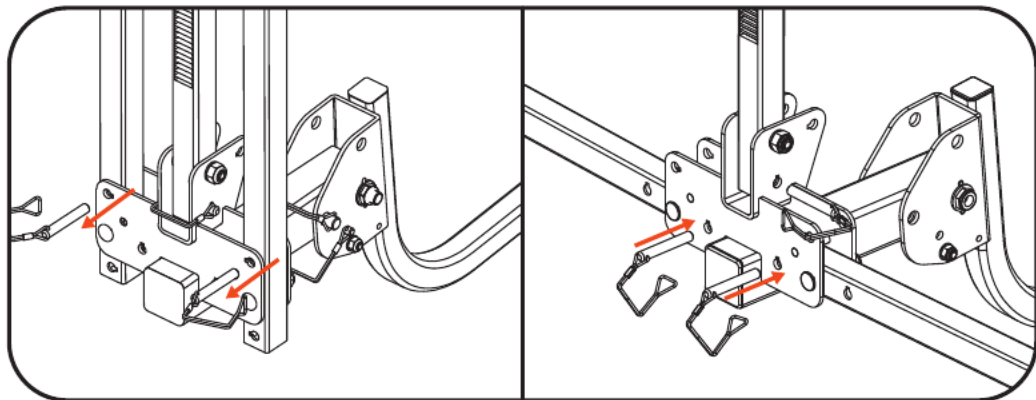


Figure 2



Detail D

Detail E

ASSEMBLY

Step 3

Slide the support arms (#3, #4) onto the main body rack arms (#1), making sure the tightening knob is facing upward. See Figure 3. Tighten the knobs as shown in Figure 4, Detail F. After the supports are tightened, insert pan head screw and lock washer (#7) into the end of each arm as shown in Figure 4, Detail G.

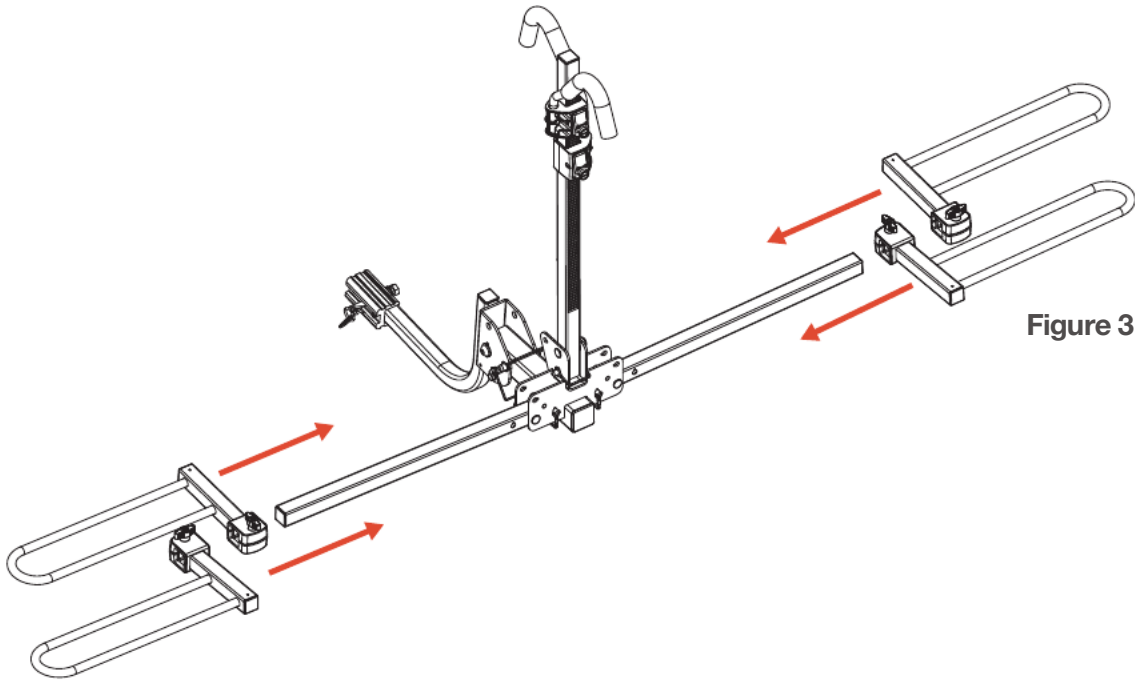


Figure 3

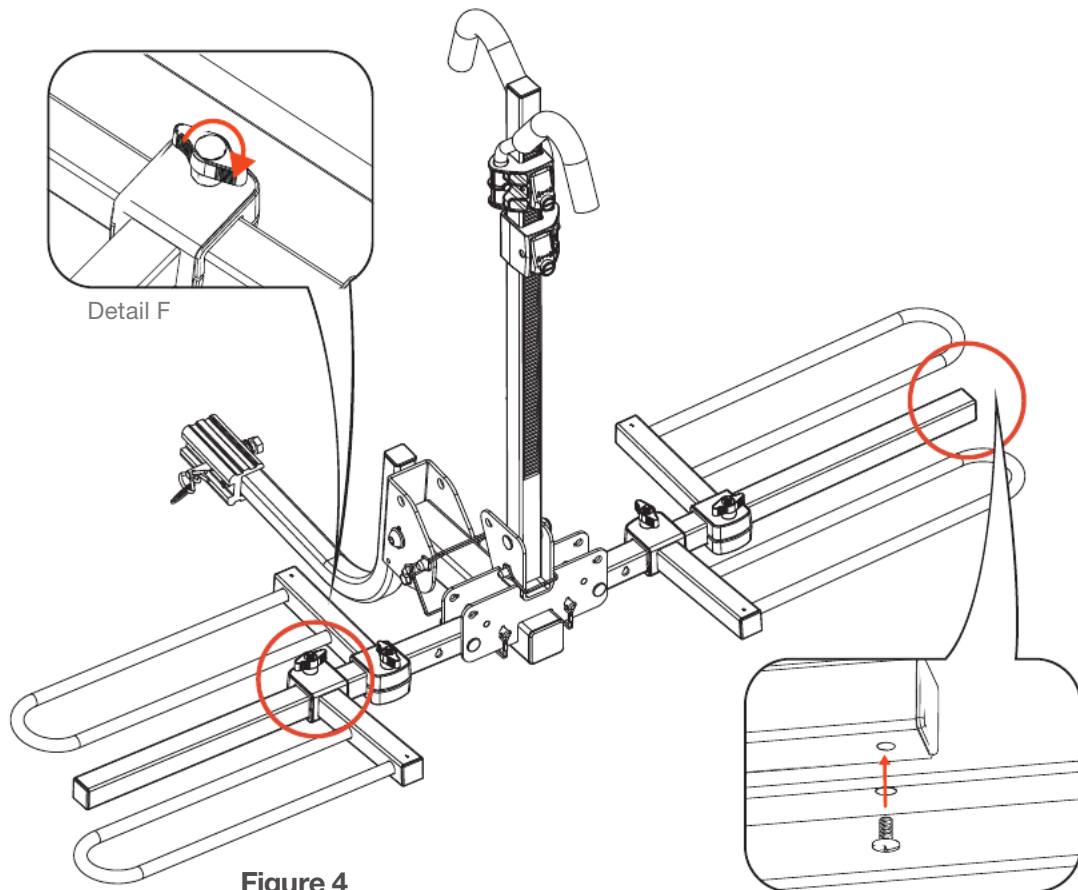


Figure 4

Detail G

ASSEMBLY

Step 4

Slide the long locking arm (#6) onto the middle arm of the main body rack (#1), making sure the locking arm is facing the mounting shank (#2). Repeat this process with the short locking arm (#5). See Figure 5, Details H. Press hooks down onto bike frame until it makes contact and then press down firmly until you hear one to two additional clicks from the ratchet system. After the locking arms are installed, insert pan head screw and lock washer (#7) into the end of the center post as shown in Figure 5, Detail I.

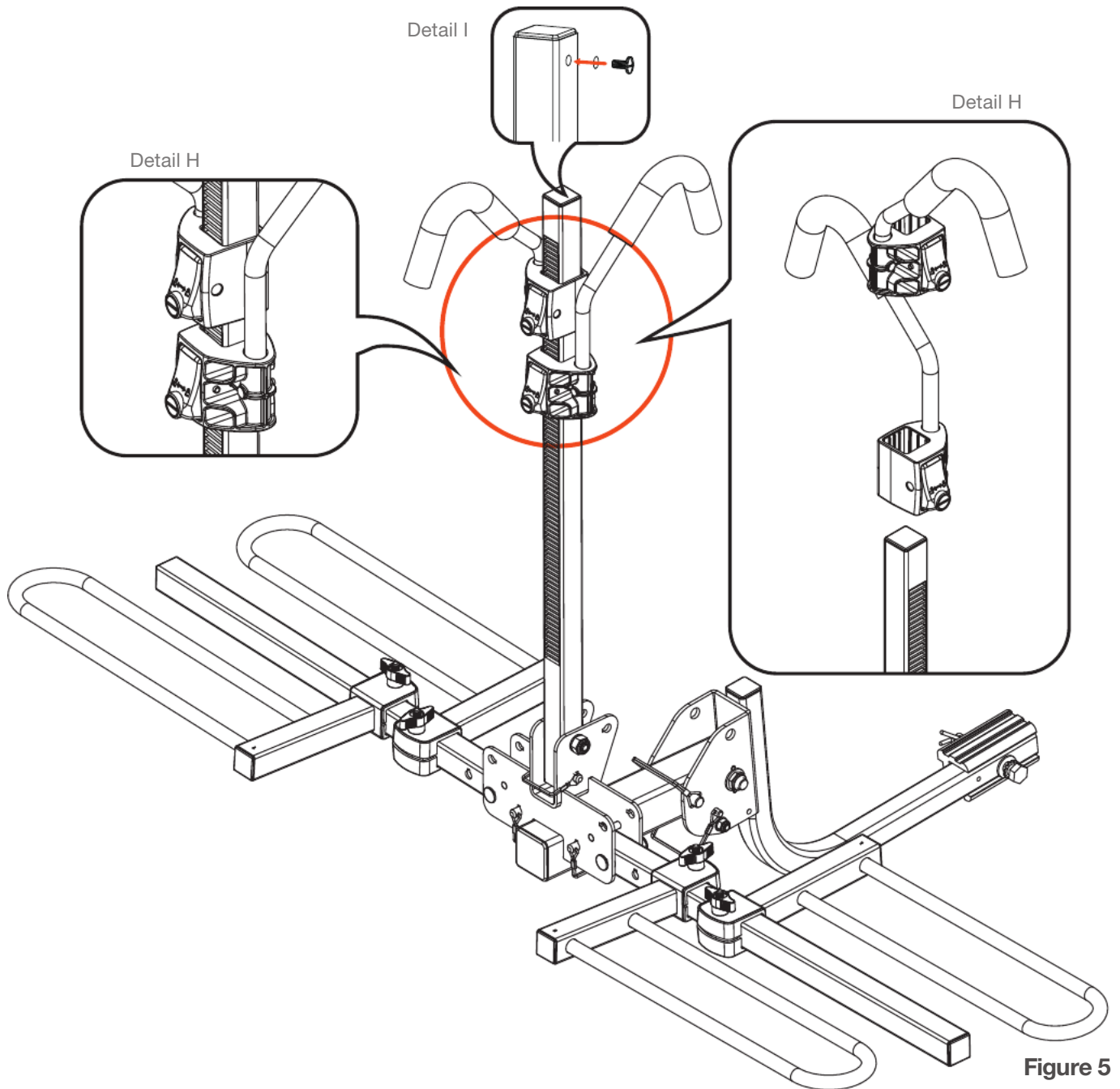


Figure 5

INSTALLATION

If using a 2" receiver, install your bike rack on your vehicle by sliding the shank into your receiver hitch tube opening (see Figure 6, Detail J) and secure with the anti-rattle bolt (#10) (Figure 7, Detail L) and clip (#9) (Detail M).

WARNING: Anti-rattle bolt must be threaded completely through the vehicle's receiver tube and tightened to 75 ft. lbs. If not completely tightened, the bike rack can shake, rattle, rock and vibrate. This could potentially cause damage to the bikes.

If using a 1 1/4" receiver, remove the adapter on the shank of your bike rack (Figure 6, Detail K). You can now install using the steps above.

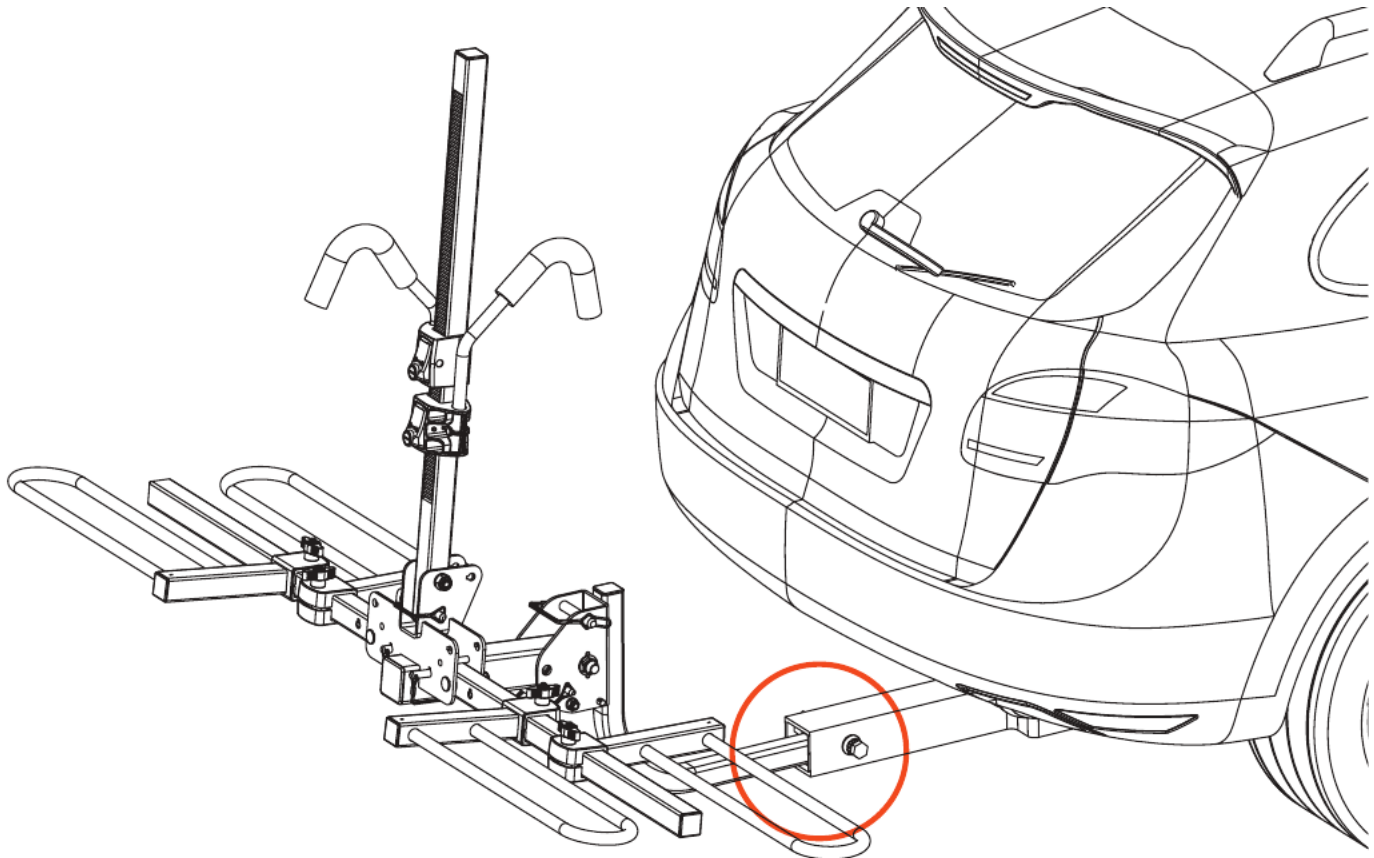
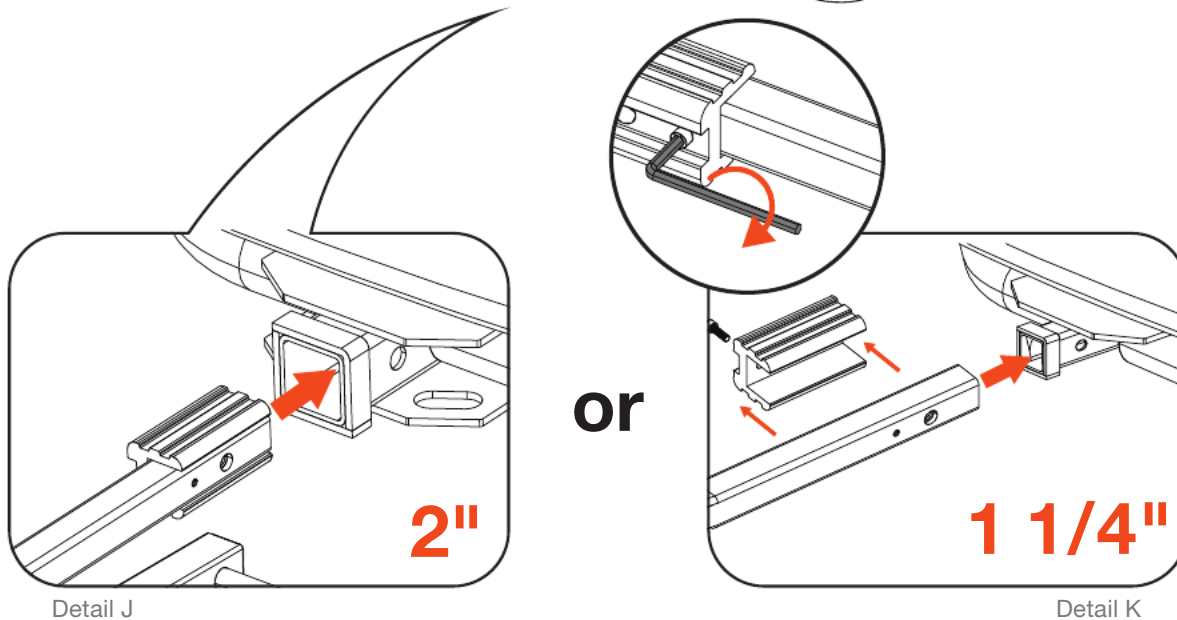
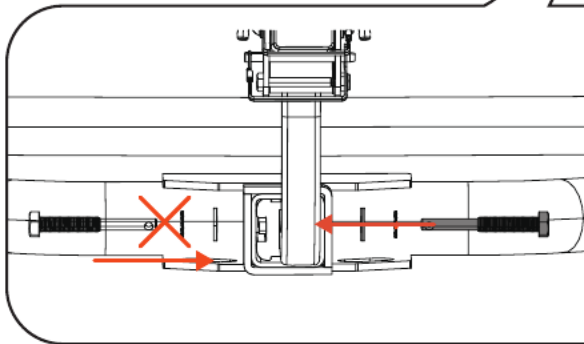
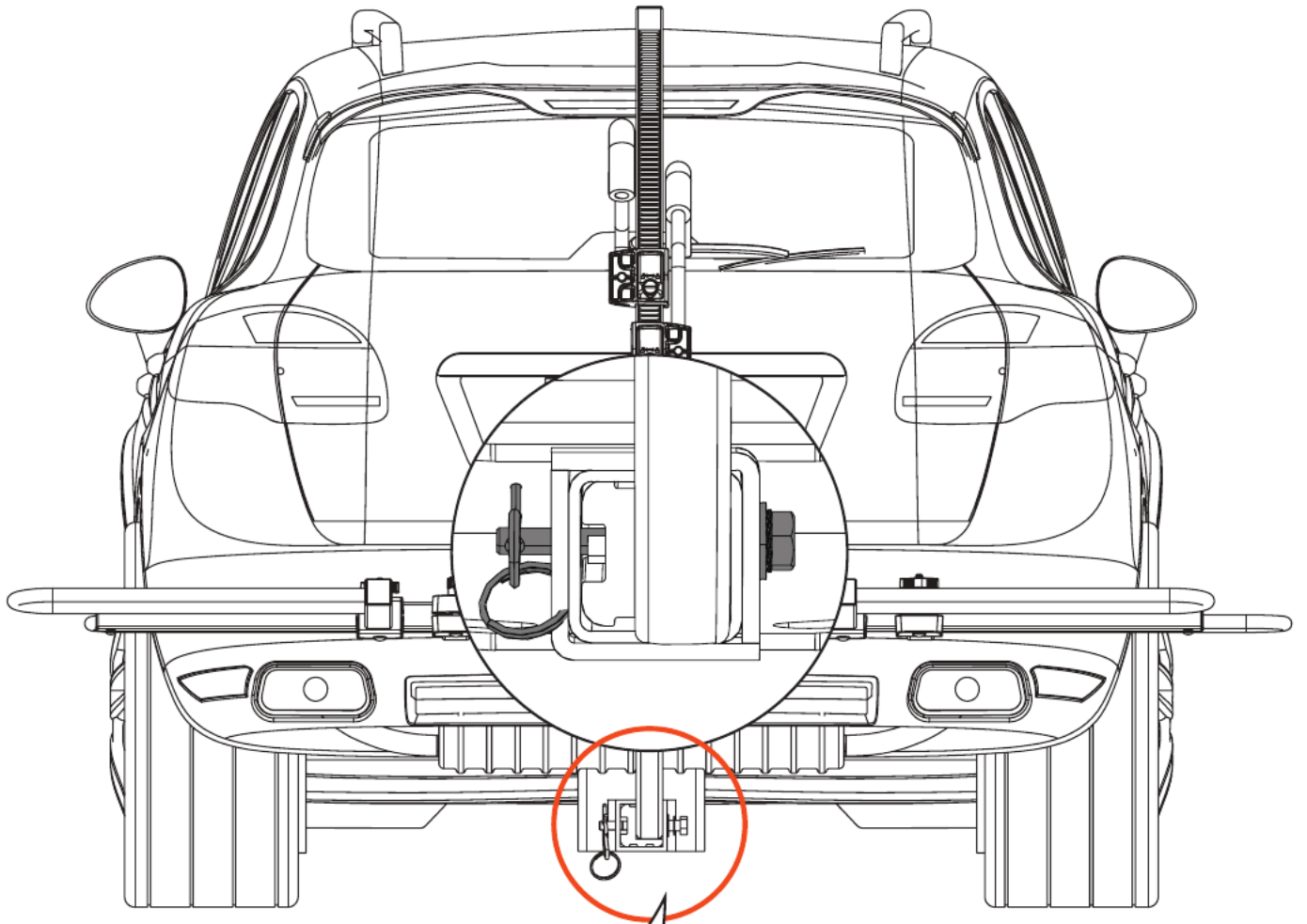
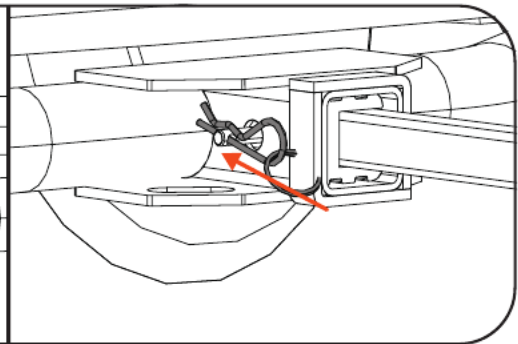


Figure 6





Detail L



Detail M

Figure 7

USE

Load the heaviest bike onto rack set closest to the vehicle. Raise the long lock arm (#6) to get the bike cross beam underneath it. Once bike is in place, lower the locking arm down onto the crossbar (Figure 8, Detail N).

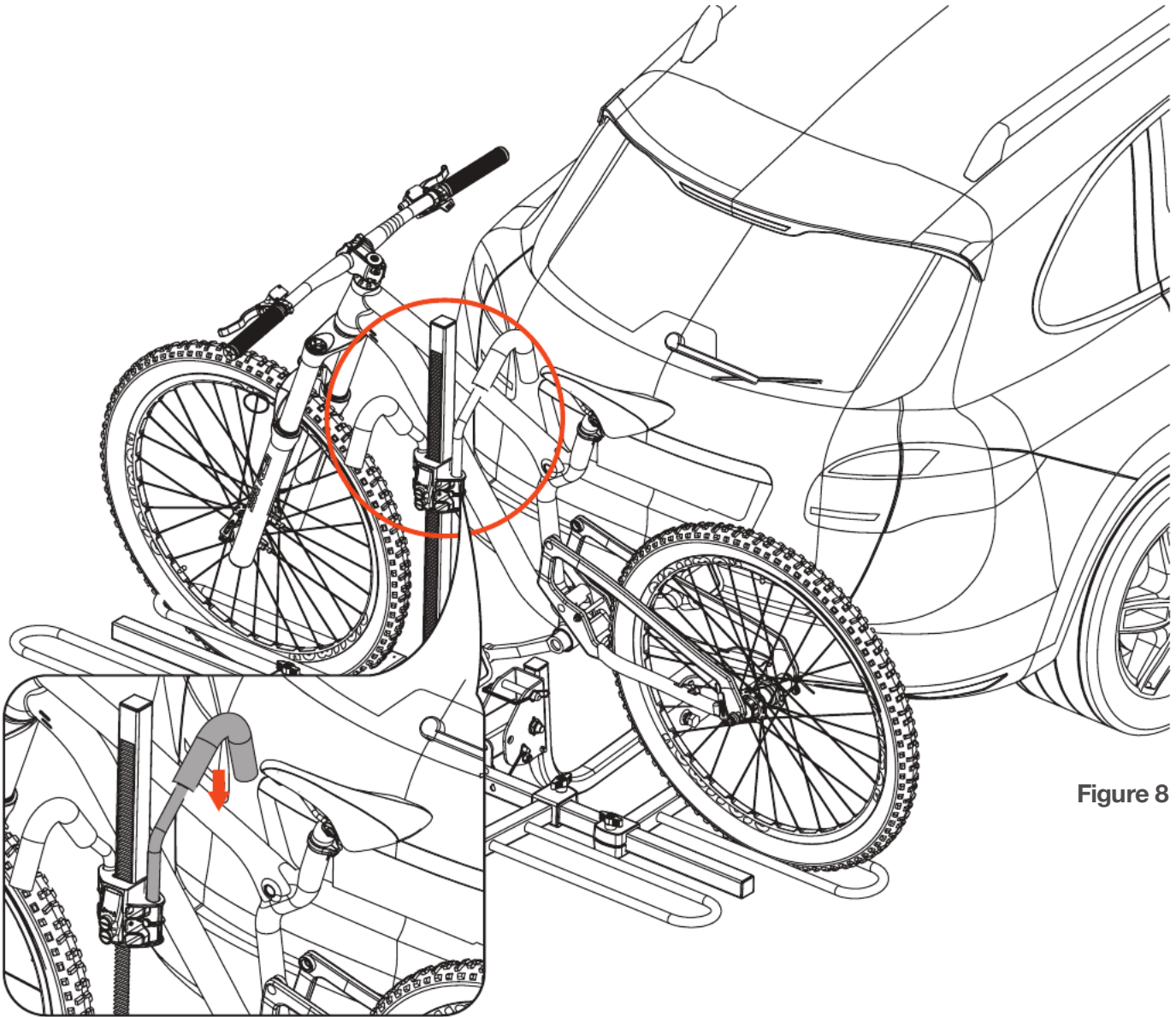


Figure 8

Detail N

REAR VEHICLE ACCESS

Remove the security pins from the base of the bike rack and replace them in the top hole of the base plate so the carrier does not tip too far down. See Figure 9, Detail O. Tilt the carrier down until it is supported by the security pins. See Figure 9.

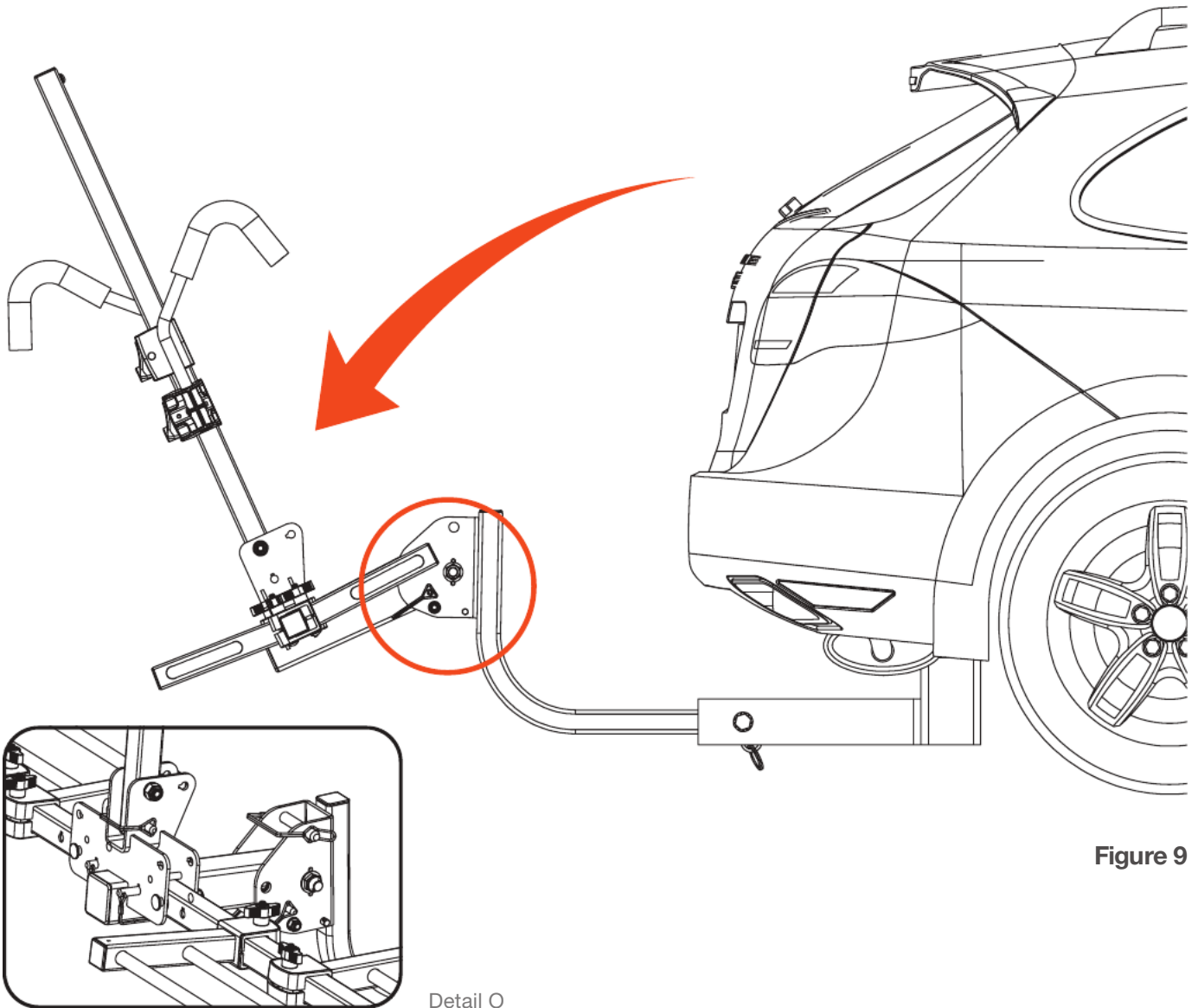


Figure 9

Detail O

TRAVEL STORAGE: OPTION 1

Remove the outer arm pins & clips from the base's face plates. See Figure 10, Detail P.
Raise side arms up and replace the pins to secure into place. See Detail Q.

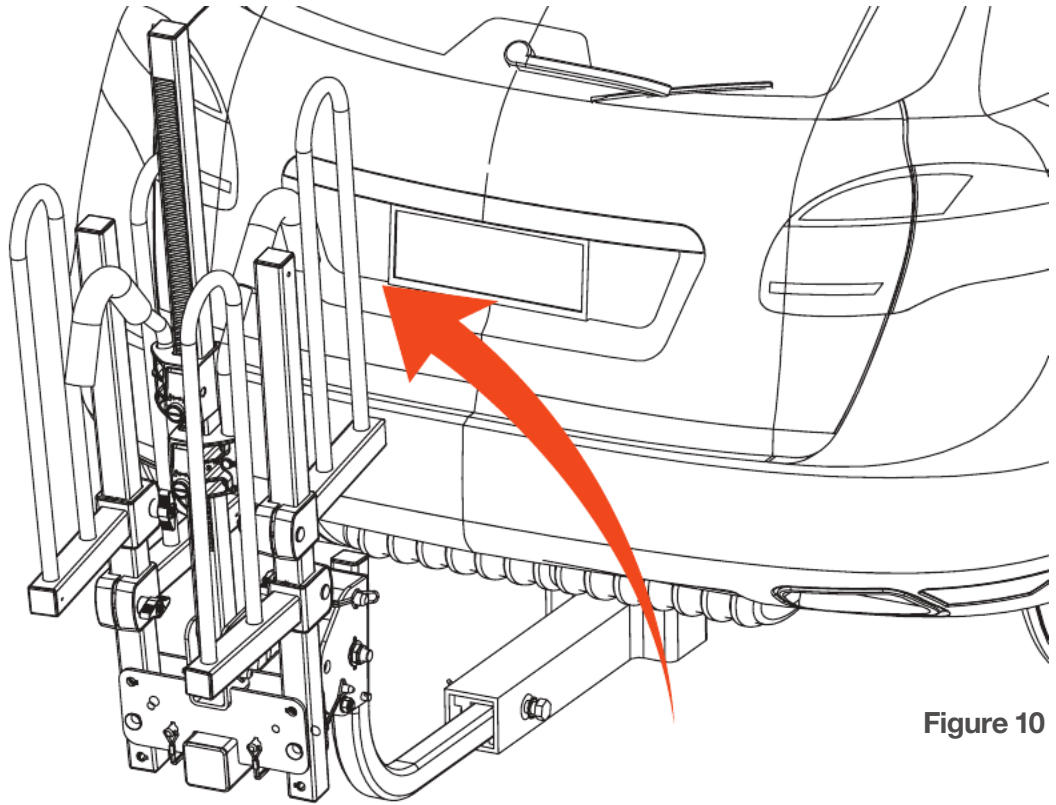
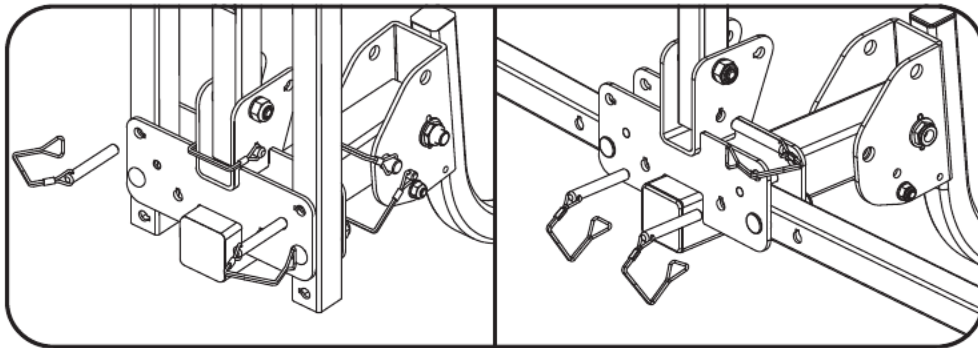


Figure 10



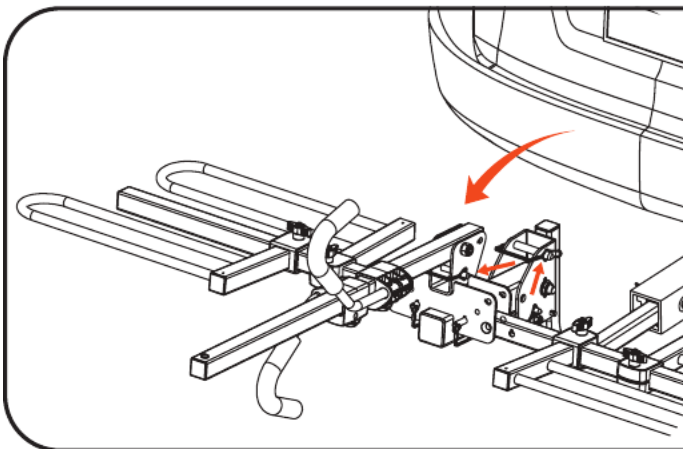
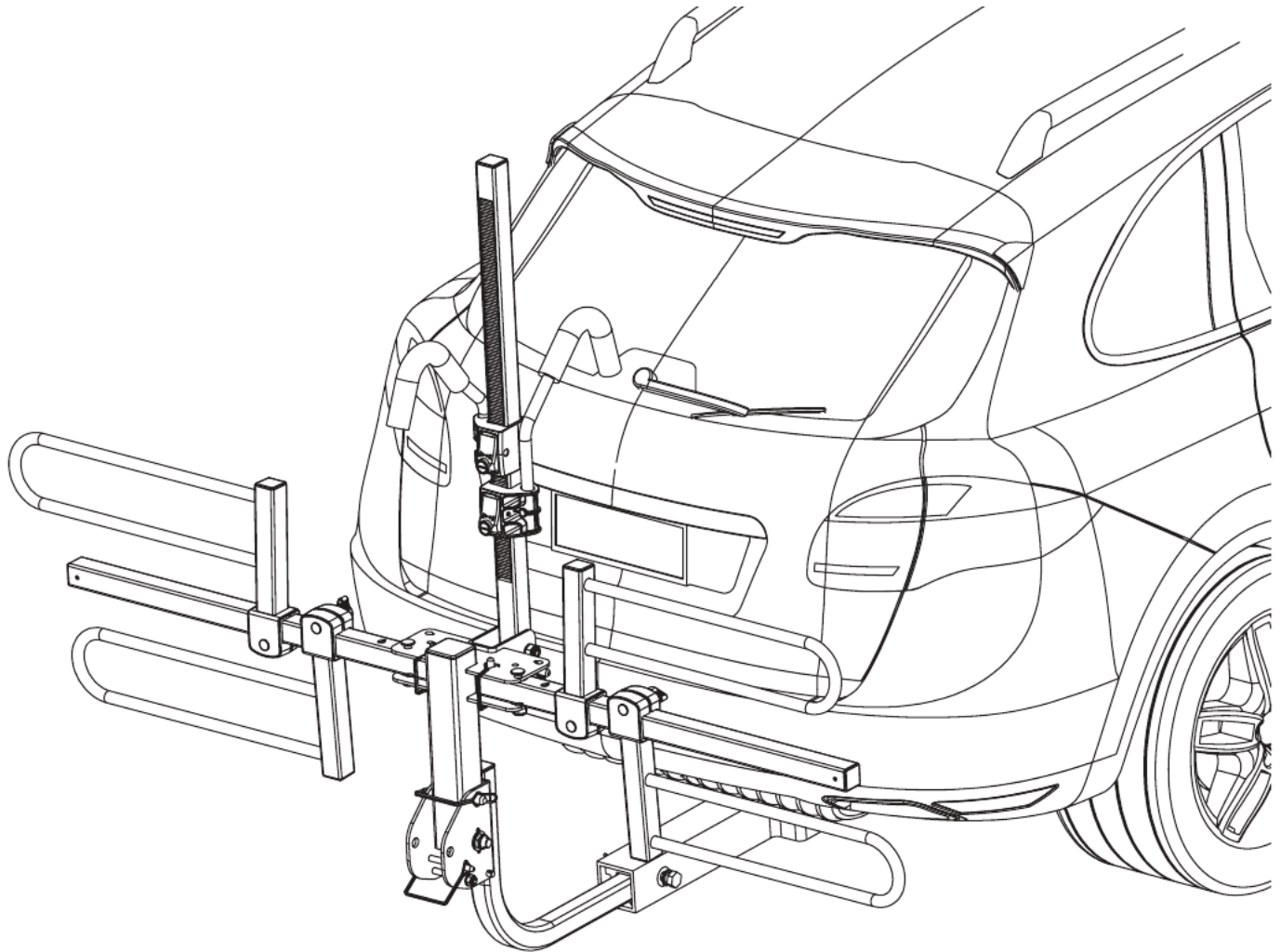
Detail P

Detail Q

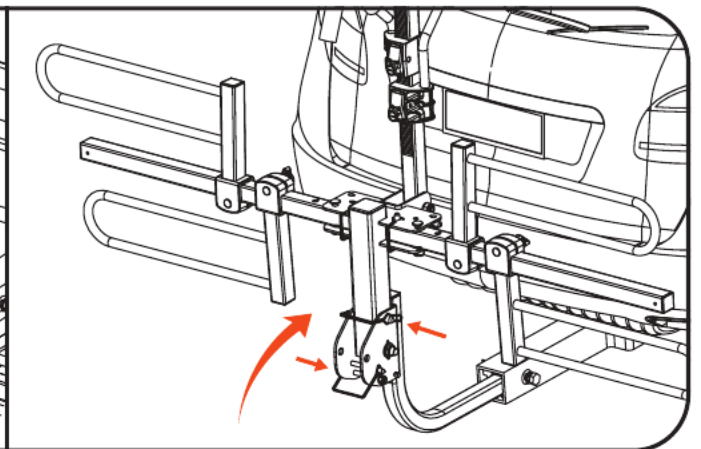
TRAVEL STORAGE: OPTION 2

Remove the middle arm pins & clips from the face plates. Lower the middle arms, one to each side, and replace the pins to secure into place. See Figure 11, Detail R.

With the arms down and secure, you can now remove the security pins from the base of the bike rack and lift the rack up until it is parallel to your vehicle. Replace the security pins to hold in place. See Detail S.



Detail R



Detail S

Figure 11