

# INSTALLATION MANUAL

# 18110

## Level of Difficulty

Easy

Installation difficulty levels are based on time and effort involved and may vary depending on the installer level of expertise, condition of the vehicle and proper tools and equipment.

## Weight Carrying Capacity

Weight capacity 300 lbs.

## Parts List

Item	Qty	Description
1	2	Platform frame, half
2	1	Shank, 1-1/4"
3	2	Connecting plate
4	1	Shank adapter, 2"
5	1	Clip
6	1	Hex bolt, 1/2"
7	1	Spring washer, 1/2"
8	1	Flat washer, 1/2"
9	14	Lock nut, M10
10	12	Carriage bolt, M10 x 20mm
11	2	Carriage bolt, M10 x 75mm
12	1	Flat brace
13	2	Support bridge
14	2	Round tube pad

## Tools Required

Wrench set Adjustable wrench

## Torque Specifications

M10 bolt 16 ft.-lbs.

Use above torque setting unless otherwise noted

## ⚠ WARNING

Never exceed the vehicle manufacturer's recommended towing capacity. Do not exceed the capacity of your lowest rated towing component.

Do not exceed maximum weight capacity of 300 lbs. when using 2" receiver tube. Distribute the weight evenly on platform when hauling a load.

Do not carry loads taller, wider or deeper than the cargo carrier. Do not carry flammable items on carrier or allow exhaust fumes to blow directly on your cargo. This is a fire hazard.

Always use caution when in reverse (R) to help avoid personal injury.

Loads must be evenly distributed.

Never use as a step or platform - injury may result.

Do not use to carry flammable items or allow exhaust fumes to blow directly on items in the carrier - fire hazard.

Do not use to transport people.

Do not block brake lights or turn signals.

## Product Photo



## NOTICE

Visit [www.curtmfg.com](http://www.curtmfg.com) for a full-color copy of this instruction manual, as well as helpful videos, guides and much more!

Before you begin installation, read all instructions thoroughly.

Proper tools will improve the quality of installation and reduce the time required.

Periodic inspection of your product should be performed to ensure all hardware and / or components remain secure.

## Product Registration and Warranty

CURT stands behind our products with industry-leading warranties. To get copies of the product warranties, register your purchase or provide feedback, visit: [warranty.curtgroup.com/surveys](http://warranty.curtgroup.com/surveys)

# ASSEMBLY

## Parts List

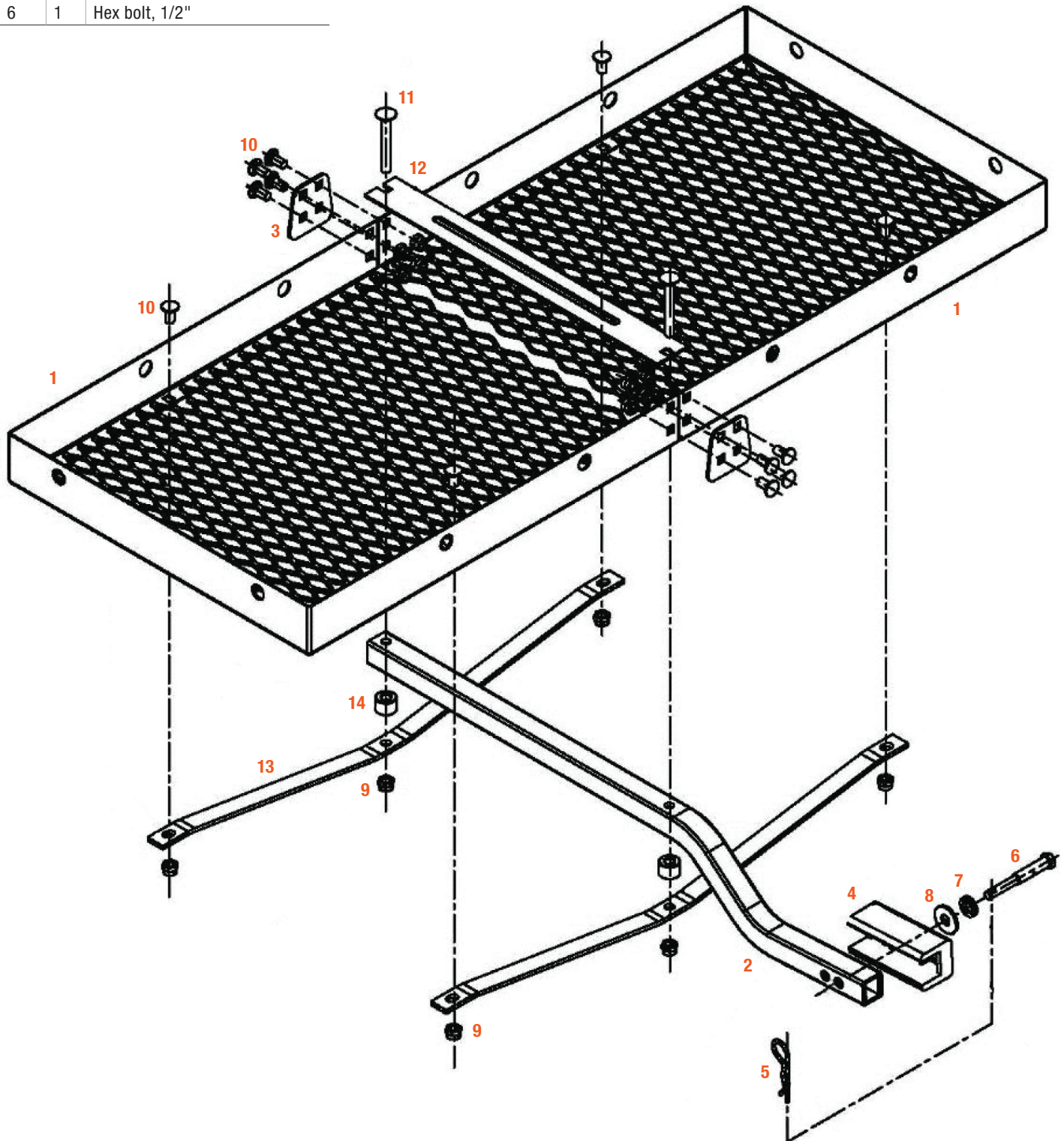
Item	Qty	Description
1	2	Platform frame, half
2	1	Shank, 1-1/4"
3	2	Connecting plate
4	1	Shank adapter, 2"
5	1	Clip
6	1	Hex bolt, 1/2"

## Parts List

Item	Qty	Description
7	1	Spring washer, 1/2"
8	1	Flat washer, 1/2"
9	14	Lock nut, M10
10	12	Carriage bolt, M10 x 20mm

## Parts List

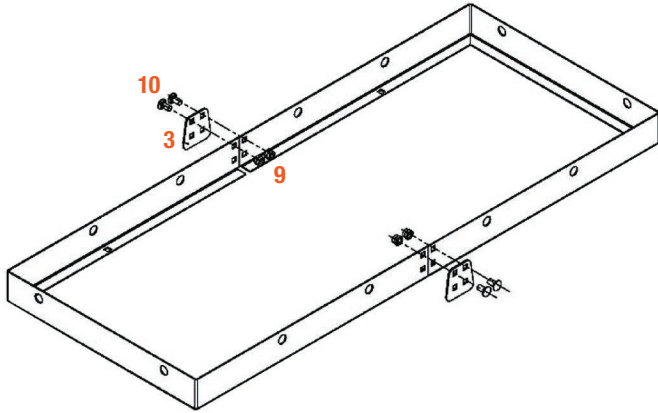
Item	Qty	Description
11	2	Carriage bolt, M10 x 75mm
12	1	Flat brace
13	2	Support bridge
14	2	Round tube pad



### Step 1

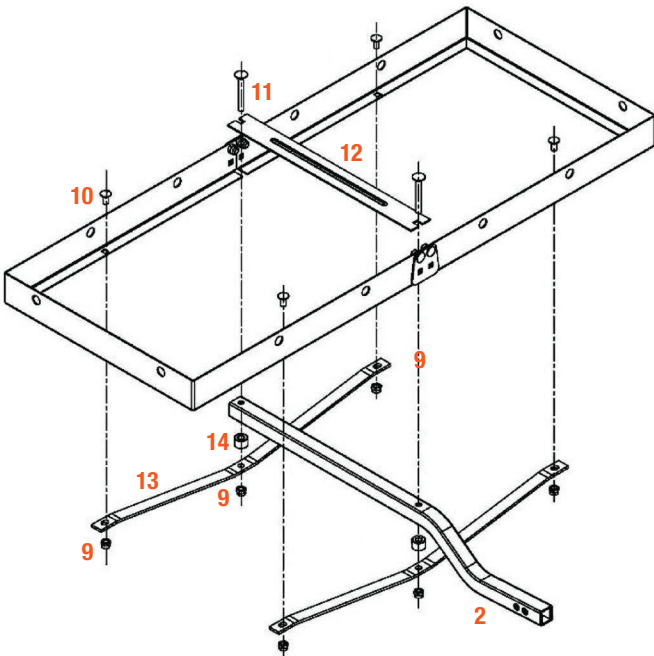
Align the two platform halves (#1), as shown. Using the top two holes only, connect the platform halves (#1) and connecting plates (#3) with M10 x 20mm carriage bolts (#10) and M10 lock nuts (#9).

Hand tighten.



### Step 2

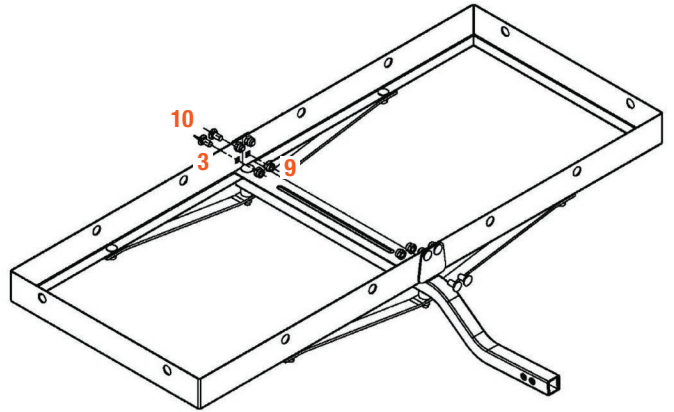
Put the 1-1/4" shank (#2) under the middle of platform (#1). Place the round tube pads (#14) and support bridges (#13) under the shank. Place the flat brace (#12) in the top middle of the platform. Connect by hand-tightening the M10 x 75mm carriage bolt (#11) and M10 lock nut (#9). Secure the support bridges using four M10 x 20mm carriage bolts (#10) and M10 lock nuts (#9).



### Step 3

Using the bottom two holes, finish connecting the platform halves (#1) and connecting plates (#3) with M10 x 20mm carriage bolts (#10) and M10 lock nuts (#9). Hand tighten.

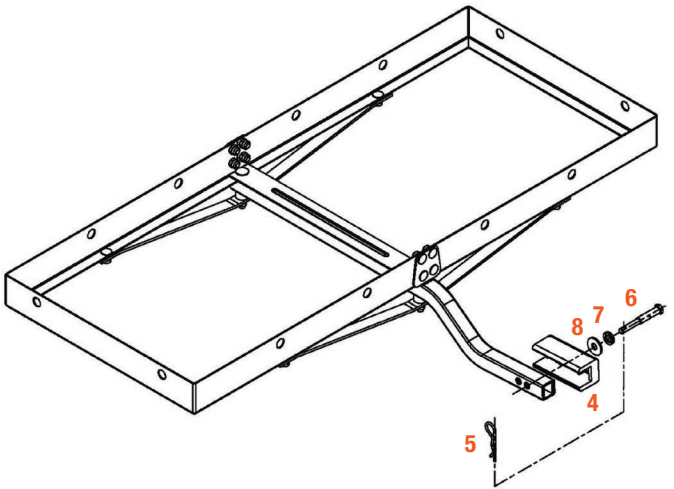
Fully tighten all of the bolts and lock nuts to the specified torque specs.



### Step 4

Insert the cargo carrier shank into the vehicle's receiver tube. Secure with 1/2" hex bolt (#6), spring washer (#7), flat washer (#8) and clip (#5).

To adapt the 1-1/4" shank to a 2" shank, place the adapter (#4) onto the 1-1/4" shank. Align the holes and secure with 1/2" hex bolt (#6), spring washer (#7), flat washer (#8) and clip (#5).



## TOWING BASICS & SAFETY INFORMATION

For information on safely towing your trailer, visit [curtmfg.com/understanding-towing](http://curtmfg.com/understanding-towing).