

31023

CHEVROLET / GMC 2500 AND 3500

07/09/2020

GROSS LOAD CAPACITY WHEN USED AS A WEIGHT CARRYING HITCH: 5,000 LBS. TRAILER WEIGHT & 500 LBS. TONGUE WEIGHT.

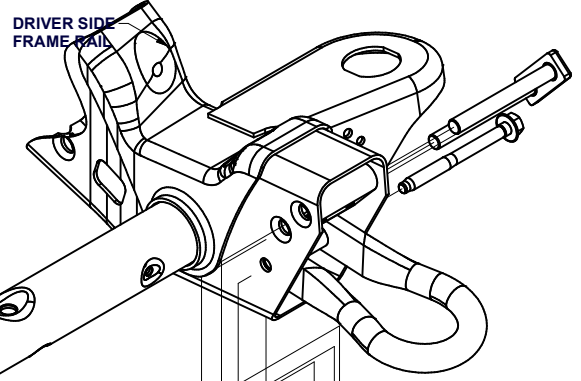
GROSS LOAD CAPACITY WHEN USED AS A STRAIGHT LINE PULL: 9,000 LBS. MAX. LINE PULL.

*** DO NOT EXCEED VEHICLE MANUFACTURER'S RECOMMENDED TOWING CAPACITY. ***

HAVING INSTALLATION QUESTIONS? CALL TECHNICAL SUPPORT AT 1-877-287-8634



TOOLS REQUIRED
RATCHET
TORQUE WRENCH
4" EXTENSION
21mm DEEP SOCKET
18mm DEEP SOCKET
18mm WRENCH



PASSENGER SIDE FRAME RAIL

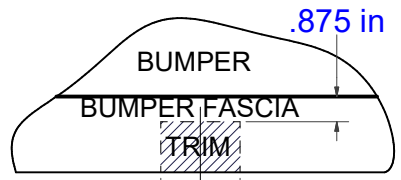
EXISTING NUTS (BOTH SIDES)

BUMPER BOLTS (BOTH SIDES)

TOW LOOP

LONG TOW LOOP BOLT (BOTH SIDES)

SHORT TOW LOOP BOLT (BOTH SIDES)



2.750 in

BUMPER FASCIA TRIM DIAGRAM

HITCH WEIGHT: 29 LBS.
 INSTALL TIME
 PROFESSIONAL: 30 MINUTES
 NOVICE (DIY): 60 MINUTES
 INSTALL NOTES:
 - NO DRILLING REQUIRED
 - REMOVE AND REINSTALL TOW LOOPS
 - REMOVE AND REINSTALL BUMPER BOLTS
 - MAY REQUIRE BUMPER FASCIA TRIMMING

INSTALLATION STEPS

1. Remove the tow loops by removing the (1) long bolt through both sides of the frame and the (1) short bolt in the bottom of the frame (both sides). Carefully remove the (2) bolts in each frame rail attaching the bumper, SUPPORT THE BUMPER to keep it from coming off of the vehicle.
- NOTE: Lower bumper fascia strip may need to be trimmed or removed to allow clearance for the receiver tube.
2. Raise hitch into position between frame rails. Reinstall the bumper bolts to point toward the center of the vehicle and through the hitch side plates. Loosely install the original flange nuts.
3. Reinstall the tow loops and the original bolts through the hitch. Loosely reinstall the original hex flange nuts.
4. Torque all 14mm bolts to 126 lb-ft and all 12mm fasteners to 79 lb-ft.

PERIODICALLY CHECK THIS RECEIVER HITCH TO ENSURE THAT ALL FASTENERS ARE TIGHT AND THAT ALL STRUCTURAL COMPONENTS ARE SOUND.

Curt Manufacturing Inc., warrants this product to be free of defects in material and/or workmanship at the time of retail purchase by the original purchaser. If the product is found to be defective, Curt Manufacturing Inc., may repair or replace the product, at their option, when the product is returned, prepaid, with proof of purchase. Alteration to, misuse of, or improper installation of this product voids the warranty. Curt Manufacturing Inc.'s liability is limited to repair or replacement of products found to be defective, and specifically excludes liability for incidental or consequential loss or damage.

CHEVROLET / GMC 2500 AND 3500

*****DO NOT EXCEED VEHICLE MANUFACTURER'S RECOMMENDED TOWING CAPACITY*****.

FRONT MOUNTED ACCESSORIES

1) Do not exceed front axle Gross Weight Rating (GAWR). Consult owners manual or specification plate located on driver's door frame. Measure gross front axle weight by placing front wheels of loaded vehicle on a scale.

WARNING: Exceeding GAWR may overload the front axle and/or suspension. This could result in **accident, property damage and personal injury.**

- 2) Reposition front mounted license plate if obstructed.
- 3) Do not obstruct vehicle lights.
- 4) Allow free air flow into grille opening.
- 5) Rear wheel traction may be reduced. This could effect handling. Reduce speed and drive with caution.
- 6) Accessories extend front of vehicle. This may reduce approach angle. Use caution when parking and maneuvering.
- 7) Do not obstruct driver view.

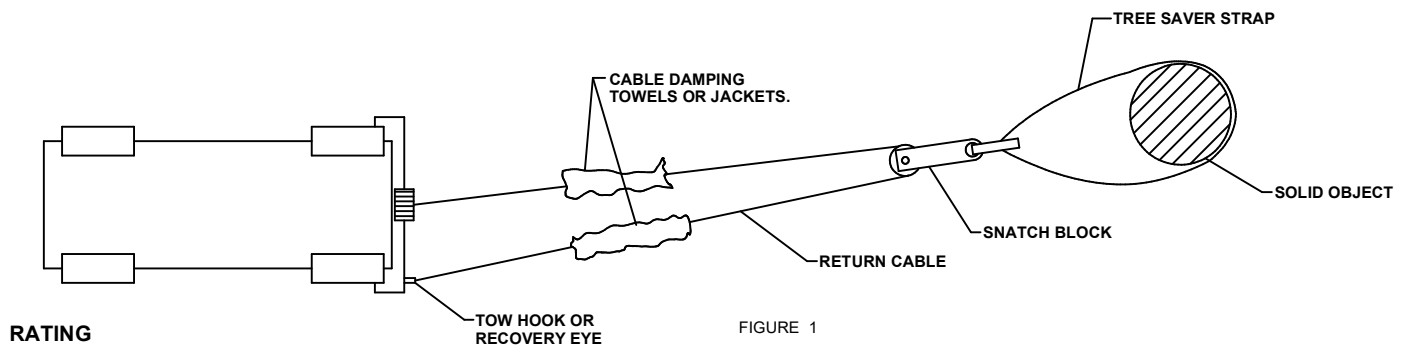
VEHICLE RECOVERY AND WINCHING TIPS

1) Use OEM tow hooks, recovery eyes or a clevis mount for attachment of a tow strap or winch cable.

WARNING: NEVER use a ball and/or ball mount as an anchor point for tow strap or winch cable. Severe personal injury or death could result.

- 2) Observe winch manufacturer's recommendations, cautions and warnings.
- 3) Attach return cable to tow hook or recovery eye when using a snatch block (See figure 1).

CAUTION: Do not attach return cable to winch mount. This may overload winch mount and/or front mounted receiver.



RATING

For **Maximum** line pull rating, winch cable must not exceed:
- 15 degree angle up or down from horizontal (See Figure 2).
- 45 degree angle left or right from straight ahead (See Figure 3).

CAUTION: Exceeding the maximum line pull rating may over load winch, winch mount, and/or front mounted receiver.

