

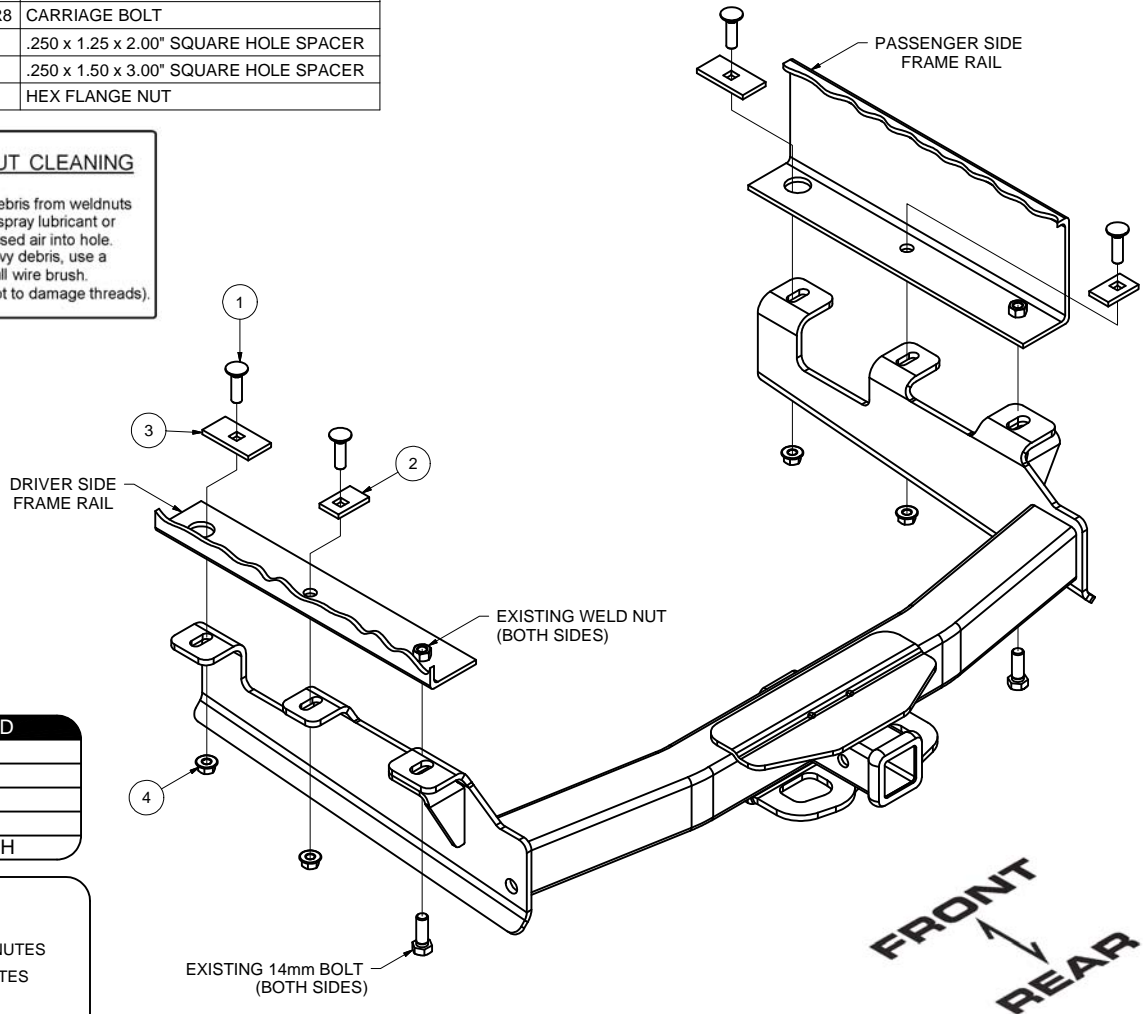
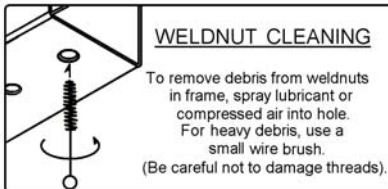
15302**2001-10 CHEVY/GMC 2500HD OR 3500 SHORT BOX
WITH FACTORY BUMPER (INCLUDING CREW CAB)****2/4/2014**

**GROSS LOAD CAPACITY WHEN USED AS A WEIGHT CARRYING HITCH: 16,000 LBS. TRAILER WEIGHT & 2,400 LBS. TONGUE WEIGHT.
GROSS LOAD CAPACITY WHEN USED AS A WEIGHT DISTRIBUTION HITCH: 17,000 LBS. TRAILER WEIGHT & 2,400 LBS. TONGUE WEIGHT**

*****DO NOT EXCEED VEHICLE MANUFACTURER'S RECOMMENDED TOWING CAPACITY.*****

HAVING INSTALLATION QUESTIONS? CALL TECHNICAL SUPPORT AT 1-800-798-0813

Parts List			
ITEM	QTY	PART NUMBER	DESCRIPTION
1	4	1/2-13 x 1 3/4, GR8	CARRIAGE BOLT
2	2	CM-SP3	.250 x 1.25 x 2.00" SQUARE HOLE SPACER
3	2	CM-SP4	.250 x 1.50 x 3.00" SQUARE HOLE SPACER
4	4	HFN 1213, GR8	HEX FLANGE NUT

**TOOLS REQUIRED**

3/4" SOCKET
21mm SOCKET
12" EXTENSION
RATCHET
TORQUE WRENCH

HITCH WEIGHT: 59 LBS.

INSTALL TIME

PROFESSIONAL: 30 MINUTES
NOVICE (DIY): 60 MINUTES

INSTALL NOTES:

- NO DRILLING REQUIRED
- LOWER SPARE TIRE

FRONT
REAR

INSTALLATION STEPS

1. Lower spare tire for ease of installation.
2. Remove (1) bumper bracket bolt from both sides of the vehicle. Raise hitch into position by aligning the rearmost holes in the hitch with the holes where the bumper bracket bolts were removed. Secure hitch using existing 14mm bumper bracket bolts.
3. Place a 1/2"-13 x 1 3/4" carriage bolt and a CM-SP4 spacer in the forward most hole of the frame and hitch, repeat on other side. Secure with 1/2" hex flange nuts, as shown.
4. Place a 1/2"-13 x 1 3/4" carriage bolt and a CM-SP3 spacer in the center hole of the frame and hitch, repeat on other side. Secure with 1/2" hex flange nuts, as shown.
5. Torque all 1/2" hardware to 110 lb-ft. Torque all 14mm hardware to 126 lb-ft.
6. Reinstall spare tire.

PERIODICALLY CHECK THIS RECEIVER HITCH TO ENSURE THAT ALL FASTENERS ARE TIGHT AND THAT ALL STRUCTURAL COMPONENTS ARE SOUND.

Curt Manufacturing LLC., warrants this product to be free of defects in material and/or workmanship at the time of retail purchase by the original purchaser. If the product is found to be defective, Curt Manufacturing LLC., may repair or replace the product, at their option, when the product is returned, prepaid, with proof of purchase. Alteration to, misuse of, or improper installation of this product voids the warranty. Curt Manufacturing LLC.'s liability is limited to repair or replacement of products found to be defective, and specifically excludes liability for incidental or consequential loss or damage.