



**Before returning this product
to the store of purchase**

Contact Dee Zee if you experience the following problems:

- Missing Parts
- Installation Problems/Questions
- Warranty Questions

1.800.779.2102

Hours of operation: 8am - 5pm CST, Mon-Friday

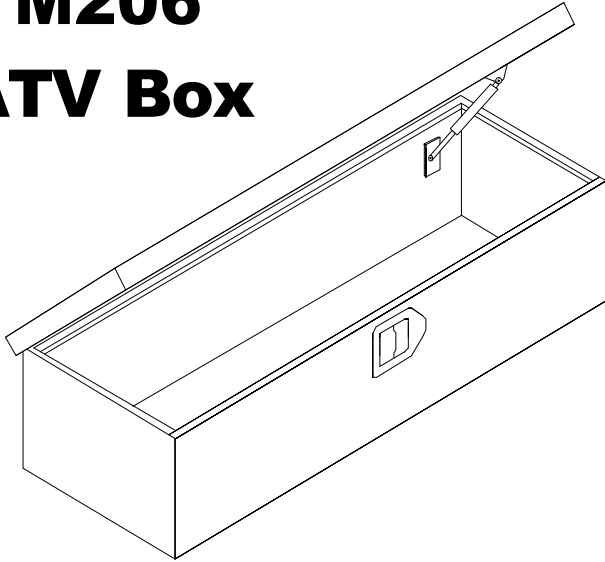
Review complete warranty policy and register your product at:

www.deezee.com

M206 / M206C / M207 / M207C

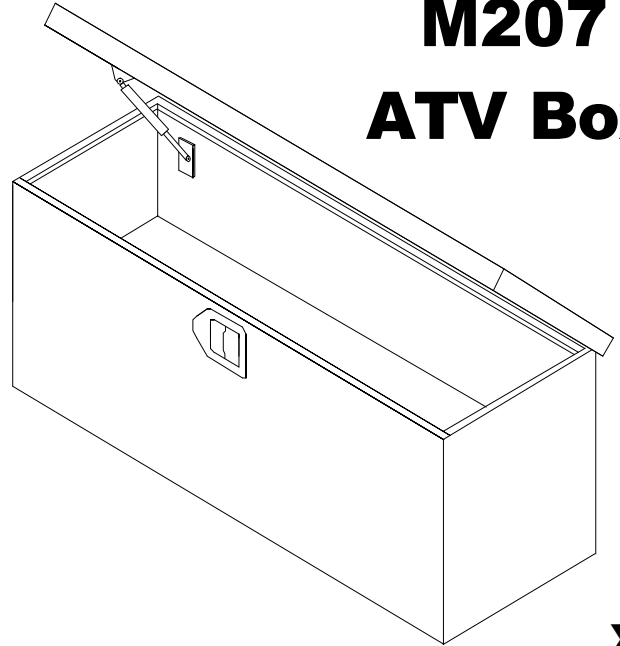
Installation Instructions

M206 ATV Box



X1

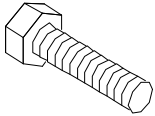
M207 ATV Box



X1

B

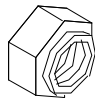
1/4 x 3/4" Hex
Head Bolt



X8

C

1/4" Hex Nut



X8

D

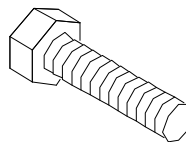
1/4" Flat Washer



X16

E

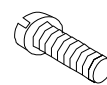
1/4 x 1 1/4 Hex
Head Bolt



X4

F

#10 Screw



X8

G

#10 Flat Washer



X8

H

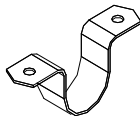
#10 Hex Nut



X16

I

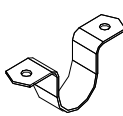
1/2" Diameter
Conduit Bracket



X4

J

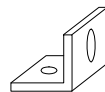
3/4" Diameter
Conduit Bracket



X4

K

Mounting
Bracket



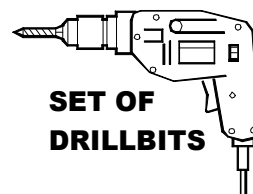
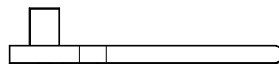
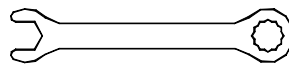
X4

L

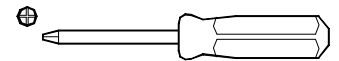
Foam
Gasket



**Tools Required:
Outils Nécessaires:**



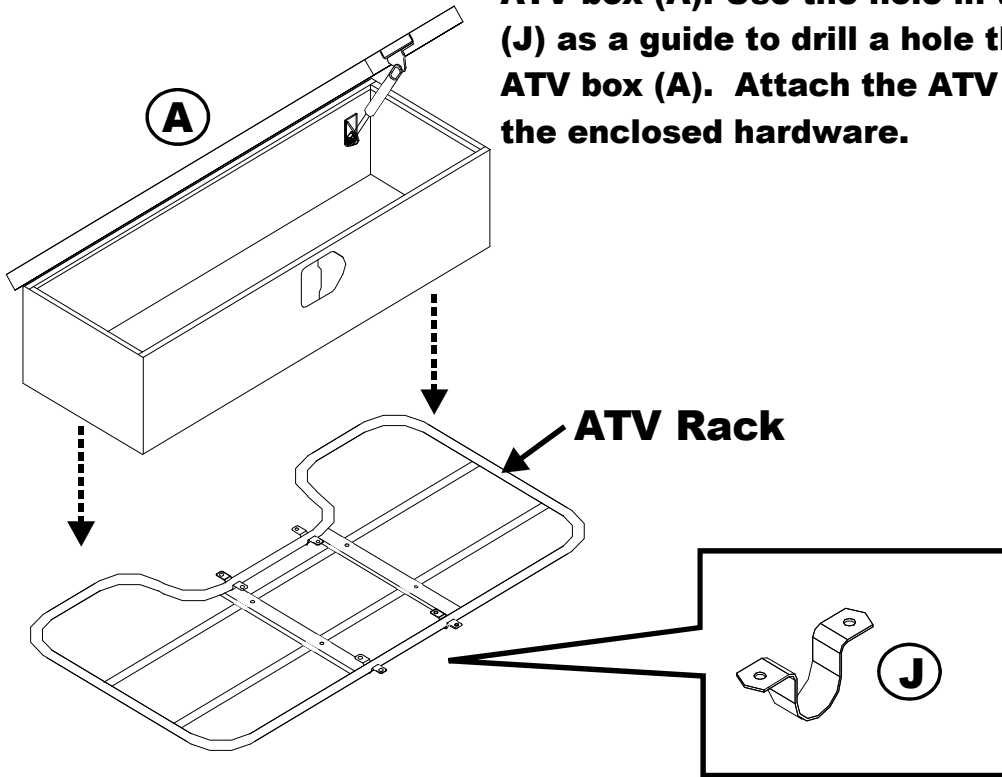
**SET OF
DRILLBITS**



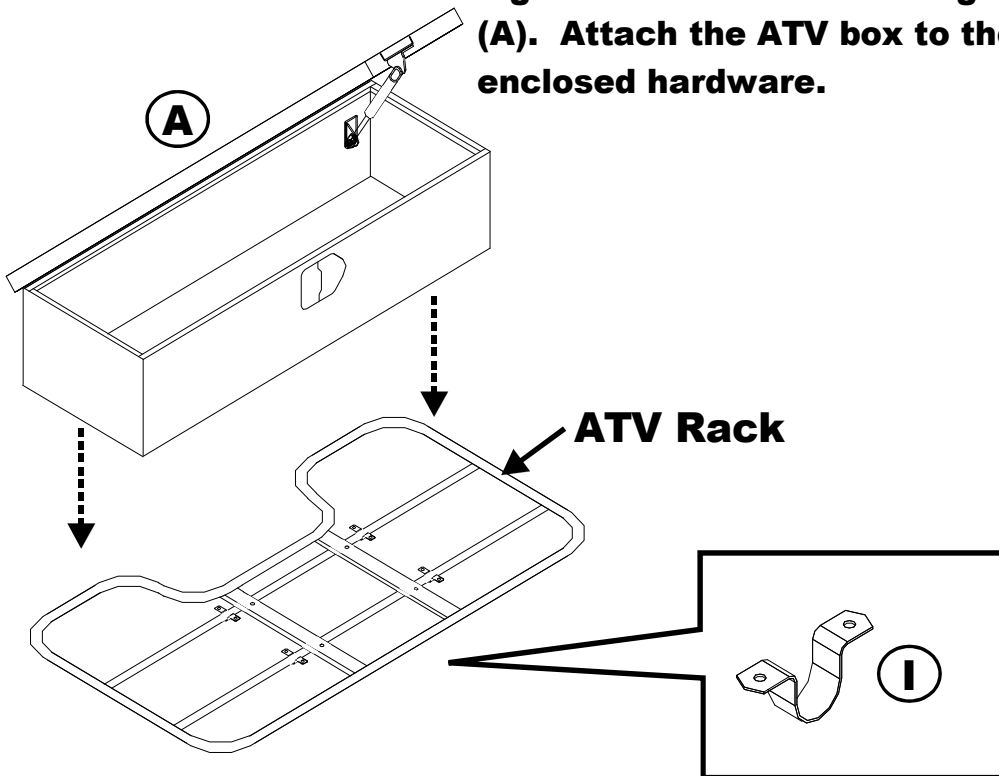
**PHILLIPS
SCREWDRIVER**

Use the diagrams as a guide to locate the ATV rack configuration that will work for your application. Then follow the installation instructions for the ATV rack configuration. **Note: ATV rack configurations may vary from the diagrams. The enclosed mounting brackets and hardware allow the ATV box (A) to be mounted on all ATV rack configurations universally.**

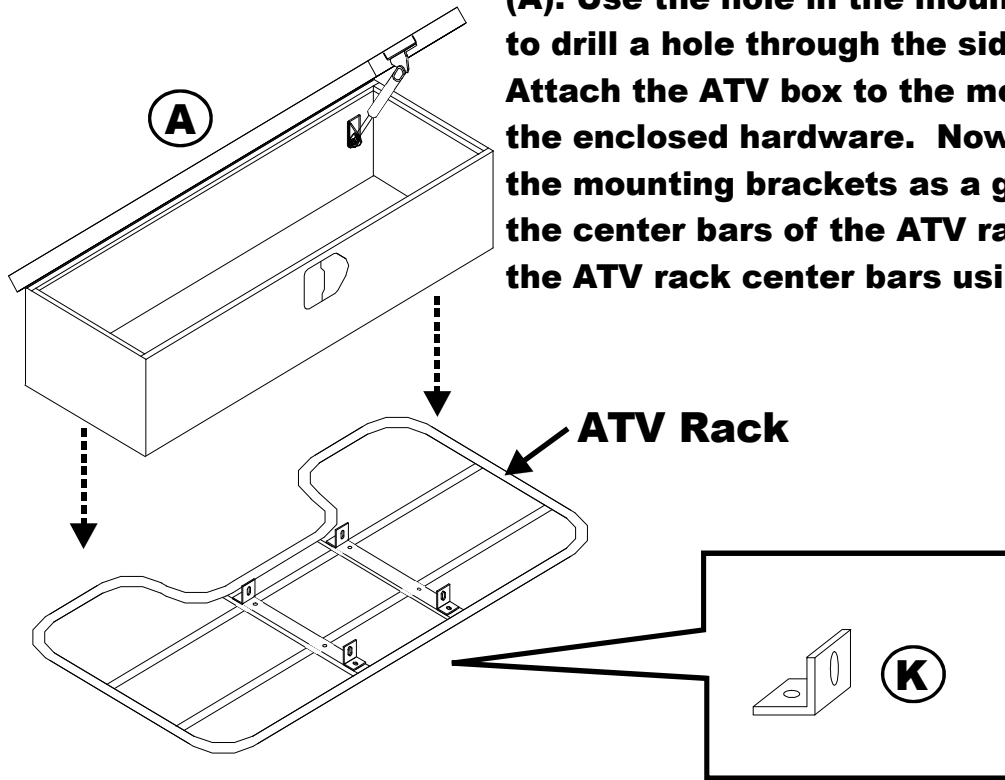
The 3/4" conduit brackets (J) fit to the outside bar of the ATV rack as shown. Place the ATV box (A) over the ATV rack and align the 3/4" conduit brackets (J) with the ATV box (A). Use the hole in the 3/4" conduit brackets (J) as a guide to drill a hole through the bottom of the ATV box (A). Attach the ATV box to the ATV rack using the enclosed hardware.



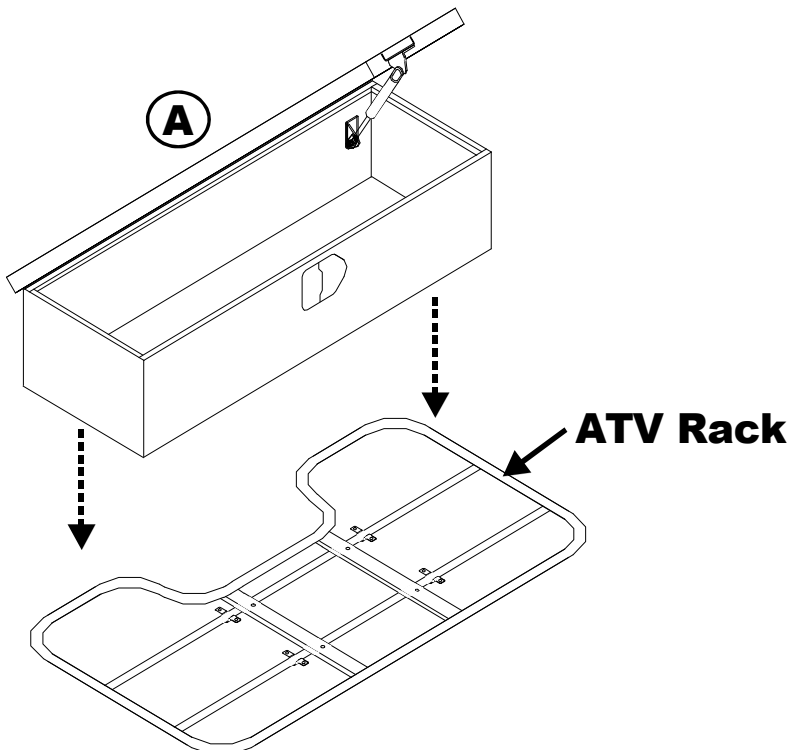
The 1/2" conduit brackets (I) fit to the inside bars of the ATV rack as shown. Place the ATV box (A) over the ATV rack and align the 1/2" conduit brackets (I) with the ATV box (A). Use the hole in the 1/2" conduit brackets (I) as a guide to drill a hole through the bottom of the ATV box (A). Attach the ATV box to the ATV rack using the enclosed hardware.



Mounting brackets (K) fit to the center bars of the ATV rack as shown. Place the ATV box (A) over the ATV rack and align the mounting brackets (K) with the ATV box (A). Use the hole in the mounting brackets (K) as a guide to drill a hole through the side of the ATV box (A). Attach the ATV box to the mounting brackets (K) using the enclosed hardware. Now use the existing hole in the mounting brackets as a guide to drill a hole through the center bars of the ATV rack. Attach the ATV box to the ATV rack center bars using the enclosed hardware.



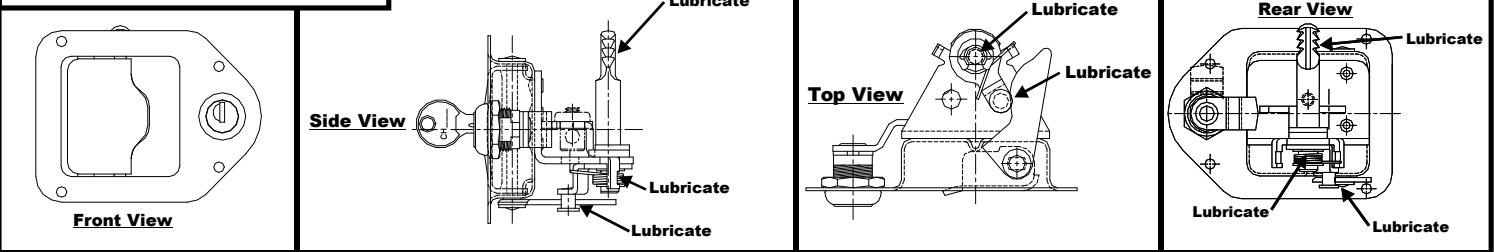
Place the ATV box (A) over the ATV rack and drill holes through the bottom of the ATV box (A) and the ATV rack. Attach the ATV box (A) to the ATV rack using the enclosed hardware.



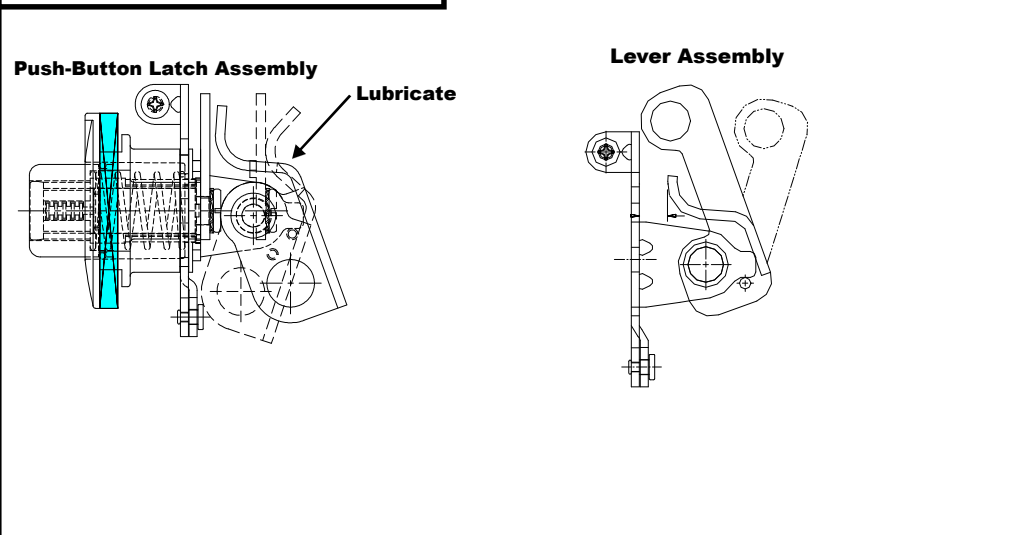
MAINTENANCE INSTRUCTIONS: All locks, latches, latching rods, and hinges should be lubricated regularly to assure smooth and proper operation for the life of the toolbox.

INSTRUCTIONS D'Entretien: Toutes les serrures, verrous, verrouillant des tiges, et des charnières devraient être lubrifiées régulièrement pour assurer l'exécution sans heurt et appropriée pendant la vie de la boîte à outils.

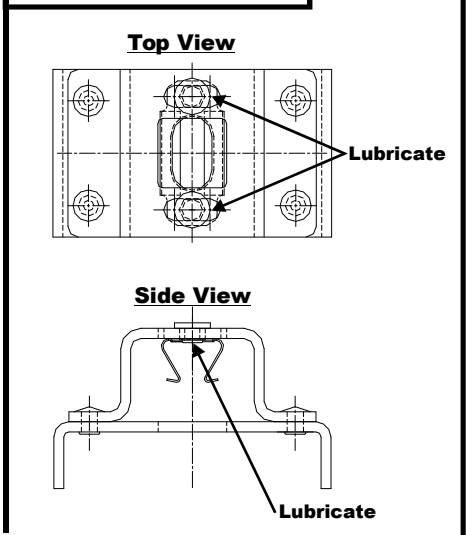
Toolbox Paddle Latch Assembly



Toolbox Pushbutton Latch Assembly



Toolbox Catch Assembly



Ever lose your keys? Save Yourself Time and Trouble?

Order some extra keys now and have them when you need them. Please fill out and mail this portion to us. We'll send you a couple of extra keys for your Tool Box for just \$11.00 (American).

Name: _____

Day Phone: _____ - _____ - _____

Address: _____

Method of Payment:
 Cash, Check, or Money Order
 Master Card
 Visa

City, State, Zip: _____

Expiration Date: _____

KEY and LOCK#: _____

Card Number: _____

Please mail form and payment to : Dee Zee, Inc.
 OR P.O. Box 3090
 Fax to: 515-265-7926 Des Moines, IA 50316

CLEANING INSTRUCTIONS: To maintain the luster of your tool box, use a mild detergent.

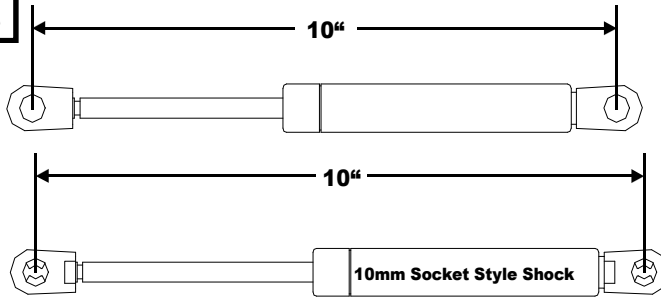
****Locks are provided as a deterrent to inadvertent opening or easy access to the contents of your toolbox. Contents stored in the toolbox are the responsibility of the user.**

After drilling, it is recommended that a sealant or rust inhibitor be placed around all holes drilled into the body panel of the vehicle.

If you should incur any problems with the installation of this product, please feel free to call us at 1-800-779-8222. So that we may better serve you when you call, please have the W/O#, SEQUENCE#, and the DATE from the label on the outside of the box.

Replacement Parts for ATV Toolbox

Shocks



Stock Style Shock

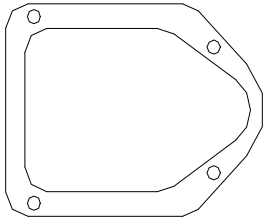
Shock #	20#	40#	70#
Part Number	SL1-20	SL1-40	SL1-70

10mm Socket Style Shock

Shock #	20#	40#	70#
Part Number	SL-3020	SL-3040	SL-3070

Miscellaneous Parts

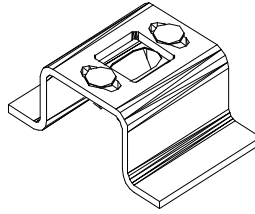
Foam Latch Gasket
Part Number: TB85409



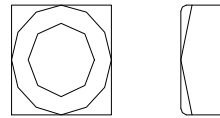
Shock Clip
Part Number: SL-81



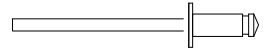
Striker Assembly
Part Number: TB85616



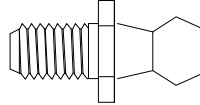
Shock Mount Nut
Part Number: PN 301



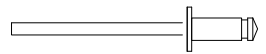
Latch Rivet
Part Number: PN 157



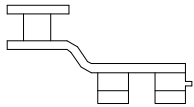
Shock Mount
Part Number: SL-69



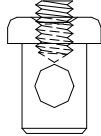
Hinge Rivet
Part Number: PN 208



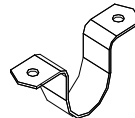
Rod Clip
Part Number: LCC-1



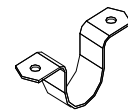
Rod Guide
Part Number: TB85615



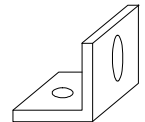
1/2" Diameter Conduit Bracket
Part Number: B 1050



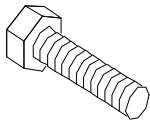
3/4" Diameter Conduit Bracket
Part Number: B1051



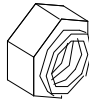
Mounting Bracket
Part Number: B 417



1/4 x 3/4" Hex Head Bolt
Part Number: PN 70



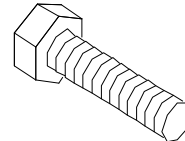
1/4" Hex Nut
Part Number: PN 71



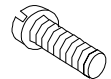
1/4" Flat Washer
Part Number: PN 72



1/4 x 1 1/4 Hex Head Bolt
Part Number: PN 94



#10 Screw
PN 532



#10 Flat Washer
Part Number: PN 218

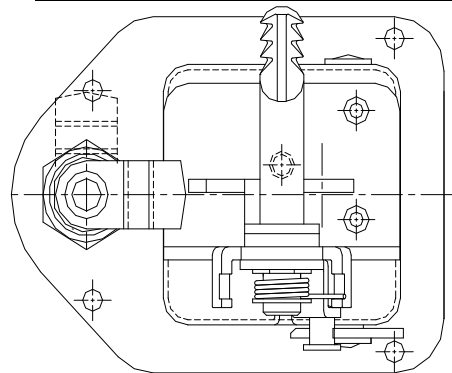


#10 Hex Nut
Part Number: PN 533



Rear View: Locking Latch

Part Number: TB85613



Ordering Replacement Parts:

Ordering replacement parts for your toolbox is fast, convenient, and easy. Just call our customer service phone number at 1-800-779-2102 for pricing and ordering information. Please provide the customer service representative with the part number from the above parts list.