



**Before returning this product  
to the store of purchase**

**Contact Dee Zee if you experience the following problems:**

- Missing Parts
- Installation Problems/Questions
- Warranty Questions

**1.800.779.2102**

Hours of operation: 8am - 5pm CST, Mon-Friday

Review complete warranty policy and register your product at:

**[www.deezee.com](http://www.deezee.com)**

# DB-1500

## Cab Protector Mounting Kit Installation Instructions

### Tools Required

15/16" Wrench  
A Tape Measure

A Hack Saw  
A Utility Knife

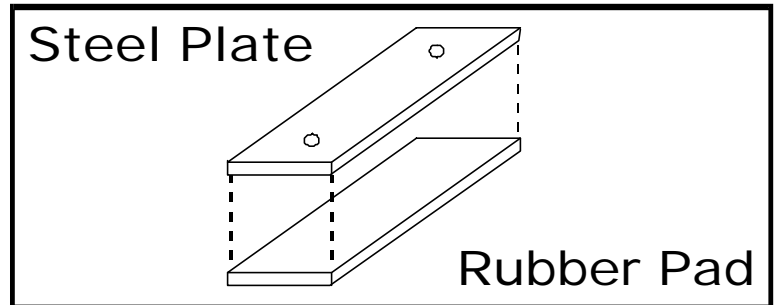
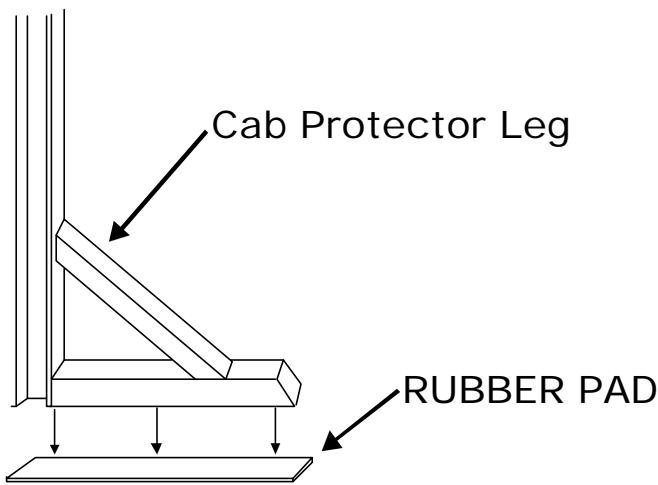
### PARTS LIST:

	QTY
U-Bolts .....	4
Rubber Pads.....	10
Steel Plates .....	8
5/8" Flat Washers.....	8
5/8" Hex Nuts.....	8

**INSTRUCTIONS:** Please take time to read all instructions carefully before beginning installation.

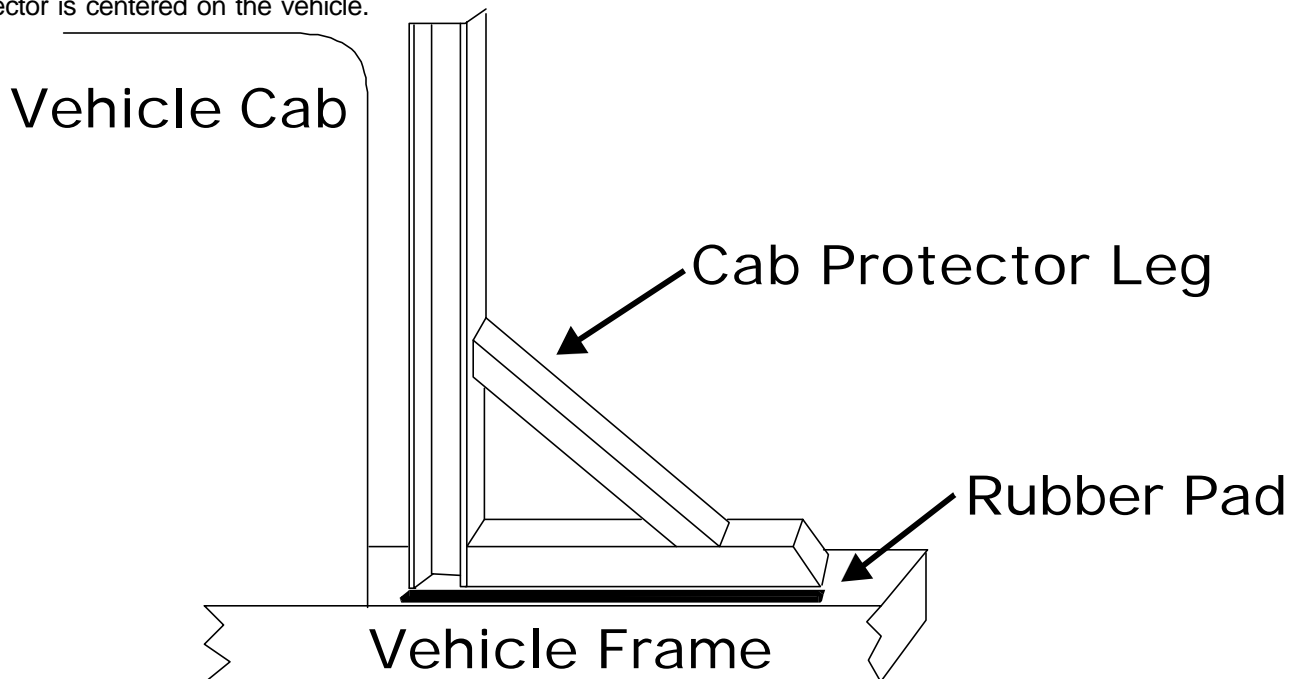
### STEP 1

Using a utility knife, cut the rubber pad to size for eight steel plates and for the base of each of the cab protector legs. There will be a total of ten rubber pads.



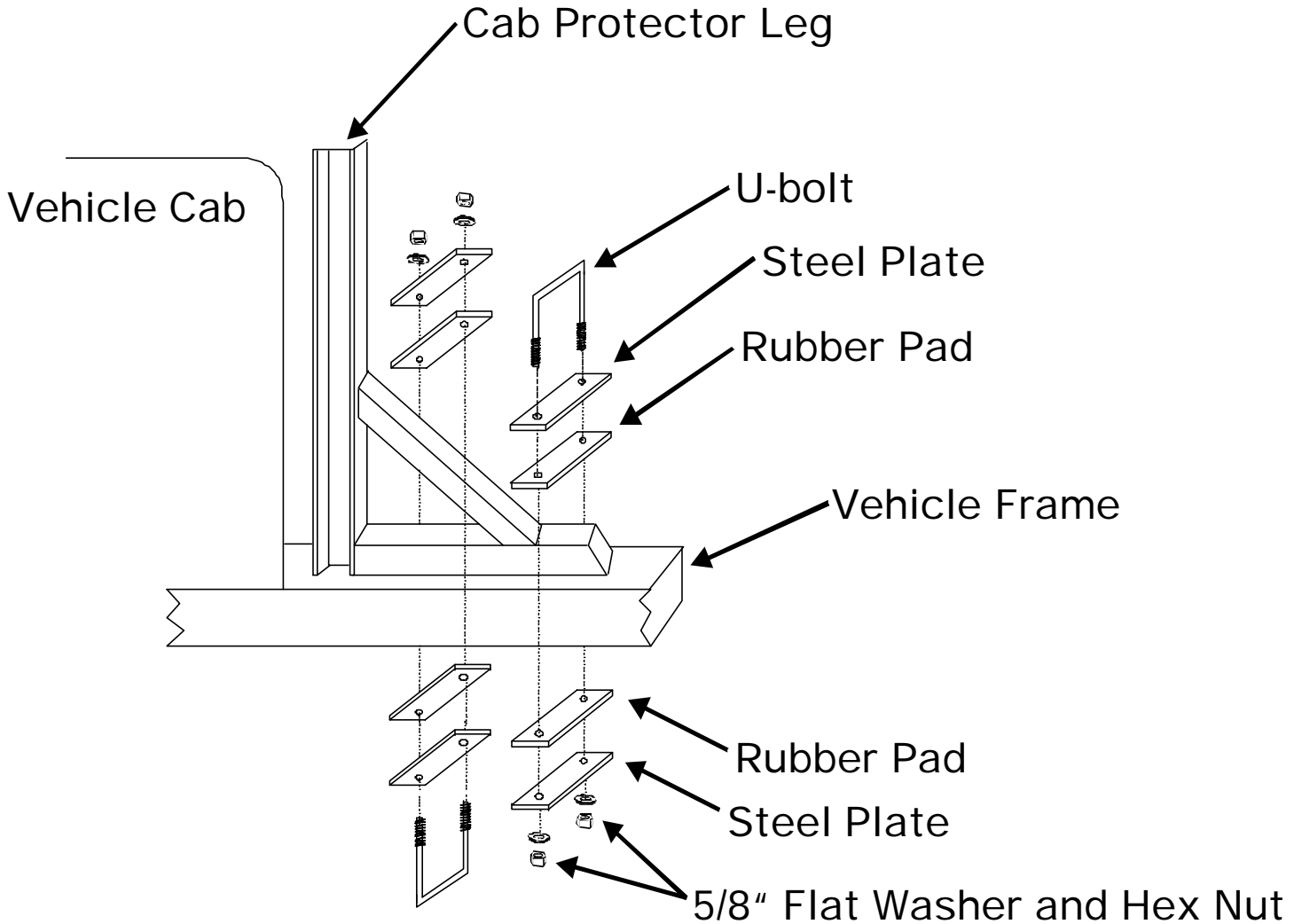
### STEP 2

Place the rubber pad for the cab protector leg onto the frame. Place the cab protector onto the rubber pads and be sure the cab protector is centered on the vehicle.



### **STEP 3**

1. Using the drawing below as a guide, place a U-bolt , Steel Plate, and Rubber pad over the end of the cab protector leg.
2. Secure the U-bolt, Steel Plate, and Rubber pad into place using a Steel plate, Rubber pad, and 5/8" flat washer and hex nut as shown below.
3. Repeat this process for the other end of the cab protector leg. Tighten the 5/8" nut until snug and then cut off the excess U-bolt length with a hacksaw.



*\*\*If you should incur any problems with the installation of this product, please feel free to call us at 1-800-779-8222. So that we may better serve you when you call, please have the W/O#, SEQUENCE#, and the DATE from the labels on the outside of the box.*