

INSTALLATION MANUAL

ENT07431

Level of Difficulty

Easy

Installation difficulty levels are based on time and effort involved and may vary depending on the installer level of expertise, condition of the vehicle and proper tools and equipment.

Weight Carrying Capacity

Gross trailer weight (GTW)	3,500 lbs.
Tongue weight (TW)	350 lbs.

Weight Distribution Capacity

Weight distribution (WD)	5,000 lbs.
WD tongue weight (WDTW)	500 lbs.

Parts List

Item	Qty	Description
1	6	Hex bolt, M12-1.25 x 40mm, CL 10.9
2	6	Conical-toothed washer, 1/2"

Tools Required

Ratchet	Torque wrench
Socket, 19mm	Flathead screwdriver
Socket, 10mm	Aviation shears
Socket extension, 6"	--

⚠ WARNING

Never exceed the vehicle manufacturer's recommended towing capacity.

Product Photo



NOTICE

Before you begin installation, read all instructions thoroughly.

Proper tools will improve the quality of installation and reduce the time required.

This installation requires:

- Trimming of the underbody panel
- NO DRILLING REQUIRED

Periodic inspection of the trailer hitch should be performed to ensure all mounting hardware remains tight and structural components are secure.

To help prevent damage to the product or vehicle, refer to the specified torque specifications when securing hardware during the installation process.

SAFETY INSTRUCTIONS

Safety glasses should be worn at all times while installing this product.

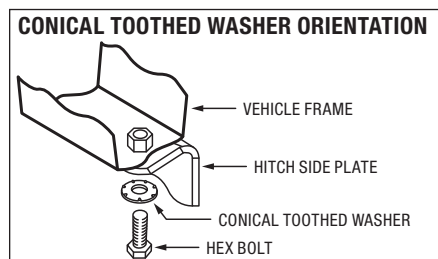
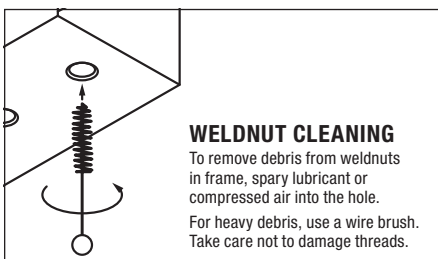
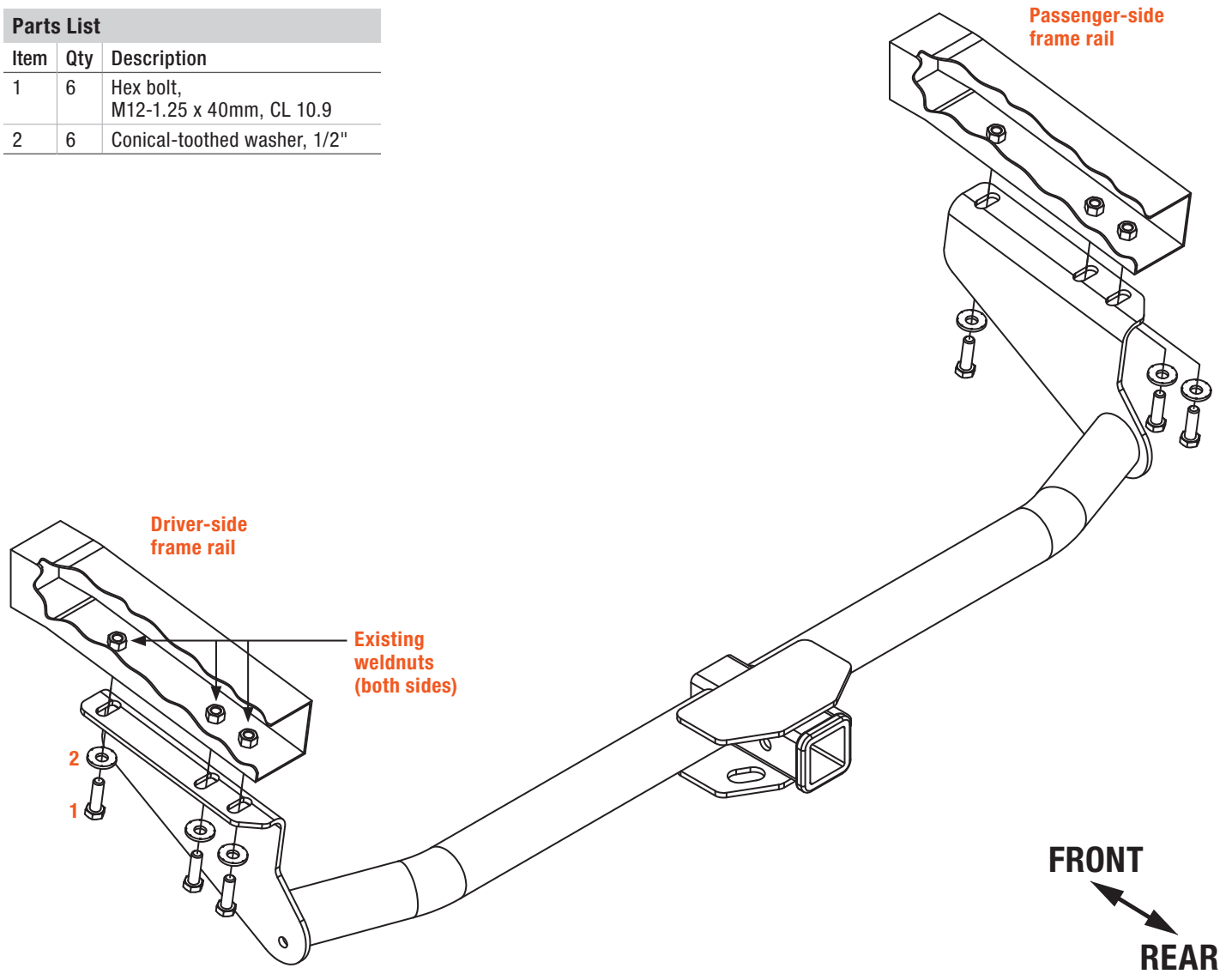
Warranty Information

Our products are backed by industry-leading warranties. For a copy of the product warranties or to provide feedback, please contact our support line using the phone number at the bottom of this document.

ASSEMBLY

Parts List

Item	Qty	Description
1	6	Hex bolt, M12-1.25 x 40mm, CL 10.9
2	6	Conical-toothed washer, 1/2"



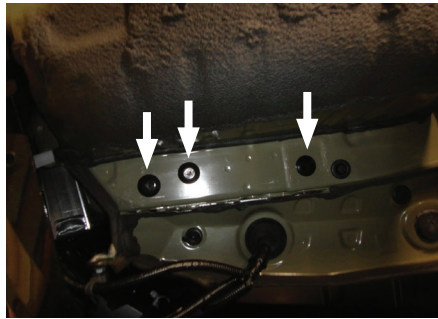
Step 1

Remove the underbody panel from the passenger side of the vehicle by removing three push fasteners and three screws using a 10mm socket.



Step 2

Remove the three hole plugs and clean the weldnuts in each frame rail.



Step 3

Raise the trailer hitch into position and secure with three M12 hex bolts (#1) and conical-toothed washers (#2) on each side.



Step 4

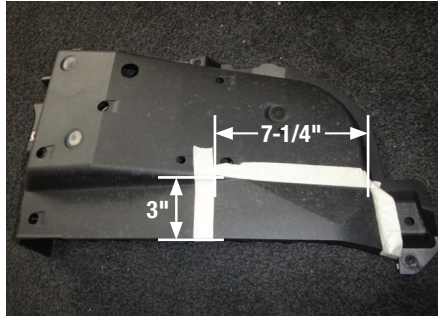
Torque all M12 bolts to 86 lb-ft.



Step 5

Trim the underbody panel using the grooves on the panel as guides. A trim diagram is provided for reference.

Reinstall the panel using the factory hardware.



Final Installed Image

