



GUARANTEED...FOR LIFE.

# WHEEL WELL GUARDS 2020+ CHEVY HD (NEW BODY STYLE)



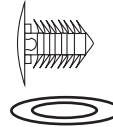
Driver Side Wheel Well (A)

**LIST OF CONTENTS:**

- (A) 1 - Driver Side Wheel Well  
(B) 1 - Passenger Side Wheel Well

**LIK80 KIT:**

- (C) 14 - Christmas Tree Fasteners  
(D) 14 - Rubber Washers



Passenger Side Wheel Well (B)

**TOOLS REQUIRED:**

- T-10 Torx bit / driver used in step 3, 9 and 10.

## INSTALLATION INSTRUCTIONS

**1**

**PLEASE READ INSTRUCTIONS CAREFULLY BEFORE STARTING THE INSTALLATION. One person can perform the installation.**

**2****VEHICLE PREPARATION:**

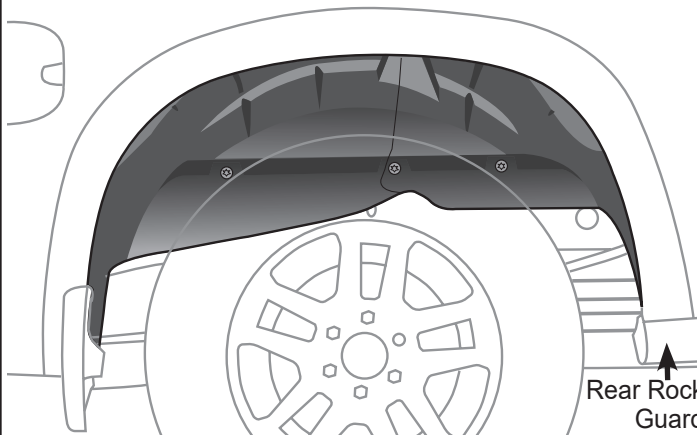
It is important that all areas where the wheel wells mount are clean and free of debris prior to installing.

**3**

Remove the (5) factory fasteners holding the rear rock guard using a T-10 Torx bit / driver.

**Note:** If your truck model came **without** the optional wheel well liners and fasteners please skip to step 4.

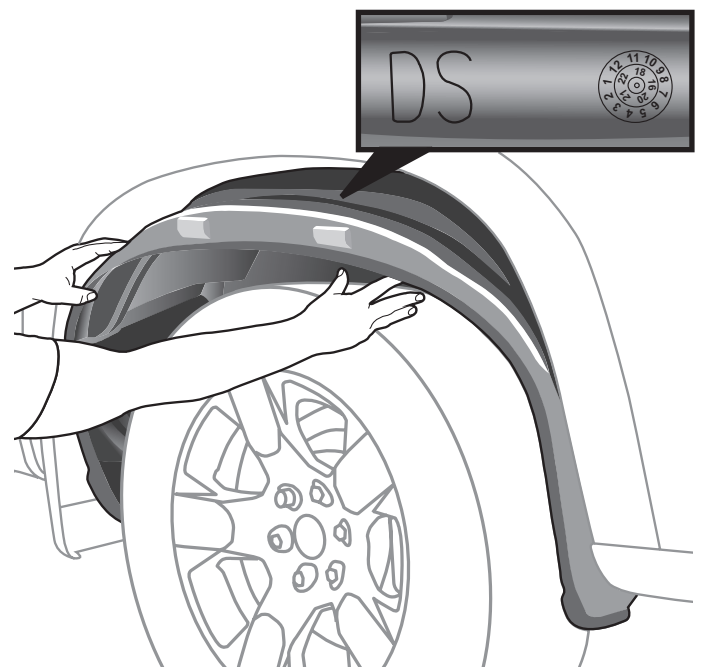
**Note:** If your truck model came **with** the optional wheel well liners and fasteners, remove the (7) factory fasteners using a T-10 Torx bit / driver holding the factory liners in place. **(Keep all factory fasteners).**



Rear Rock Guard

**4**

Start on the driver side by setting the driver side wheel well (A) marked as (DS) inside the inner panel of the truck's wheel well behind the tire.



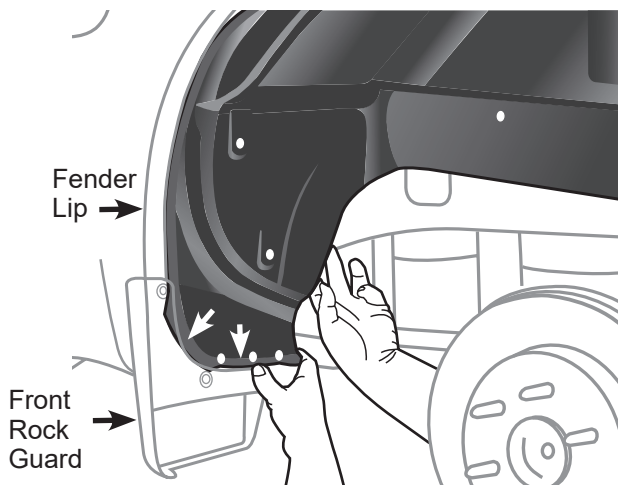


GUARANTEED...FOR LIFE.

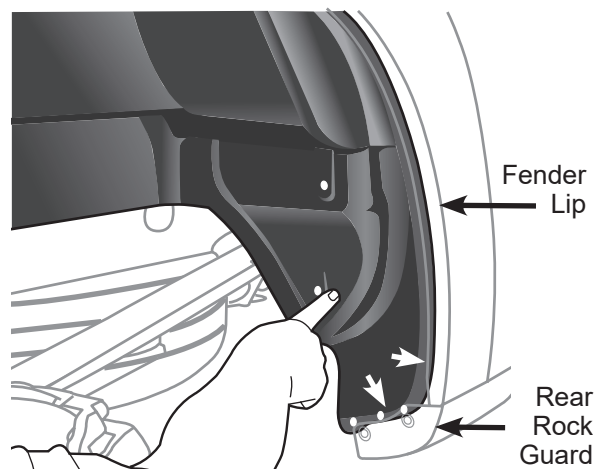
PART# 79051

# 2020+ CHEVY HD (NEW BODY STYLE)

**5** Tuck the lower front cab part of the wheel well liner behind the metal lip of truck's fender first. Also tuck it behind the factory rock guard.

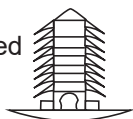


**6** Tuck the lower rear tail part of the wheel well liner behind the metal lip of truck's fender second. Then re-install the factory rock guard.



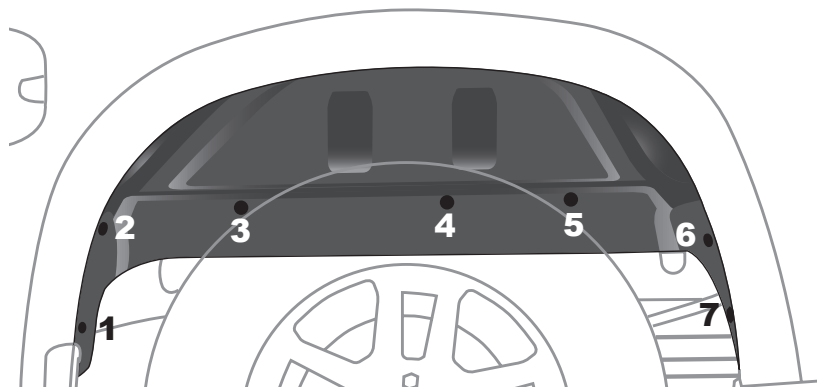
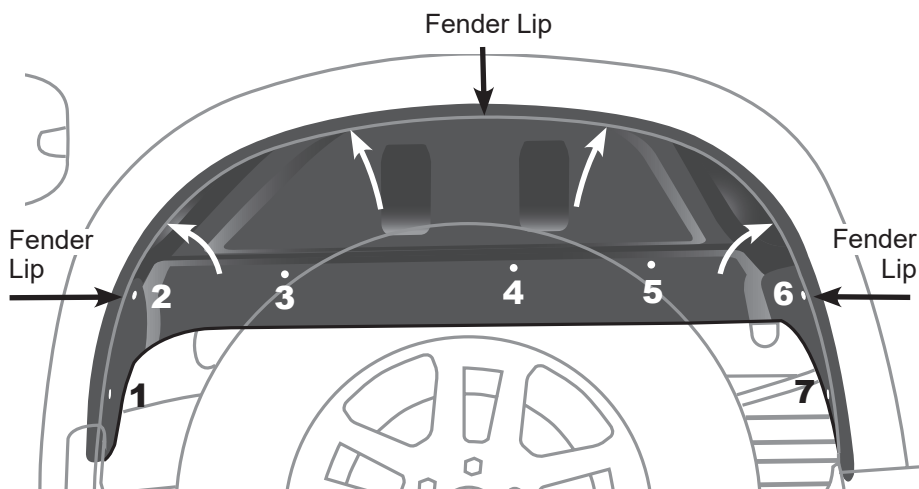
**7** Tuck the upper part of the wheel well liner behind the rest of the metal lip of the truck's fender.

**8** **Note:** If your truck model came **without** the optional wheel well liners and fasteners, use (7) of the Christmas tree fasteners (C) provided to install the liners.



OR

**9** **Note:** If your truck model came **with** the optional wheel well liners and fasteners, re-install the (7) factory fasteners from step 3 along with (7) of the rubber washers (D) provided using a T-10 Torx bit / driver.



**10** Repeat steps 3-9 on the passenger side when installing the passenger side wheel well (B).