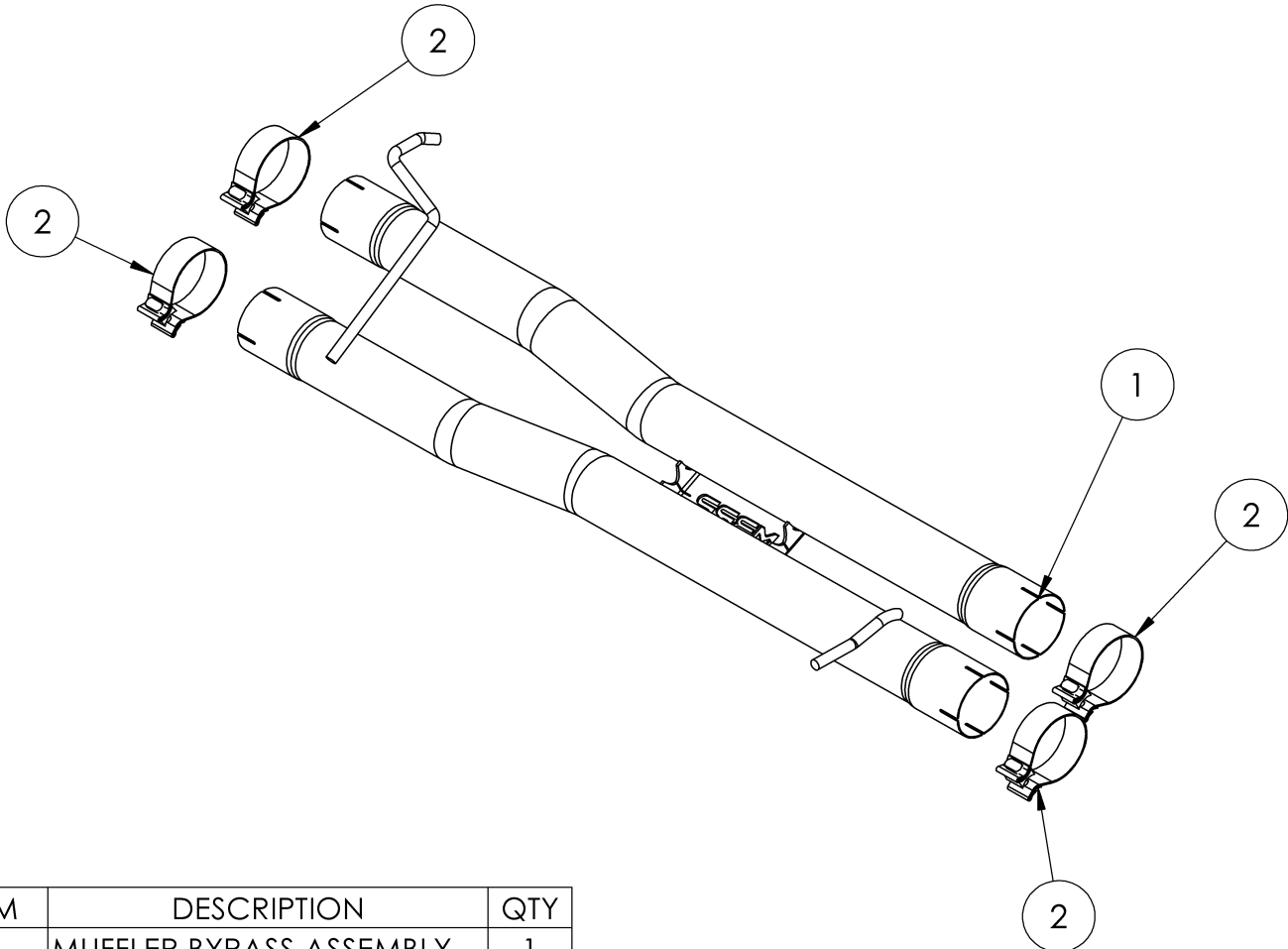


# S5155

2021-2024 RAM 1500 TRX, 6.2 S/C,  
MUFFLER BYPASS, 3.0", RACE

# MBRP®



| ITEM | DESCRIPTION             | QTY |
|------|-------------------------|-----|
| 1    | MUFFLER BYPASS ASSEMBLY | 1   |
| 2    | 3.0" CLAMP              | 4   |

## PLEASE READ BEFORE STARTING INSTALLATION

While MBRP has made every effort to ensure that all components of this system are of superior quality and properly packaged, it is the installer's responsibility to ensure the following before removal of the factory exhaust:

- that ALL components shown above are present.
- that ALL mating components fit together.
- that there are no damaged components.
- that the system you have purchased is appropriate for your vehicle year, model and configuration.
- that the system will not interfere with any modifications previously installed or planned.
- that you have read and understand these instructions.

If you have any questions or are uncertain about any aspect of the installation of this system to your vehicle please contact your dealer before commencing installation.

## Removal of Stock System:



**Figure 1**



**Figure 2**



**Figure 3**



**Figure 4**



**Figure 5**

1. Apply a penetrating lubricant liberally to all hangers, hardware and rubber isolators.

2. Remove the OEM tips from the vehicle, both sides.  
**Refer to Figure 1.**

3. Loosen the passenger side tail-pipe clamp.  
**Refer to Figure 2.**

4. Remove the passenger tail-pipe from the rubber isolator before removing it from the vehicle.

5. Remove both bolts from the Kicker shock located on top of the rear axle. Remove the shock from the vehicle.

**Refer to Figure 3 and 4.**

6. Loosen both clamps at the outlet of the OEM x-pipe.  
**Refer to Figure 5.**

7. Remove the 3 remaining rubber isolators and remove the OEM cat back exhaust assembly from the vehicle by sliding it forward and threading the driver side tailpipe up and over the rear axle.

# MBRP®

## Installation of MBRP Performance Exhaust:



**Figure 6**

**ALL CLAMPS TO BE TIGHTENED ENOUGH TO STILL ALLOW FOR ADJUSTMENT DURING INSTALLATION.**



**Figure 7**

1. Measure 1.25" rearward from the outlet end of the OE Mufflers and mark the pipes. This location is approximately where the OE Pipe increases size as it exits the OE muffler.

**Refer to Figures 6, 7 and 8.**

2. Cut the stock pipes at these measured lines created in Step 1.

**Refer to Figure 7.**

3. Install the **Muffler Bypass Assembly** using two **3.0 Clamps**.

4. Insert both hangers into the OEM isolators.

**Refer to Figures 9 and 10.**

5. Install the OE driver side tailpipe into the driver side outlet of the **Muffler Bypass Assembly** using a **3.0" Clamp**. Install the hanger into the rubber isolator.

**Refer to Figure 11.**

6. Install the OE passenger side over axle pipe into the passenger size outlet of the **Muffler Bypass Assembly** using a **3.0" Clamp**.

**Refer to Figure 12.**

7. Install the OE passenger side tailpipe onto the outlet of the OE passenger side over axle pipe. Install the hanger into the rubber isolator.

8. Install the Tips and adjust to your preference. The OE pipes can be slide fore-aft in the **Muffler Bypass Assembly** to better align the Tips with the bumper.

**Refer to Figure 13.**



**Figure 8**



**Figure 9**



**Figure 10**



**Figure 11**



**Figure 12**



**Figure 13**

9. Reinstall the kicker shock. This shock is gas charged and very stiff. It will need to be compressed in order to install both bolts. Install the rear bolt first then use a prybar on the front mounting bracket and compress the shock to install the front bolt.

10. Align the edge of each band clamp with the edge of the joint it is connecting. Tighten all hardware and clamps, starting at the front and working rearward to secure the system. Check along the full length of the exhaust system to ensure there is adequate clearance for fuel lines, vent lines, brake lines, frame, bodywork, suspension, and any wiring, etc. If there is any interference detected, relocate, or adjust to provide adequate clearance. Ensure all clamp connections are secure and components are unable to rotate or slide. Band clamps require approximately 45 lb-ft (60 N-m) of torque. Verify clearances, system security and band clamp torque after 30-60 miles (50-100 km) of driving.

**Congratulations!** You are ready to begin experiencing the improved power, sound and driving experience of your **MBRP** performance exhaust system. We know you will enjoy your purchase.