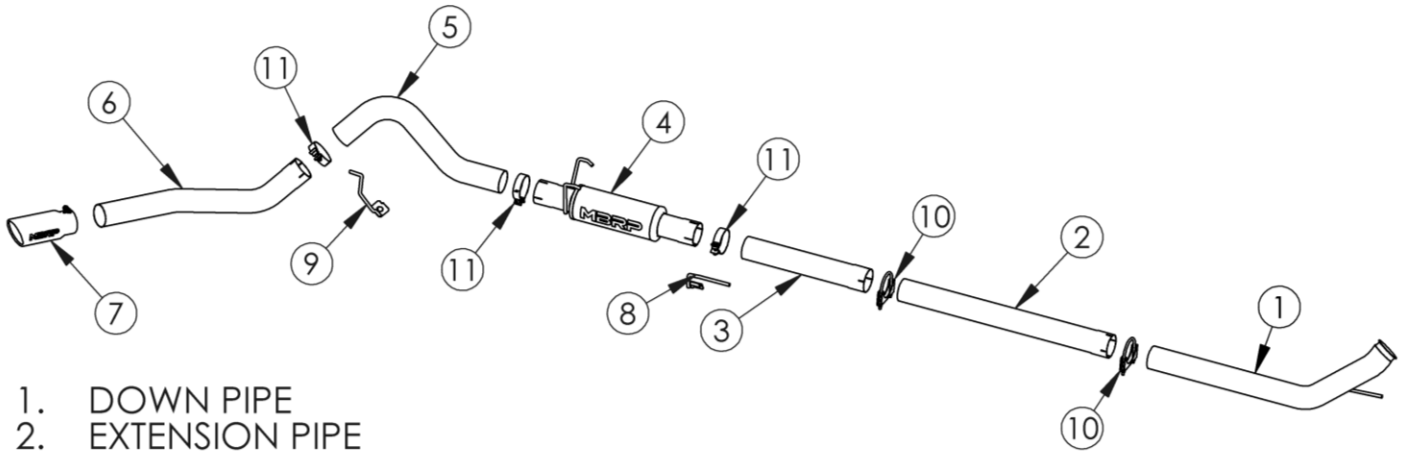


# S6104

03-04 DODGE 2500/3500 5.9L CUMMINS,  
TURBO BACK, 4" SINGLE SIDE  
NOT FOR USE ON VEHICLES EQUIPPED WITH  
CATALYTIC CONVERTER

# MBRP



1. DOWN PIPE
2. EXTENSION PIPE
3. MID PIPE
4. HIGH FLOW MUFFLER
5. OVER-AXLE PIPE
6. TAIL PIPE
7. EXHAUST TIP
8. HANG TIGHT™ HANGER
9. HANG TIGHT™ HANGER
10. 4" SADDLE CLAMP (2PCS)
11. 4" BAND CLAMP (3PCS)

\*NOTE: MUFFLER MAY NOT BE EXACTLY AS SHOWN

## PLEASE READ BEFORE STARTING INSTALLATION

While MBRP Inc. has made every effort to ensure that all components of this system are of superior quality and properly packaged, it is the installer's responsibility to ensure the following before removal of the factory exhaust:

- that ALL components shown above are present.
- that ALL mating components fit together.
- that there are no damaged components.
- that the system you have purchased is appropriate for your vehicle year, model and configuration.
- that the system will not interfere with any modifications previously installed or planned.
- that you have read and understand these instructions.

If you have any questions or are uncertain about any aspect of the installation of this system to your vehicle please contact your dealer before commencing installation.

# MBRP

## Removal of Stock System



Figure 1



Figure 2



Figure 3



Figure 4

1. Apply a penetrating lubricant liberally to all exhaust fasteners, hangers and rubber insulators.
2. Remove the exhaust system from the rubber insulators and remove all of the clamps from the system.
3. Separate the slip joint behind the muffler and remove the tail pipe.
4. Separate the slip joint connecting the down pipe and the extension pipe. Remove the muffler and extension pipe.
5. Loosen the band clamp connecting the down pipe to the turbo and remove the down pipe. **Do not discard the band clamp as it is required for the installation. Refer to Figure 1.**

## Installation of MBRP Ltd. Performance Exhaust

1. Install the **Down Pipe** in the same position as the stock down pipe by sliding the hanger into the OEM hanger bracket and then attaching the flared end to the turbo using the stock band clamp. Do not fully tighten until all components are in place. **Refer to Figure 2.**

2. Install the **Extension Pipe** over the **Down Pipe** using a **4" Saddle Clamp**. The **Mid Pipe** is also required for the Quad Cab Long Bed. The **Extension Pipe** may require cutting to accommodate vehicles other than the Quad Cab long bed. (Installation tip: Temporarily hang the **Muffler** in place using the three OEM rubber hangers and measure from the **Muffler** to the down pipe to determine the length required). **Refer to Figure 3.**

3. Install the **Mid Pipe** onto the **Extension Pipe** using a **4" Saddle Clamp**. Do not fully tighten the clamp yet.

4. Install the **Hang Tight™ Hanger** onto a **4" Band Clamp** using the procedure shown on page 3. (Hang Tight™ Hanger not exactly as shown).

# MBRP



Figure 5

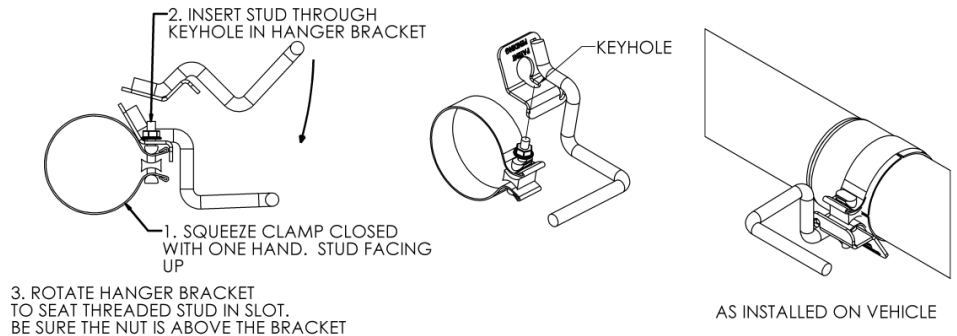


Figure 6



Figure 7

5. Install the **Muffler** onto the **Mid Pipe** using **Hang Tight™ Hanger** assembly. Install the **Muffler** hangers into the two OEM rubber insulators located above the outlet of the **Muffler**. Do not fully tighten the clamp yet. **Refer to Figure 4.**

6. Install the **Over-Axle Pipe** into the end of the **Muffler** using the **4" Band Clamp**. Do not fully tighten the clamp yet.

7. Install the **Hang Tight™ Hanger** onto a **4" Band Clamp** using the procedure shown above. (Hang Tight™ Hanger not exactly as shown). Install the **Tail Pipe** onto the end of the **Over-Axle Pipe** using **Hang Tight™ Hanger** assembly. Install the **Tail Pipe** hanger into the factory rubber insulator. Do not fully tighten the clamp yet. **Refer to Figure 5 & 6.**

8. Install and adjust the **Exhaust Tip** to suit. Tighten the bolt located on the **Exhaust Tip**. **Refer to Figure 7.**

9. Align the edge of each band clamp with the edge of the joint it is connecting. Tighten all hardware and clamps, starting at the front and working rearward to secure the system. Check along the full length of the exhaust system to ensure there is adequate clearance for fuel lines, vent lines, brake lines, frame, bodywork, suspension, and any wiring, etc. If there is any interference detected, relocate, or adjust to provide adequate clearance. Ensure all clamp connections are secure and components are unable to rotate or slide. Band clamps require approximately 45 lb-ft (60 N-m) of torque. Verify clearances, system security and band clamp torque after 30-60 miles (50-100 km) of driving.

**Congratulations!** You are ready to begin enjoying the improved performance and driving experience of your **MBRP Ltd.** performance exhaust system. We hope you enjoy your purchase.