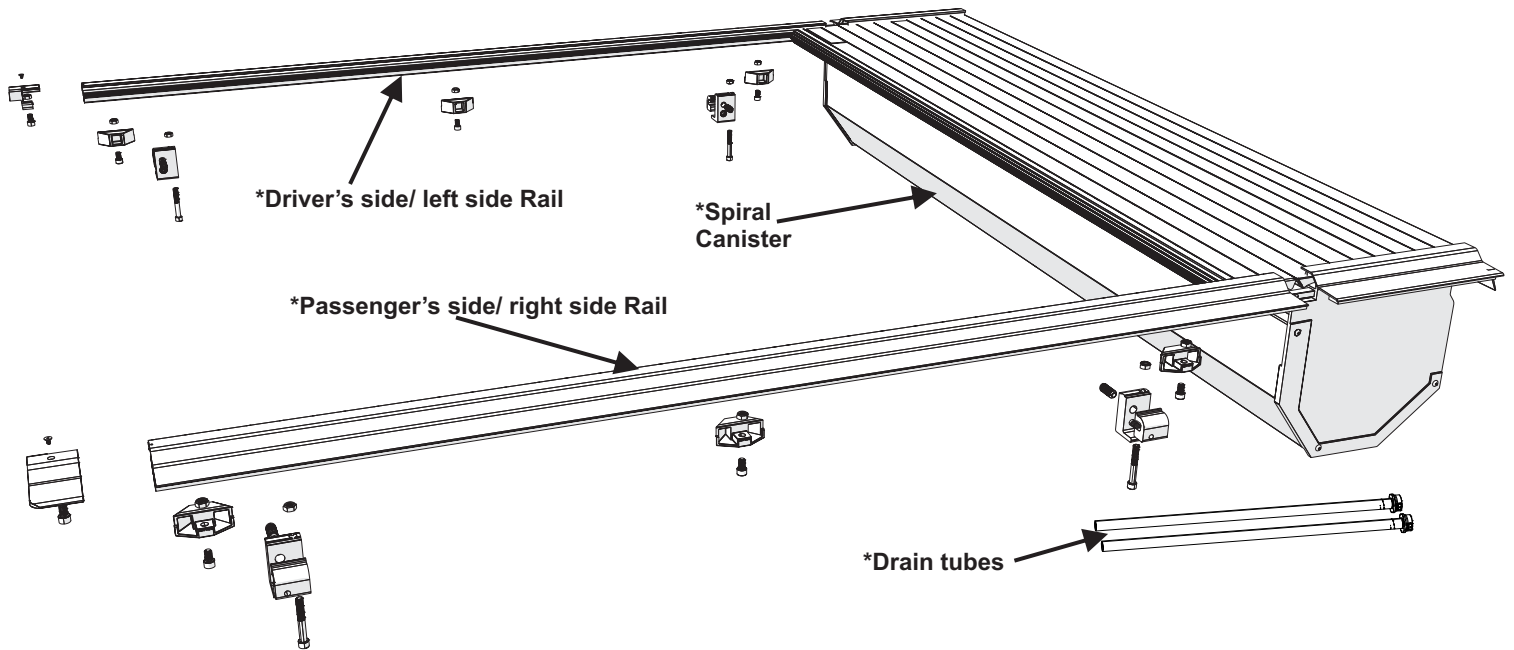


# Retractable Truck Bed Cover

Installation Instructions & Warranty



## Table of Contents

**NOTE:** Some models require specific steps and parts. Please check below. If your model is listed, follow the instructions on that page!

- Pg. 1** Exploded view, Table of Contents, Parts check lists, tools required
- Pg. 2** Steps 1 - 4
- Pg. 3** Step 4 continued, steps 5 & 6
- Pg. 4** Steps 7, 8 & 9
- Pg. 5** Steps 10 & 11, Final Note
- Pg. 6** Toyota Tundra 5.5' bed, '07 - up
- Pg. 7** Ram 6.5' bed 1500, '09 - '18 and 2500/3500, '10 - '19
- Pg. 8** GMC/Chevy 1500, '19 - up; and 2500/3500 HD, '20 - up
- Pg. 9** Ford Ranger '19 - up
- Pg. 11** Warranty Statement

## Parts Checklist

\*In addition to the rails, canister assembly and drain tubes.

- A** (4) 5/16-18x1.625 fasteners, or 5/16-18x2.25 fasteners for GM
- B** (8) 5/16-18x0.50 fasteners
- C** (12) 5/16 Nylon locknut
- D** (2) 10-32x0.75 Torx screws
- E** (4) 1/2-13x1.20 Socket head Nylon set screws
- F** (4) Clamps- May vary depending on truck model
- G** (6) Latch stops
- H** (20) Rail end caps
- I** (2) 6-32x0.250 screws

## Tools required

x- not provided

- J** 6mm Allen wrench
- K** 5/64" Allen wrench
- L** T25 Torx bit
- M** 1/8" thick measurement tool
- x** Tape measure
- x** Hex handle or driver

## Pre-assembly Guidelines

Please read all instructions before assembling the bed cover.

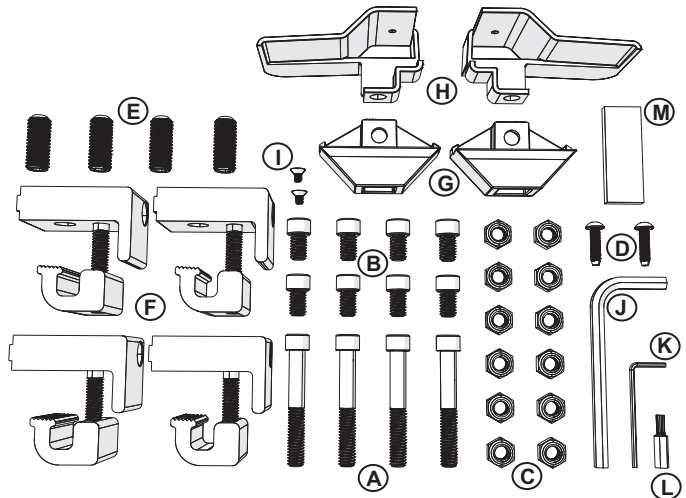
Keep the boxes and packaging until the installation is complete.

Unpack carefully to prevent scratching.

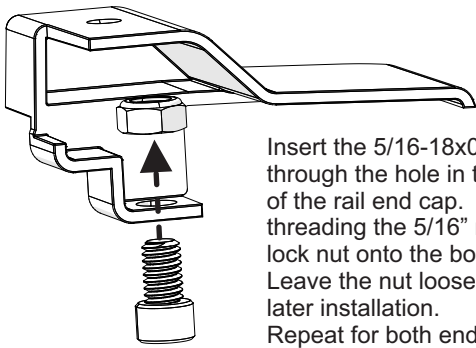
DO NOT remove any protective films from the cover and canister until after the installation is complete.

DO NOT USE A LUBRICANT OR LOCTITE BRAND PRODUCTS ON THE ROLLING COVER.

USE OF THESE WILL VOID THE WARRANTY.

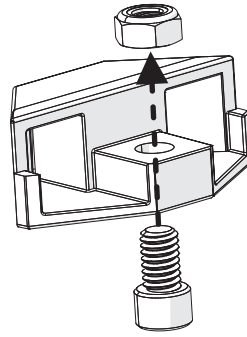


### STEP 1: Assemble the rail end caps



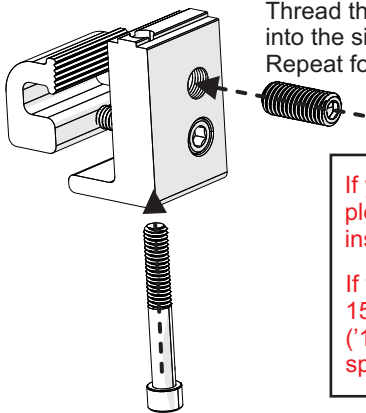
Insert the 5/16-18x0.50 bolt through the hole in the bottom of the rail end cap. Start by threading the 5/16" nylon lock nut onto the bolt, Leave the nut loose for later installation. Repeat for both end caps.

### STEP 2: Assemble the latch stops



Insert the 5/16-18x0.50 bolt through the hole in the bottom of the latch stop. Start by threading the 5/16" nylon lock nut onto the bolt, Leave the nut loose for later installation. Repeat for all of the latch stops.

### STEP 3: Assemble the clamp



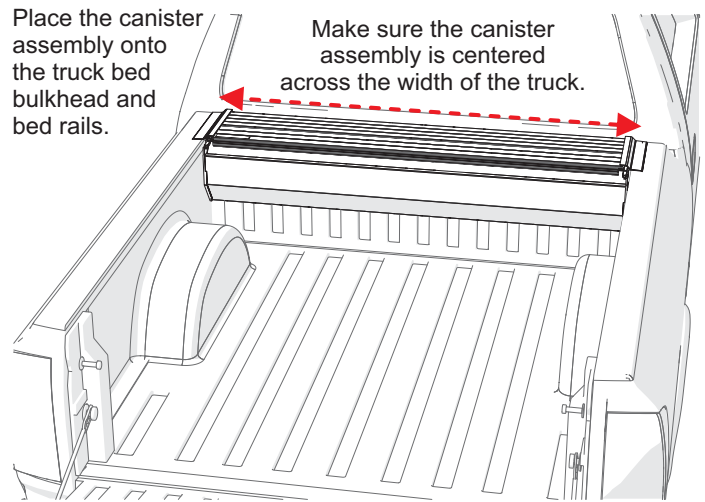
Thread the nylon set screw into the side of the clamp. Repeat for all of the clamps.

If you have a 2019-up Ford Ranger, please see page 9 for special installation instructions.

If you have RAM 6.5ft. bed ('09-'18), 1500 Classic ('19) & 2500/3500 ('10-'19), please see page 7 for special installation instructions.

Thread 5/16-18x1.625 bolt, or the 5/16-18x2.25 bolt for GM into the bottom of the clamp. Repeat for all of the clamps.

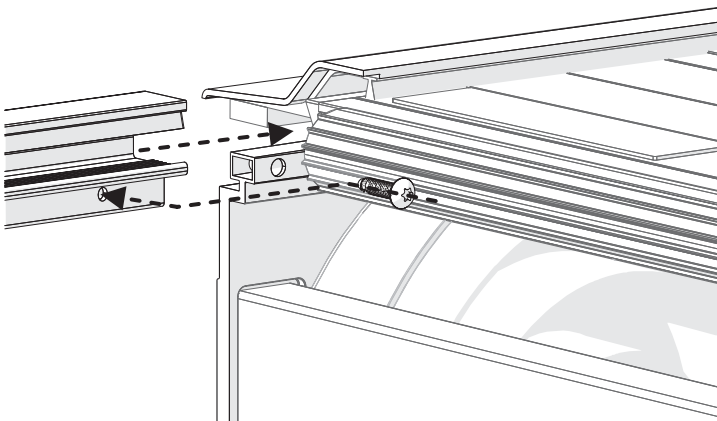
### STEP 4: Assemble the cover on the truck bed



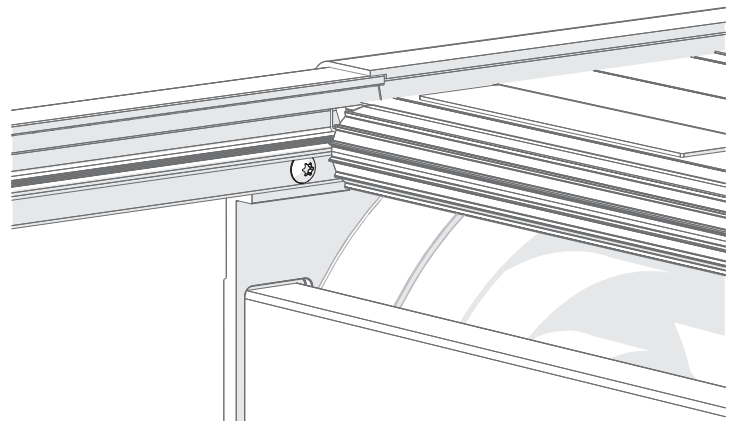
Place the canister assembly onto the truck bed bulkhead and bed rails.

Make sure the canister assembly is centered across the width of the truck.

### STEP 4: Assemble the cover on the truck bed

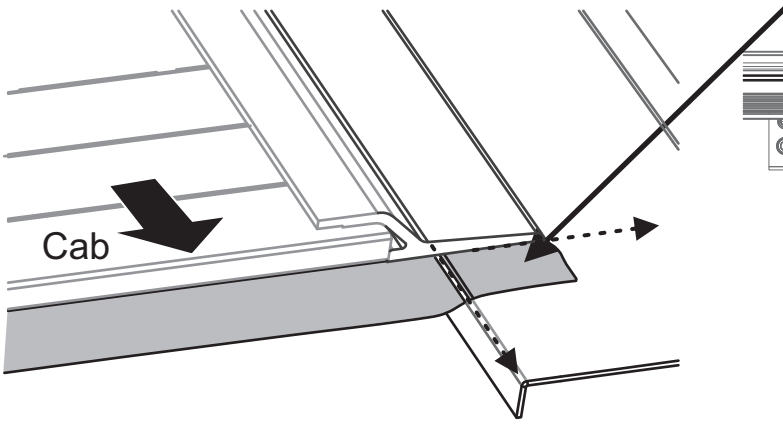


Slide the rails into the canister tabs, and align the hole in the rail with the hole in the canister tab. Insert the 10-32x0.750 Torx screw and tighten the screws to be flush and touching the surface of the rail.

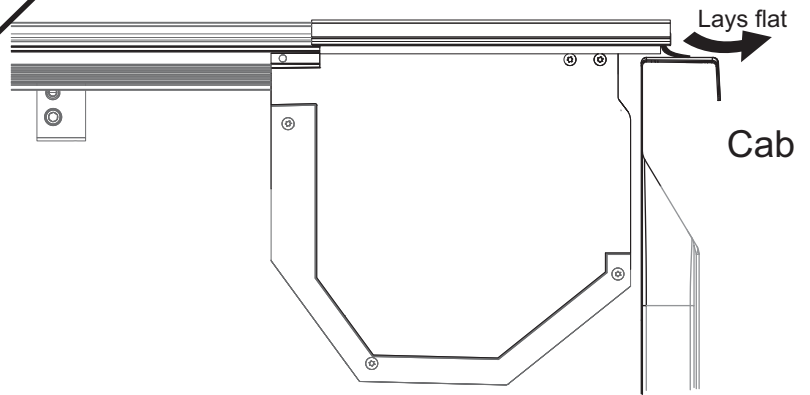


The head of the screws will protrude slightly from the hole on the back side of the rail. Tighten fully, using the T25 Torx bit. Note: the fastener will be tight and require force when installing due to the self-tapping feature of the fastener.

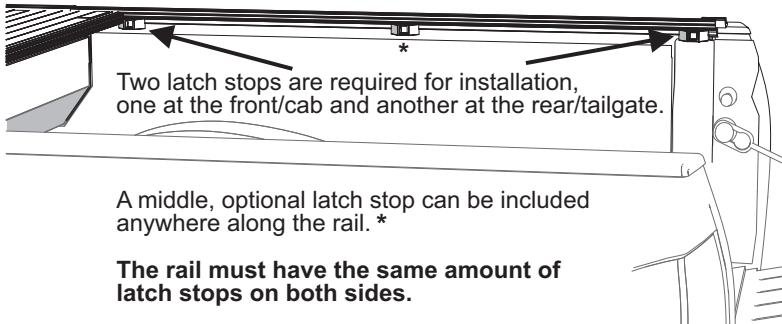
## STEP 4: Assemble the cover on the truck bed



NOTE: With the cover in place, the front seal must lay flat across the truck bed bulkhead, but must also not extend past the bed rail cap. Trim the seal as needed to ensure that it lays flat.



## STEP 5: Insert latch stops

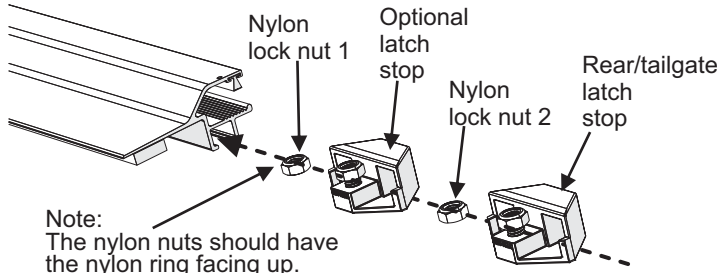


Two latch stops are required for installation, one at the front/cab and another at the rear/tailgate.

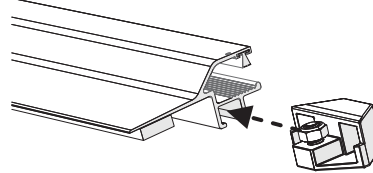
A middle, optional latch stop can be included anywhere along the rail. \*

The rail must have the same amount of latch stops on both sides.

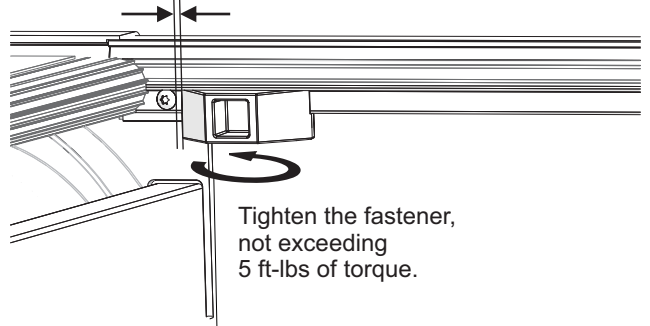
5b- After the front/cab latch stop, slide the remaining stops in coordination with the clamp nuts in the order shown. They will be positioned in a later step.



5a- Slide one assembled latch stop into each side rail.

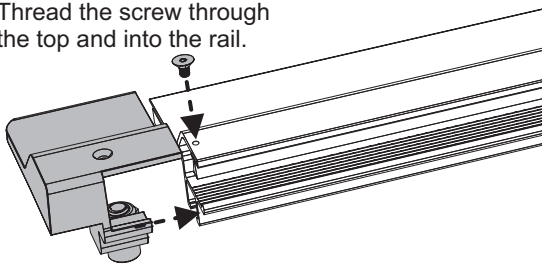


Position the first latch stops forward toward the cab, 1/16" (1.6mm) from the rail fastener.

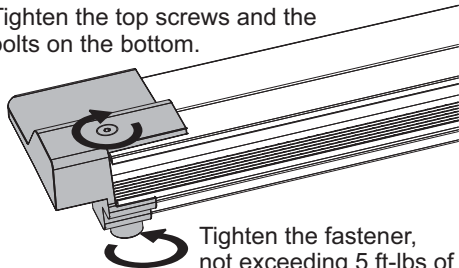


## STEP 6: Attach the rail end caps and position the cover

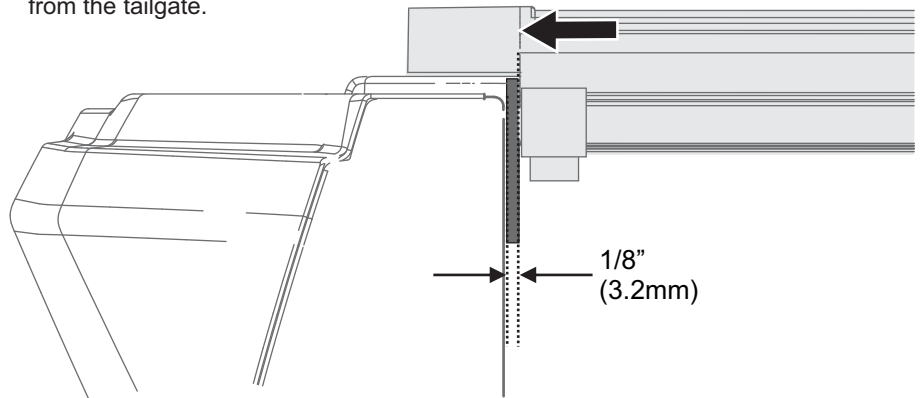
6a- Slide the rail end caps onto the end of each rail. Thread the screw through the top and into the rail.



Tighten the top screws and the bolts on the bottom.

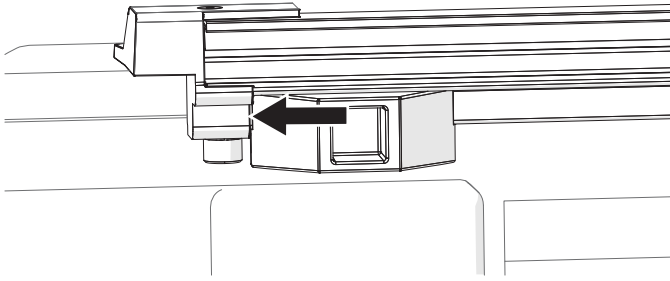


6B- Move the cover back toward the tailgate and use the 1/8" spacer to position both rails to be 1/8", (3.2mm) from the tailgate.



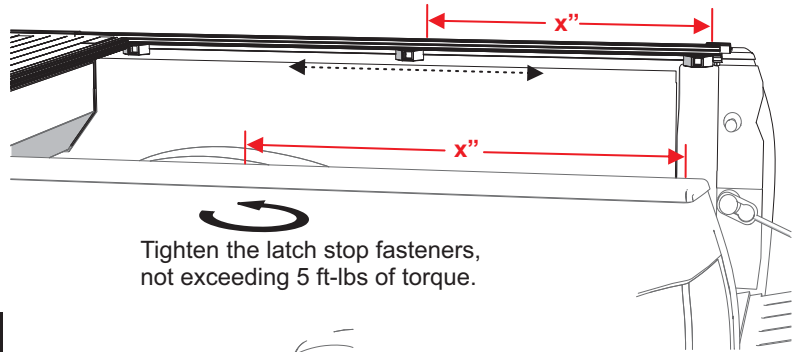
## STEP 7: Position the rear/tailgate and optional latch stops

7a- Position the rear/tailgate latch stop to be flush against the rail end cap.



7b- Optional latch stops can be placed anywhere along the rail.

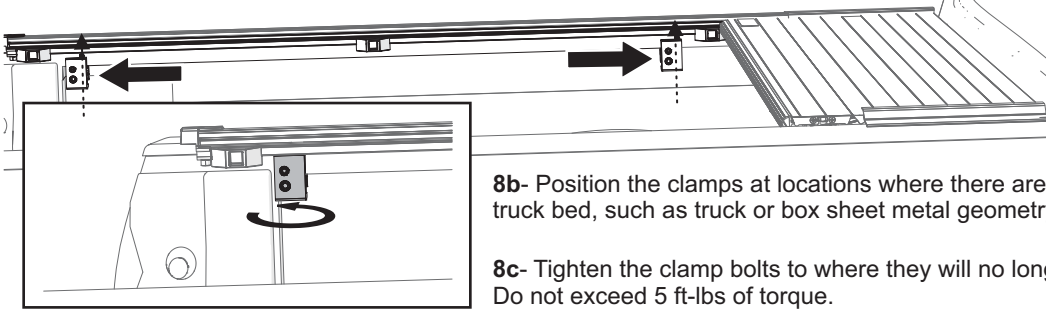
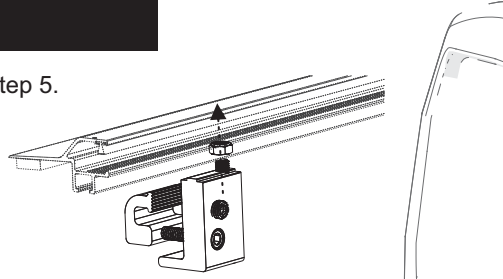
The rail must have the same amount of latch stops on both sides. And it is crucial that latch stops are positioned evenly between both sides.



Tighten the latch stop fasteners, not exceeding 5 ft-lbs of torque.

## STEP 8: Install the clamps

8a- Locate the nylon nuts installed into the rails in Step 5. Slide one nut as far forward toward the cab as possible, and the second as far rear toward the tailgate as possible. Thread the clamp bolts in to the nut. Position the clamps as close to the latch stops as possible.



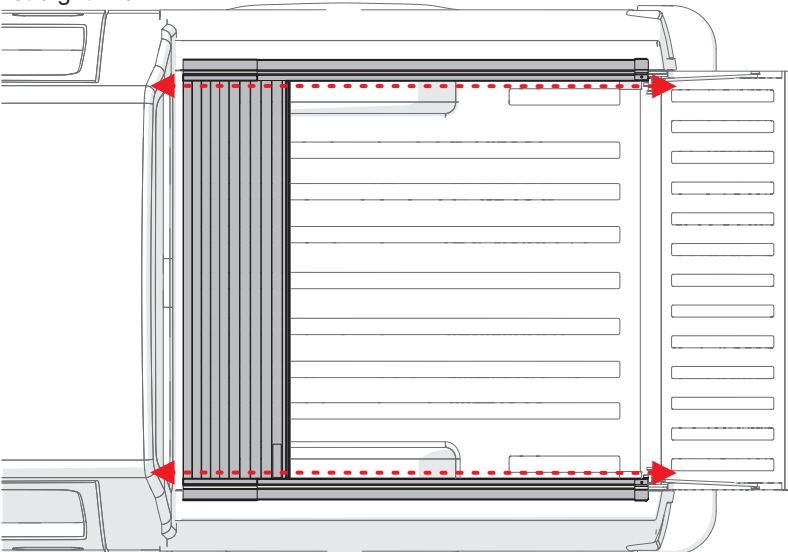
8b- Position the clamps at locations where there are no obstructions from any parts of the truck bed, such as truck or box sheet metal geometry, plastic bed rail caps, etc.

8c- Tighten the clamp bolts to where they will no longer slide in the rail channel. Do not exceed 5 ft-lbs of torque.

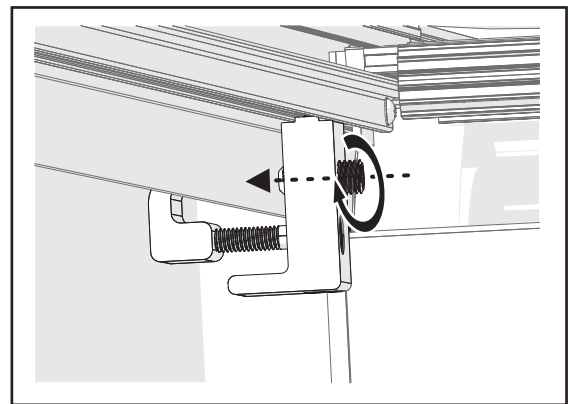
**If you have a 2007-up Toyota Tundra, please see page 6 for special installation instructions.**  
**If you have a 2019-up GMC/Chevy, please see page 8 for special installation instructions.**  
**If you have a 2019-up Ford Ranger, please see page 11 for special installation instructions.**

## STEP 9: Align the rails

9a- Align the cover rails with the spiral rail section so that they are in a straight line.



9b- Turn each of the nylon set screws in each clamp until it contacts the truck bed rail.

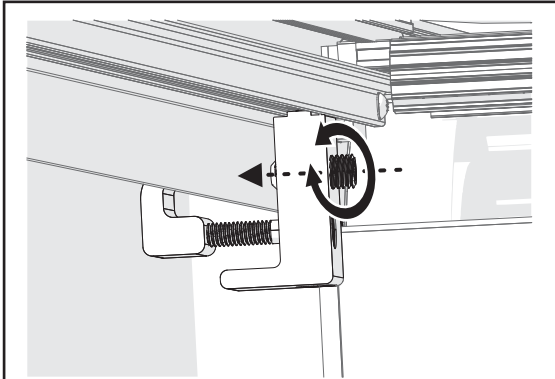
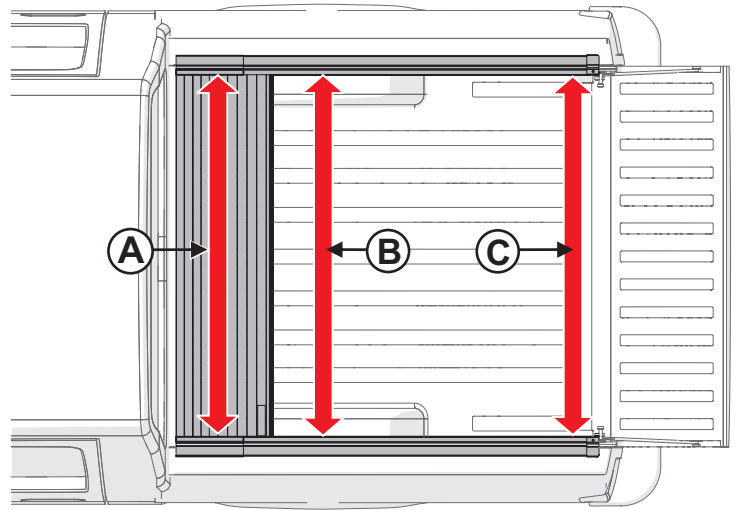


## STEP 10: Measure and adjust the position of the rails

**10a-** Measure the distance at point A (on top of the front cover).

**10b-** Then measure the distance at points B & C (above each clamp). They must measure the same, within  $\pm 1/16"$ , as at point A.

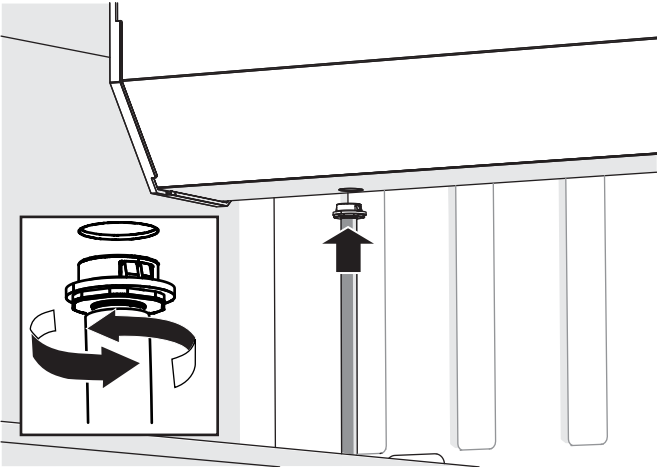
**10c-** If adjustments need to be made, loosen the clamp and turn the nylon set screw in or out to make the rails parallel.



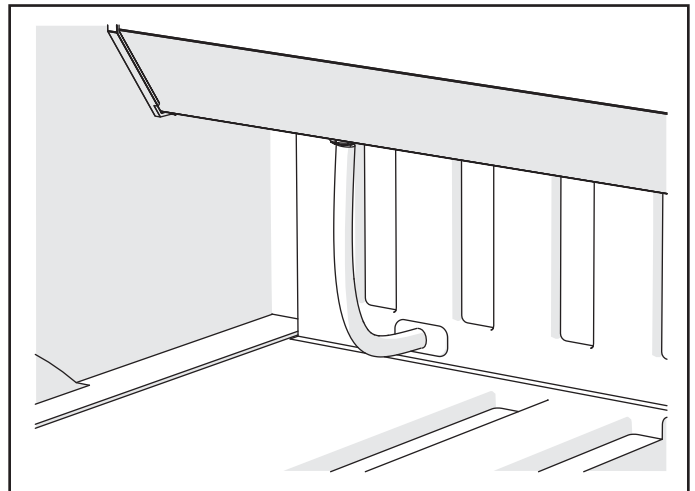
When fully adjusted, re-tighten all of the clamps to secure the cover to the truck.

## STEP 11: Install the drain tubes

**11a-** Insert the drain tube into the canister on both sides, rotate to the right, clockwise, the fitting will click twice when secure.

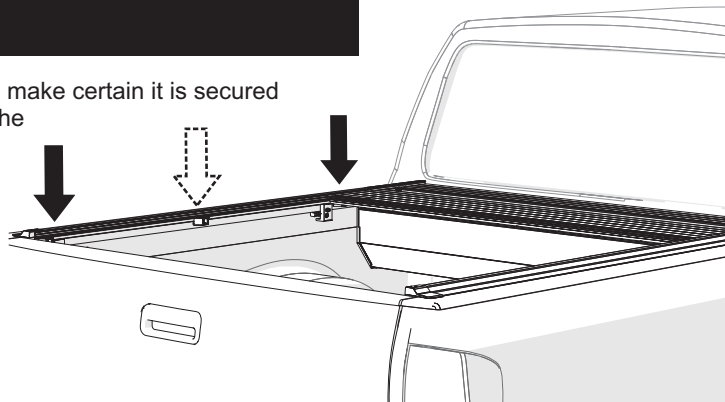


**11b-** Generally the drain tubes will be routed out through a hole drilled in the factory bed plug. Otherwise a suitable existing hole must be utilized. Or a new hole can be drilled taking great caution to be aware of lines and anything behind where the hole is drilled.



## Final note

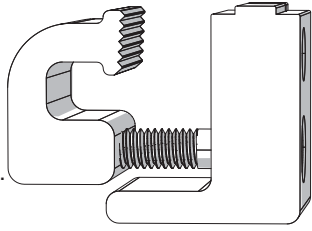
When the cover is not in use, make certain it is secured in the latch stops to prevent the cover from rolling.



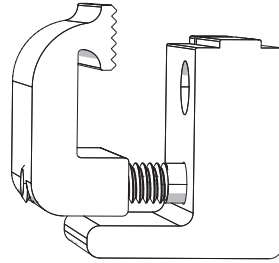
## Toyota Tundra 5.5 Ft. bed 2007-up Installation

Check the parts shown here, this model has 2 different styles of clamps and different mounting instructions.

Clamps (2) that will be used at the **TAILGATE** end of the rail in Step 8.



Clamps (2) that will be used at the **CAB** end of the rail in Step 8.



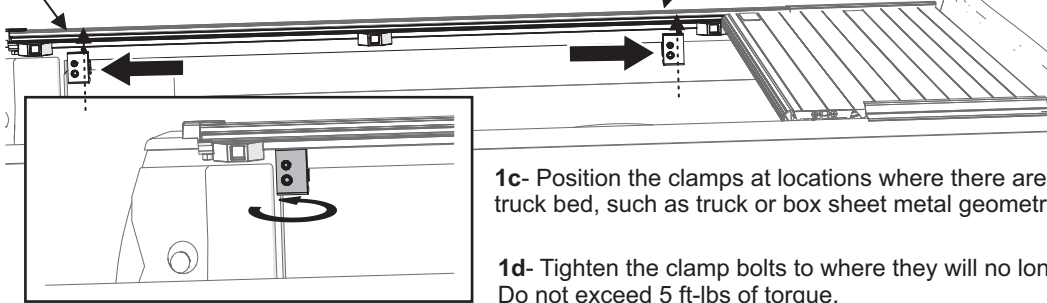
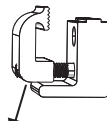
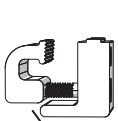
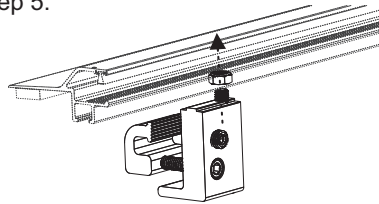
Continue with the instructions on page 2, then refer back to this page for Toyota Tundra 5.5 bed, '07-up clamp specific install steps.

### STEP 1: Install the clamps

**1a-** Locate the nylon nuts installed into the rails in Step 5.

Slide one nut as far forward toward the cab as possible, and the second as far rear toward the tailgate as possible.

**1b-** Thread the clamp bolts in to the nut. Position the clamps as close to the latch stops as possible.



**1c-** Position the clamps at locations where there are no obstructions from any parts of the truck bed, such as truck or box sheet metal geometry, plastic bed rail caps, etc.

**1d-** Tighten the clamp bolts to where they will no longer slide in the rail channel. Do not exceed 5 ft-lbs of torque.

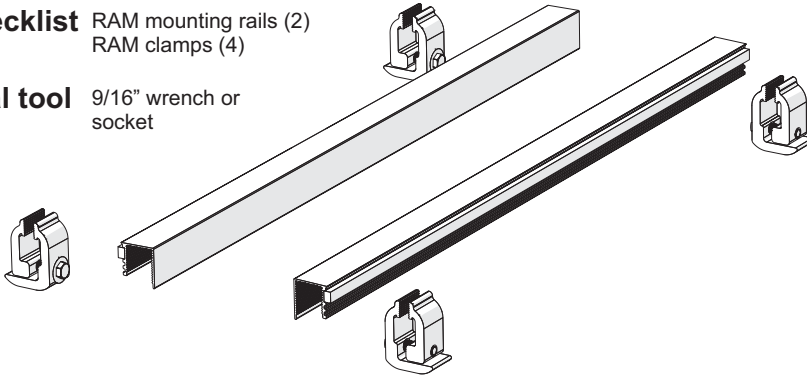
Continue with the rest of the installation instructions at Step 9, page 4.

## RAM 6.5 ft. bed ('09 - '18), 1500 Classic ('19) & 2500/3500 ('10 - '19) installation

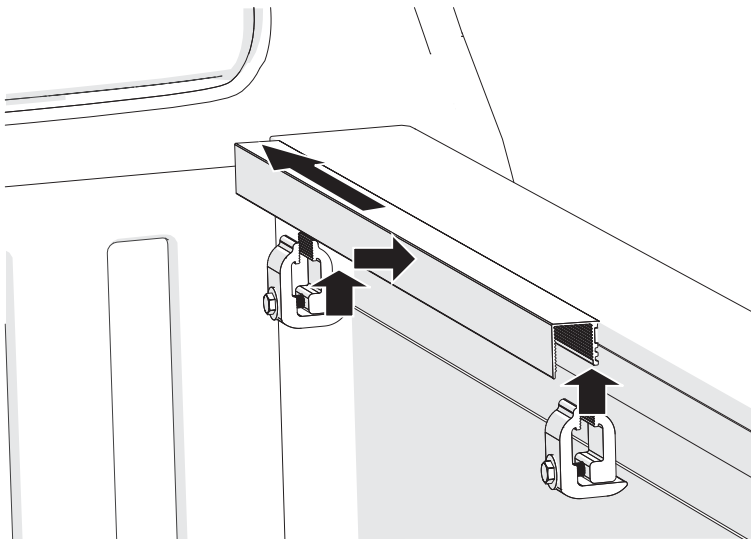
Complete steps 1 through 3 in the beginning of the manual, then refer back to this page for the specific RAM 6.5 ft bed install step.

**Parts Checklist** RAM mounting rails (2)  
RAM clamps (4)

**Additional tool** 9/16" wrench or  
socket

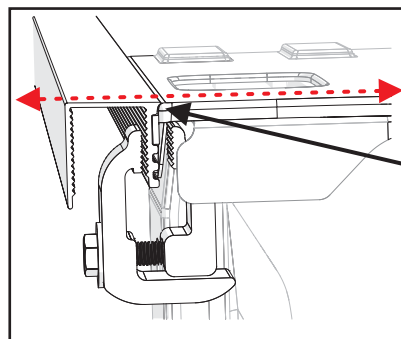


### STEP 1: Position the rails, attach the clamps



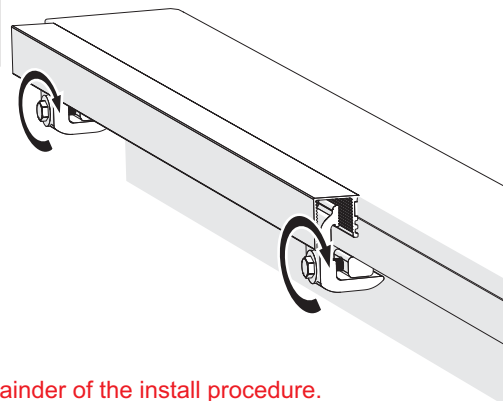
**1a-** Position the rails onto the truck bed rails.  
One on both sides.  
The rails need to be as far forward toward the front/cab as possible.  
The rail should be contacting the front wall/bulkhead.

**1b-** Install the clamps to grip the rail to the truck bed rail.  
The front/cab clamp should be as far forward as possible.  
The second/rear clamp should be within a few inches from the end of the rail.  
Tighten the clamps to hold the rail in place.



**1c-** The top of rail should be parallel with the top of the truck rail cap.  
The rail should mate up closely to the truck rail cap.  
The radius of the rail meets the radius of the truck rail cap.

With the rail properly positioned, tighten the clamps.

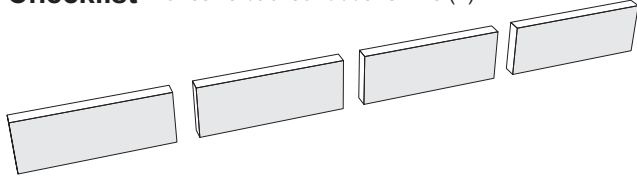


Return to Step 4, page 2, of the main installation instructions for the remainder of the install procedure.

# GMC/Chevy 1500 5.8 ft. bed and 6.4 ft. bed 1500 ('19-up) & 2500/3500 6.9 ft. HD bed ('20-up) installation

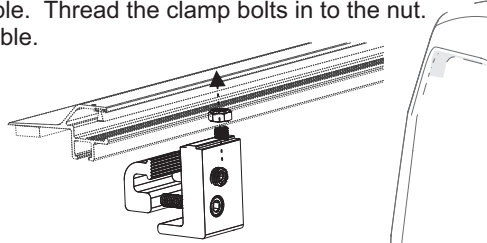
Complete steps 1 through 7 in the beginning of the manual, then refer back to this page specific '19-up GMC/Chevy 1500 installation steps.

**Parts Checklist** Adhesive backed rubber shims (4)

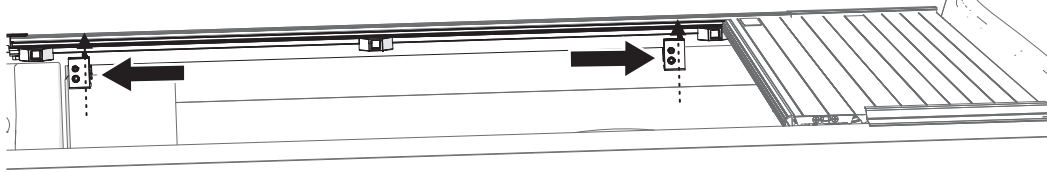


## STEP 1: Position the clamps and rubber shims

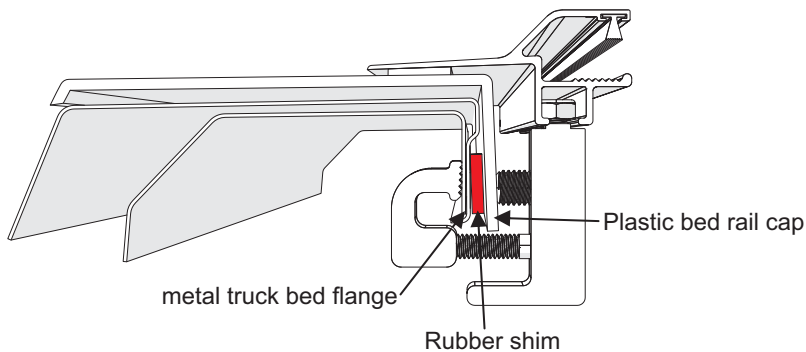
**1a-** Locate the nylon nuts installed into the rails in Step 5. Slide one nut as far forward toward the cab as possible, and the second as far rear toward the tailgate as possible. Thread the clamp bolts in to the nut. Position the clamps as close to the latch stops as possible.



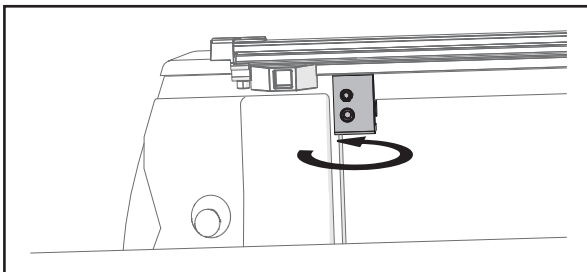
**1b-** Position the clamps at locations where there are no obstructions from any parts of the truck bed, such as truck or box sheet metal geometry, plastic bed rail caps, etc.



**1c-** Once the clamps are correctly positioned, rubber shims need to be placed between the steel flange of the truck bed and the plastic flange of the truck bed rail cap. The shims need to be placed directly behind the clamps. Peel the backing from the shim and adhere the shim to the inside of the plastic flange.



**1d-** Tighten the clamp bolts to where they will no longer slide in the rail channel. Do not exceed 5 ft-lbs of torque.



Return to Step 9, page 4, of the main installation instructions for the remainder of the install procedure.

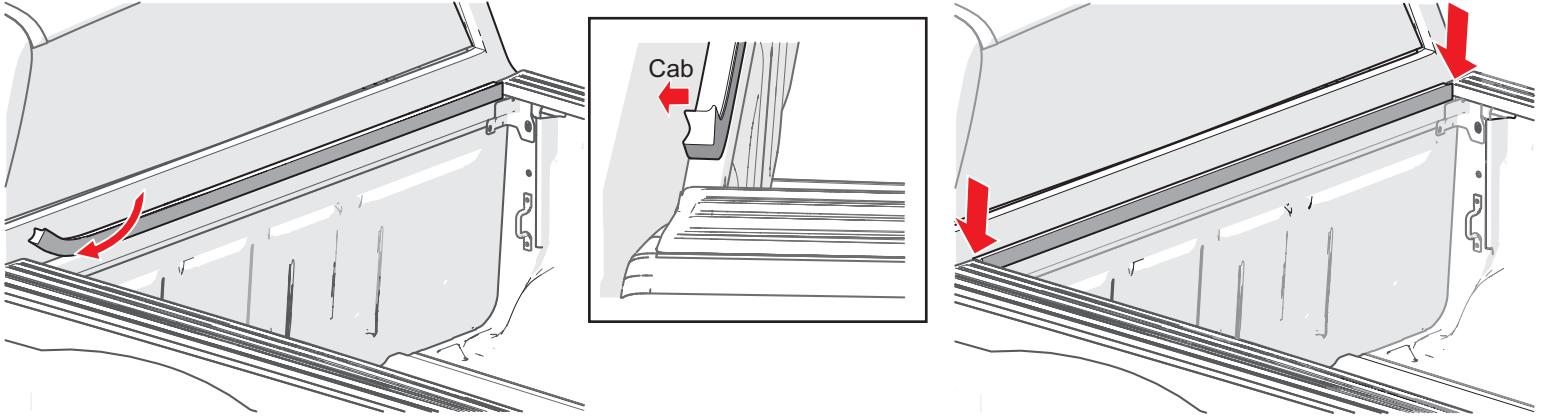


## Ford Ranger 2019-up

Complete steps 1 through 3 in the beginning of the manual, then refer back to this page for the specific Ford Ranger '19-up installation.

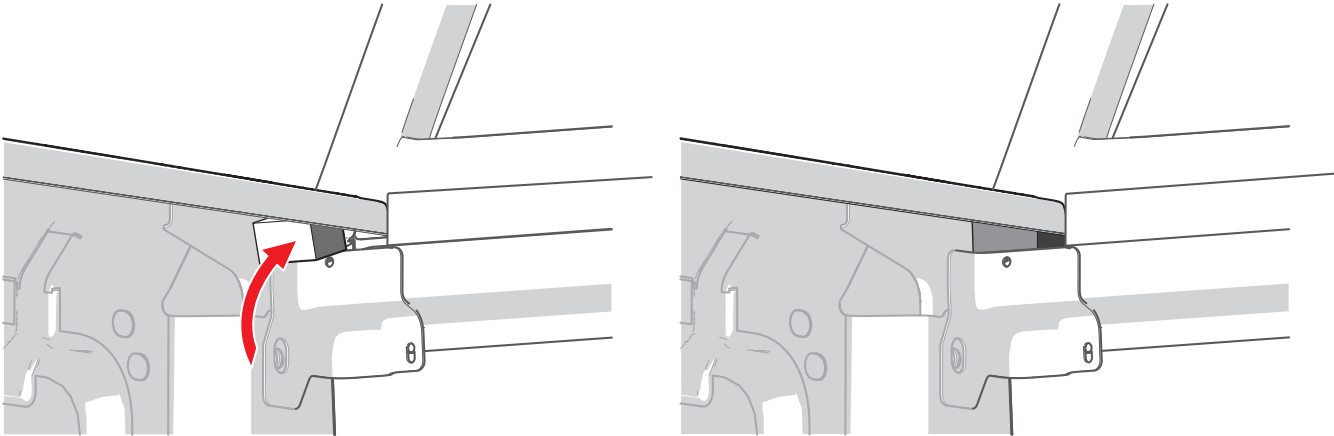
### STEP 1: Install bulkhead foam seal

Clean the top of the bed bulkhead. Peel off the paper adhesive cover and apply the foam seal to the top of the bulkhead. The seal should be oriented as shown, flush with the inside face and snug between the bed rail caps.



### STEP 2: Install the foam block seals

Clean the top of the bed bulkhead underneath the bed rail cap. Peel off the paper adhesive cover and apply the foam block seals to the top of the bulkhead and underneath the bed rail cap. There will be one foam block on each side.



### STEP 3: Plug the bulkhead face holes

Plug the small hole in the corner of the bulkhead face with the rubber sealant. Plug the holes on both sides.

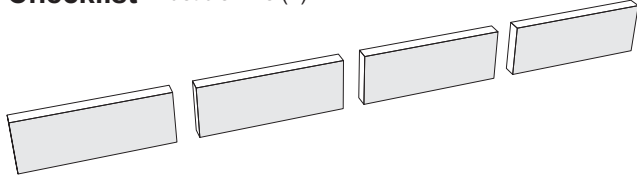


Return to Step 4, page 2, of the main installation instructions for the remainder of the install procedure.

## Ford Ranger 2019-up

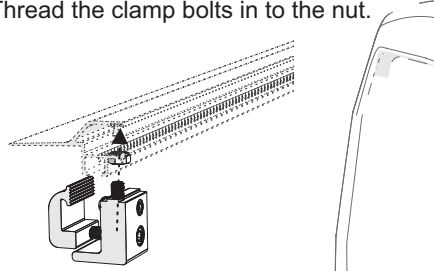
Complete steps 1 through 7 in the beginning of the manual, then refer back to this page.

### Parts Checklist Plastic shims (4)

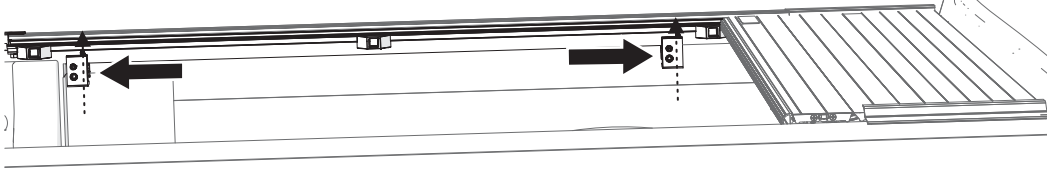


## STEP 3: Position the clamps and shims

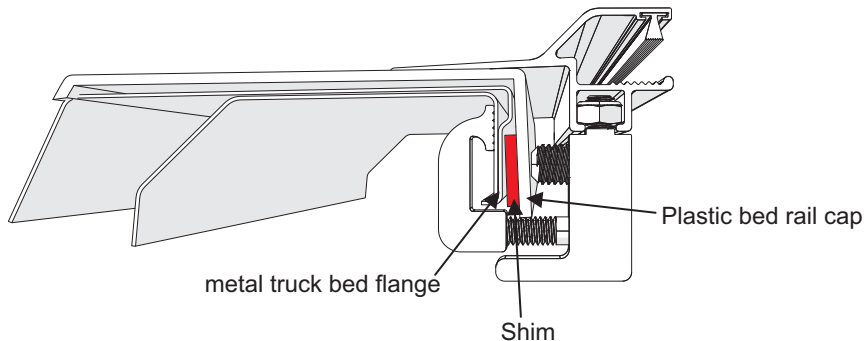
**3a-** Locate the nylon nuts installed into the rails in Step 5. Slide one nut as far forward toward the cab as possible, and the second as far rear toward the tailgate as possible. Thread the clamp bolts in to the nut. Position the clamps as close to the latch stops as possible.



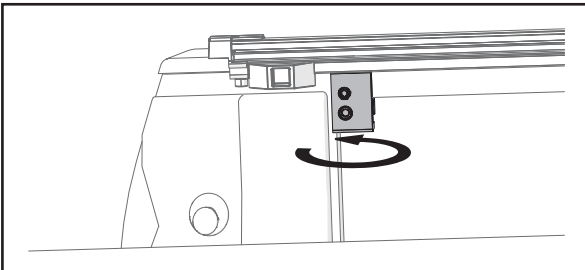
**3b-** Position the clamps at locations where there are no obstructions from any parts of the truck bed, such as truck or box sheet metal geometry, plastic bed rail caps, etc.



**3c-** Once the clamps are correctly positioned, shims need to be placed between the steel flange of the truck bed and the plastic flange of the truck bed rail cap. The shims need to be placed directly behind the clamps. Peel the backing from the shim and adhere the shim to the inside of the plastic flange.



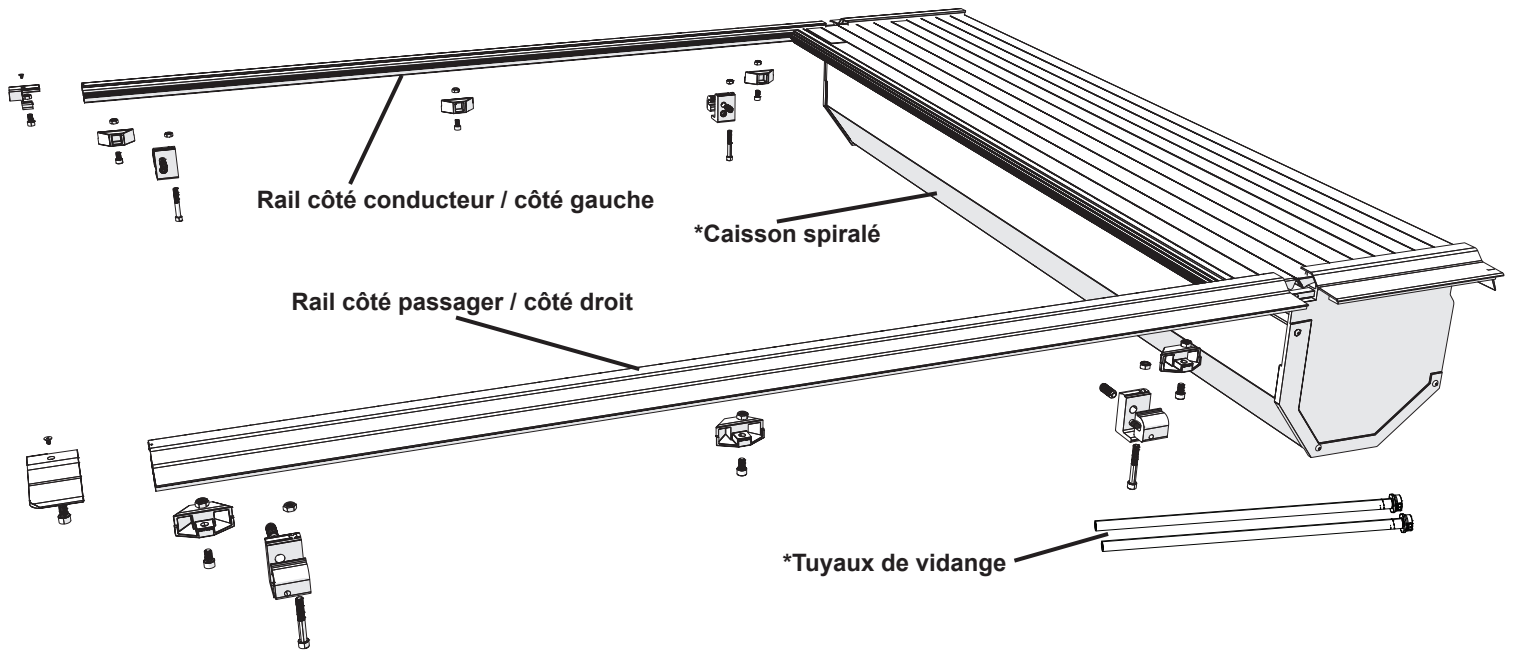
**3d-** Tighten the clamp bolts to where they will no longer slide in the rail channel. Do not exceed 5 ft-lbs of torque.



Return to Step 9, page 4, of the main installation instructions for the remainder of the install procedure.

# Couvre-caisse rétractable pour camion

Instructions d'installation et garantie



## Table des matières

**REMARQUE :** certains modèles nécessitent des étapes et des pièces spécifiques. Veuillez vérifier ci-après. Si votre modèle figure dans la liste, suivez les instructions sur cette page!!

<b>Page 1</b>	Vue éclatée, table des matières, listes de vérification des pièces, outils nécessaires
<b>Page 2</b>	Étapes 1 à 4
<b>Page 3</b>	Suite de l'étape 4, étapes 5 et 6
<b>Page 4</b>	Étapes 7, 8 et 9
<b>Page 5</b>	Étapes 10 et 11, Dernière remarque
<b>Page 6</b>	Plateau de 5,5 pi pour Toyota Tundra, à partir de 2007
<b>Page 7</b>	Plateau de 6,5 pi pour Ram modèle 1500 de 2009 à 2018 et modèles 2500/3500, de 2010 à 2019
<b>Page 8</b>	GMC/Chevy 1500, à partir de 2019; et modèles 2500/3500 HD, à partir de 2020
<b>Page 9</b>	Ford Ranger à partir de 2019
<b>Page 11</b>	Déclaration de garantie

## Liste de vérification des pièces

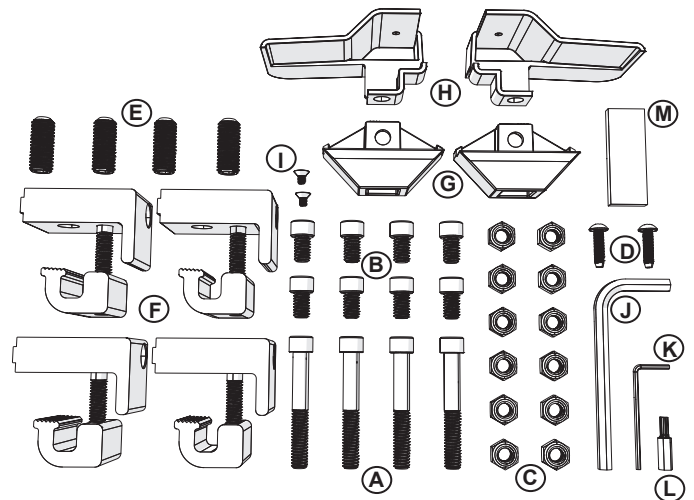
\* En plus des rails, le caisson dans son ensemble et des tubes de vidange sont fournis.

- A – (4) fixations de 5/16-18 x 1,625 po ou fixations pour GM de 5/16-18 x 2,25 po
- B – (8) fixations 5/16-18 x 0,5 po
- C – (12) contre-écrous en nylon de 5/16 po
- D – (2) vis Torx de 10-32 x 0,75 po
- E – (4) vis d'arrêt à six pans creux en nylon de 1/2-13x1,20 po
- F – (4) pinces – Peuvent varier selon le modèle de camion
- G – (6) butées de verrouillage
- H – (20) embouts de rail
- I – (2) vis de 6-32 x 0,25 po

## Outils nécessaires

x- outils non fournis

- J – Clé Allen de 6 mm
- K – Clé Allen de 5/64 po
- L – Mèche Torx T25
- M – Outil de mesure d'épaisseur de 1/8 po
- X – Ruban à mesurer
- X – Clé ou tournevis hexagonal



## Directives de préassemblage

**Veuillez lire toutes les consignes avant de monter le couvre-caisse du camion.**

Conservez les boîtes et l'emballage jusqu'à ce que l'installation soit terminée.

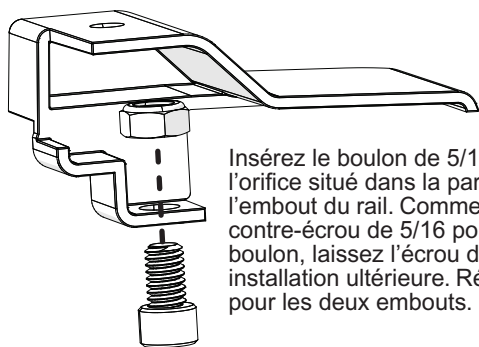
Déballer avec précaution pour éviter les égratignures.

NE PAS retirer les films protecteurs du couvre-caisse et du caisson tant que l'installation n'est pas terminée.

NE PAS UTILISER DE LUBRIFIANT OU DE PRODUIT DE MARQUE LOCTITE SUR LE COUVRE-CAISSE COULISSANT.

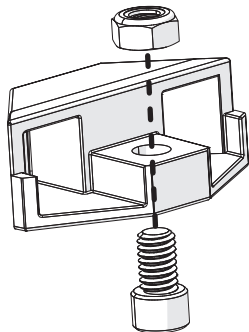
LEUR UTILISATION ANNULERA LA GARANTIE.

## ÉTAPE 1 : Montage des embouts de rail



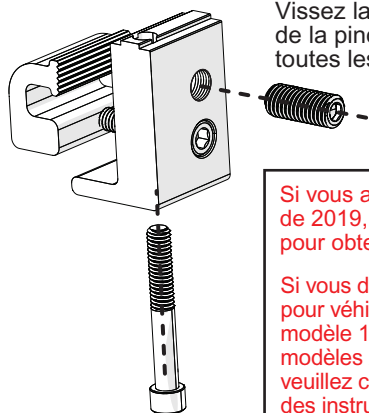
Insérez le boulon de 5/16-18 x 0,50 po dans l'orifice situé dans la partie inférieure de l'embout du rail. Commencez par visser le contre-écrou de 5/16 po en nylon sur le boulon, laissez l'écrou desserré pour une installation ultérieure. Répétez l'opération pour les deux embouts.

## ÉTAPE 2 : Installation des butées de verrouillage



Insérez le boulon de 5/16-18 x 0,50 po dans l'orifice situé dans la partie inférieure de la butée de verrouillage. Commencez par visser le contre-écrou de 5/16 po en nylon sur le boulon, laissez l'écrou desserré pour une installation ultérieure. Répétez l'opération pour toutes les butées de verrouillage.

## ÉTAPE 3 : Montage des pinces



Vissez la vis d'arrêt en nylon sur le côté de la pince. Répétez l'opération pour toutes les pinces.

Si vous avez un Ford Ranger à partir de 2019, veuillez consulter la page 9 pour obtenir des instructions d'installation.

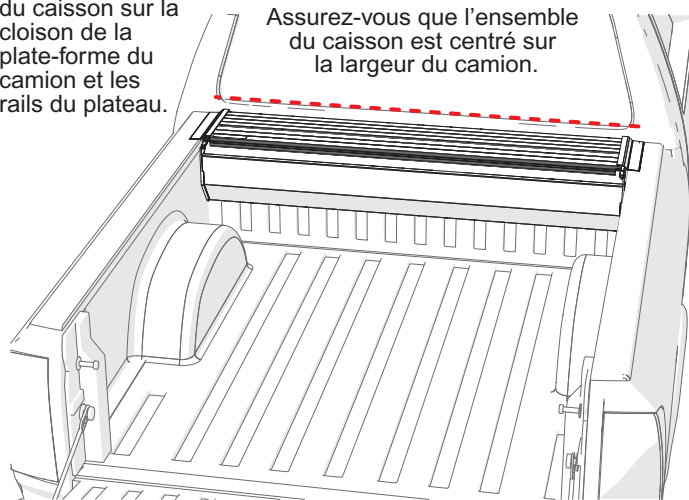
Si vous disposez d'un plateau de 6,5 pi pour véhicule RAM (de 2009 à 2018), de modèle 1500 Classic (de 2019) et de modèles 2500/3500 (de 2010 à 2019), veuillez consulter la page 7 pour obtenir des instructions d'installation spécifiques.

Vissez le boulon de 5/16-18 x 1,625 po ou le boulon de 5/16-18 x 2,25 po pour le GM sur la partie inférieure de la pince. Répétez l'opération pour toutes les pinces.

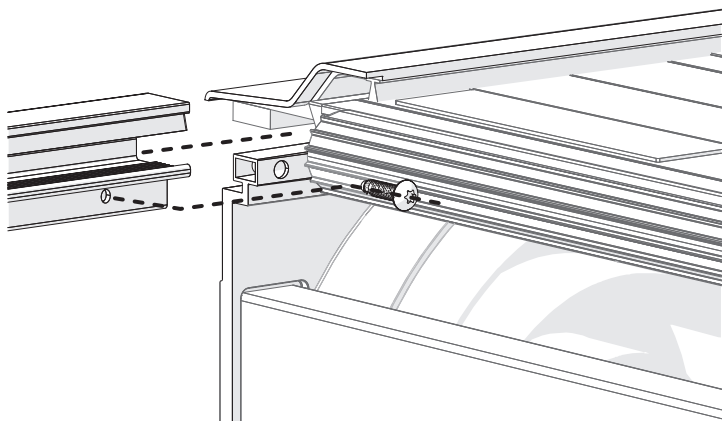
## ÉTAPE 4 : Installation du couvre-caisse sur la plate-forme du camion

Placez l'ensemble du caisson sur la cloison de la plate-forme du camion et les rails du plateau.

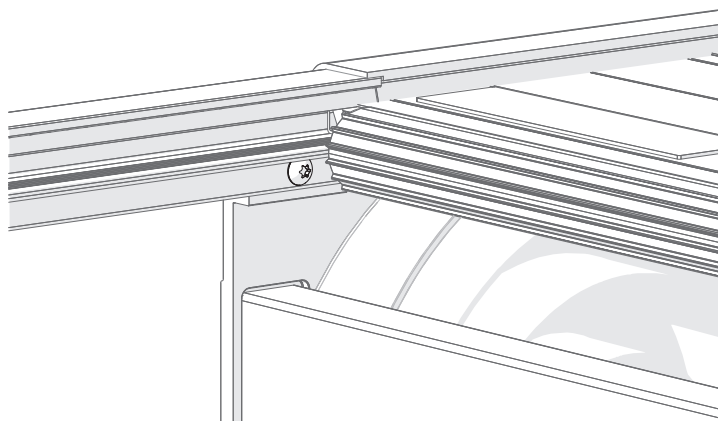
Assurez-vous que l'ensemble du caisson est centré sur la largeur du camion.



## ÉTAPE 4 : Installation du couvre-caisse sur la plate-forme du camion

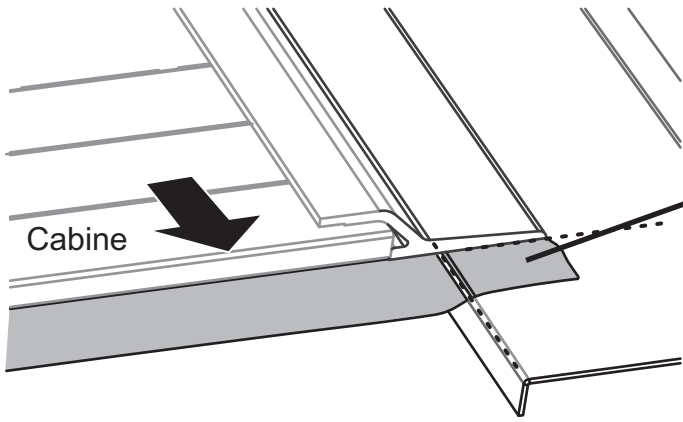


Faites glisser les rails dans les languettes du caisson et alignez l'orifice du rail avec l'orifice de la languette du caisson. Insérez la vis Torx de 10-32 x 0,75 po et serrez les vis pour les encastrer et toucher la surface du rail.

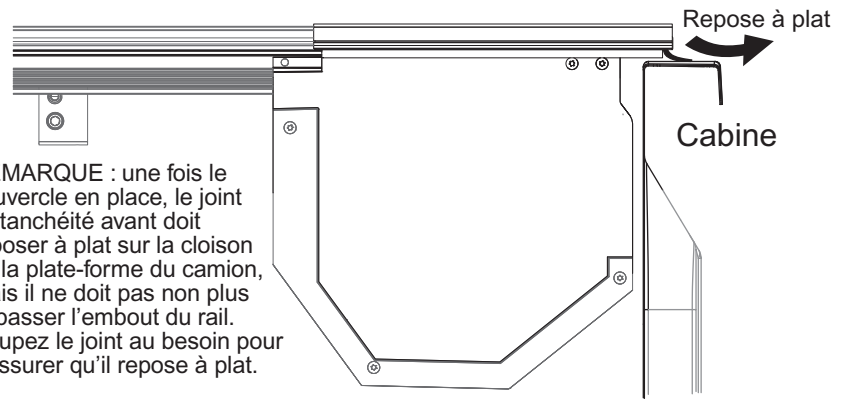


La tête des vis dépasse légèrement l'orifice situé à l'arrière du rail. Serrez complètement à l'aide de la mèche Torx T25. Remarque : la fixation sera serrée et nécessitera l'exercice de la force lors de l'installation en raison de la fonction autotaraudeuse de la mèche.

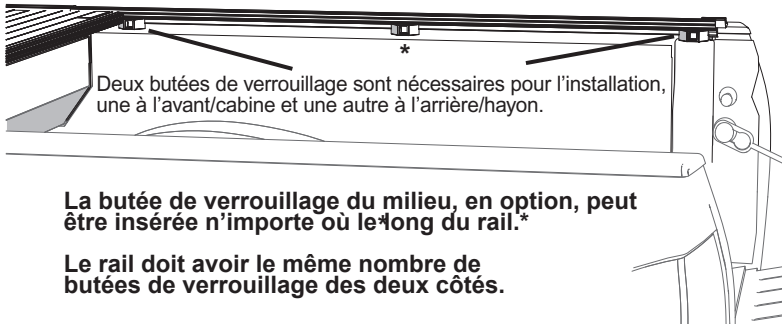
## ÉTAPE 4 : Installation du couvre-caisse sur la plate-forme du camion



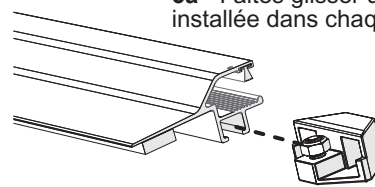
REMARQUE : une fois le couvercle en place, le joint d'étanchéité avant doit reposer à plat sur la cloison de la plate-forme du camion, mais il ne doit pas non plus dépasser l'embout du rail. Coupez le joint au besoin pour s'assurer qu'il repose à plat.



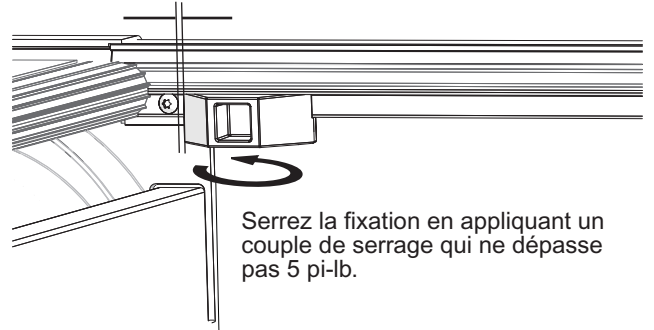
## ÉTAPE 5 : Insertion des butées de verrouillage



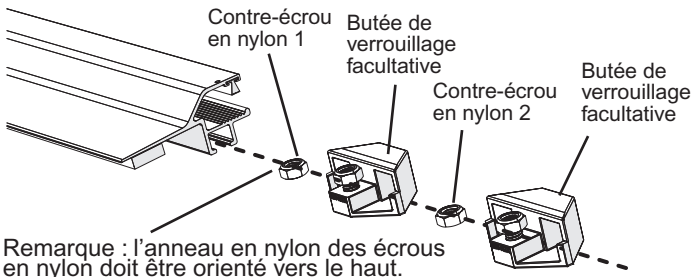
5a - Faites glisser une butée de verrouillage installée dans chaque rail latéral.



Placez la première butée vers l'avant, en direction de la cabine, à 1/16 po (1,6 mm) de la fixation du rail.

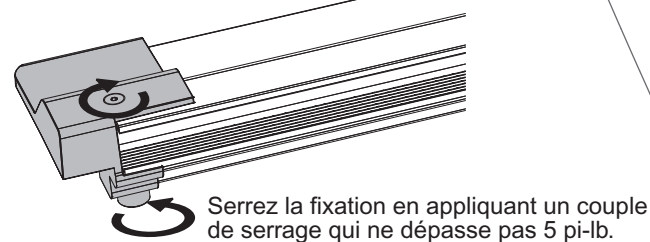
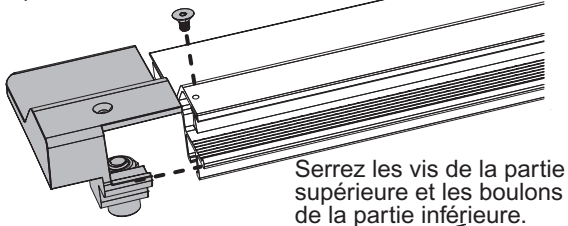


5b- Après le verrouillage de la butée avant/cabine, faites glisser les butées restantes avec les écrous de serrage dans l'ordre indiqué. Elles seront positionnées à une étape ultérieure.

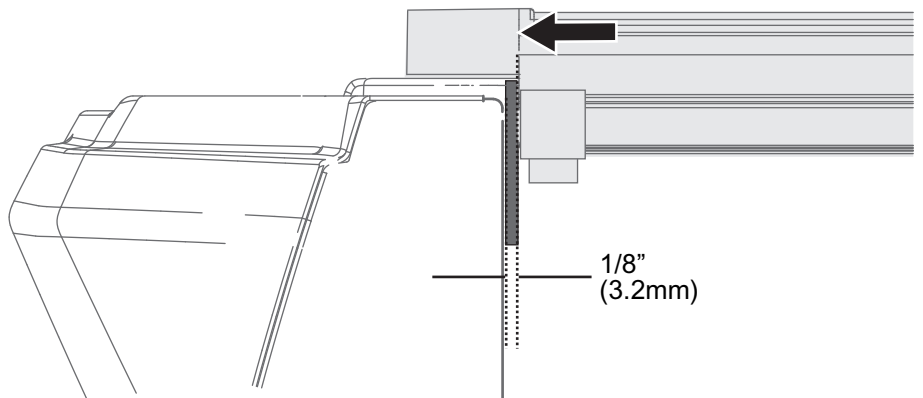


## ÉTAPE 6 : Fixation des embouts de rail et positionnement du couvre-caisse

6a- Faites glisser les embouts de rail vers l'extrémité de chaque rail. Vissez la vis sur la partie supérieure et dans le rail.

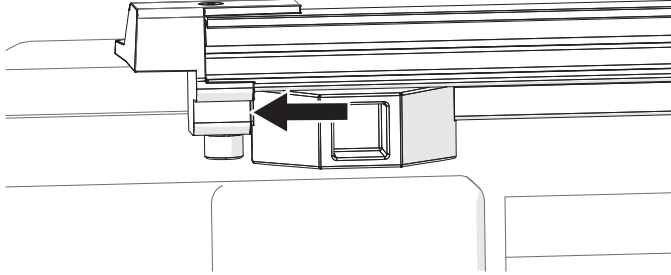


6B- Reculez le couvre-caisse vers le hayon et utilisez l'entretoise de 1/8 po pour positionner les deux rails à 1/8 po (3,2 mm) du hayon.



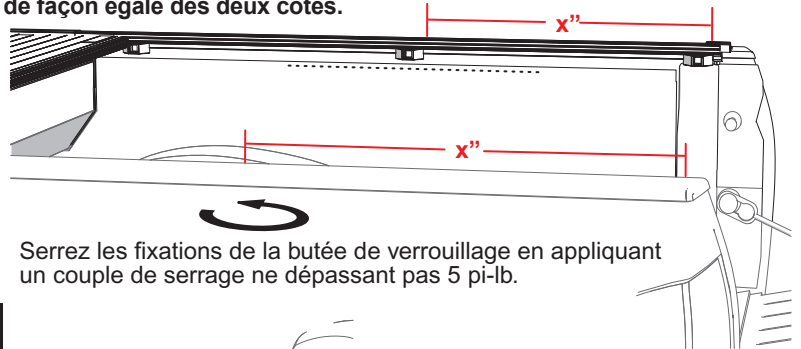
## ÉTAPE 7 : Positionnement des butées de verrouillage facultatives arrières / du hayon

**7a-** Positionnez la butée de verrouillage arrière / du hayon de sorte qu'elle repose contre l'embout du rail.



**7b-** Des butées de verrouillage facultatives peuvent être placées n'importe où le long du rail.

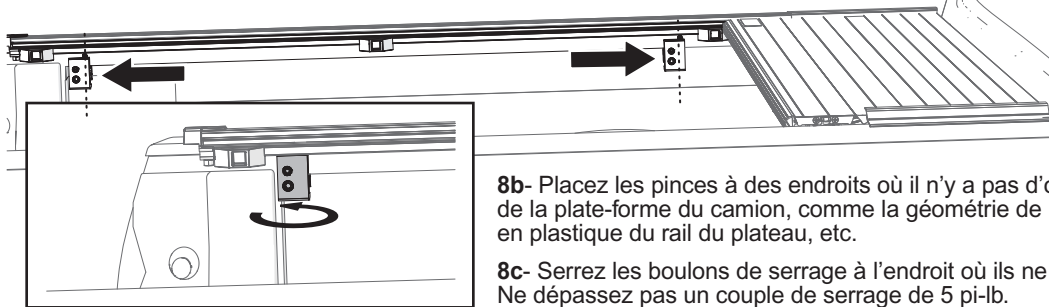
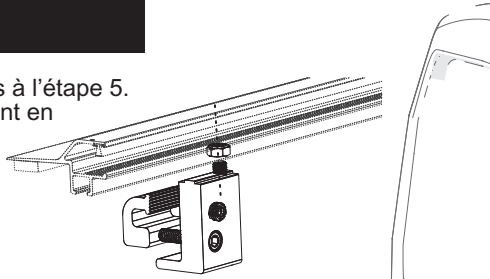
Le rail doit avoir le même nombre de butées de verrouillage des deux côtés. Il est aussi essentiel que les butées de verrouillage soient positionnées de façon égale des deux côtés.



Serrez les fixations de la butée de verrouillage en appliquant un couple de serrage ne dépassant pas 5 pi-lb.

## ÉTAPE 8 : Installation des pinces

**8a-** Placez les écrous en nylon installés dans les rails à l'étape 5. Faites glisser un écrou le plus loin possible vers l'avant en direction de la cabine, et le deuxième le plus loin possible vers l'arrière en direction du hayon. Vissez les boulons de serrage sur l'écrou. Placez les pinces le plus près possible des butées de verrouillage.



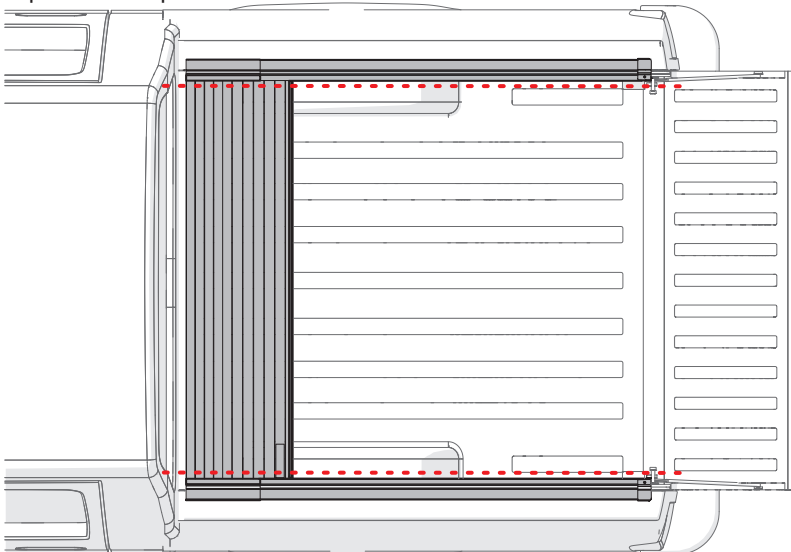
**8b-** Placez les pinces à des endroits où il n'y a pas d'obstacles provenant d'une partie quelconque de la plate-forme du camion, comme la géométrie de la tôle du camion ou de la caisse, les embouts en plastique du rail du plateau, etc.

**8c-** Serrez les boulons de serrage à l'endroit où ils ne glisseront plus dans le canal du rail. Ne dépassez pas un couple de serrage de 5 pi-lb.

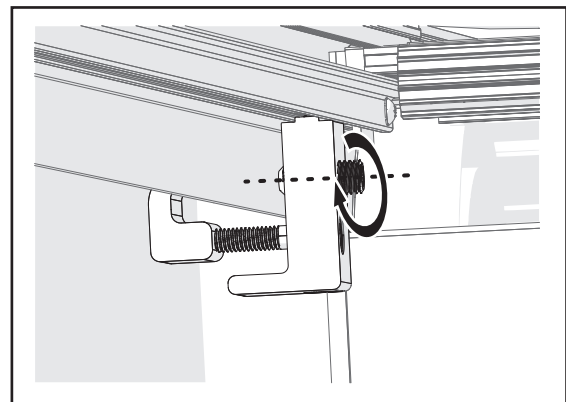
**Si vous avez un véhicule Toyota Tundra à partir de 2007, veuillez consulter la page 6 pour obtenir des instructions d'installation.**  
**Si vous avez un GMC/Chevy à partir de 2019, veuillez consulter la page 8 pour obtenir des instructions d'installation.**  
**Si vous avez un Ford Ranger à partir de 2019, veuillez consulter la page 11 pour obtenir des instructions d'installation.**

## ÉTAPE 9 : Alignement des rails

**9a-** Alignez les rails du couvre-caisse avec la section du rail spiralée afin qu'ils soient droits.



**9b-** Tournez chaque vis d'arrêt en nylon dans chaque pince jusqu'à ce qu'elle entre en contact avec le rail de la plate-forme du camion.

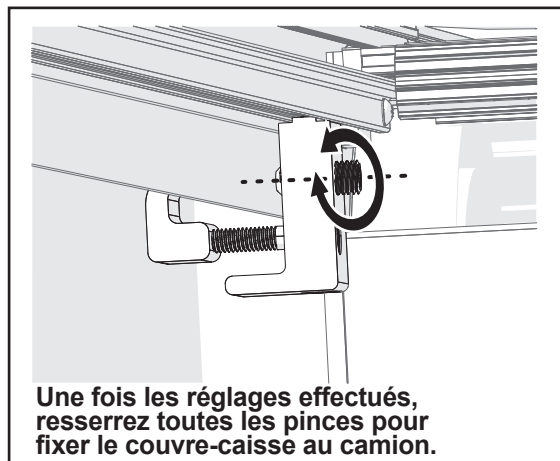
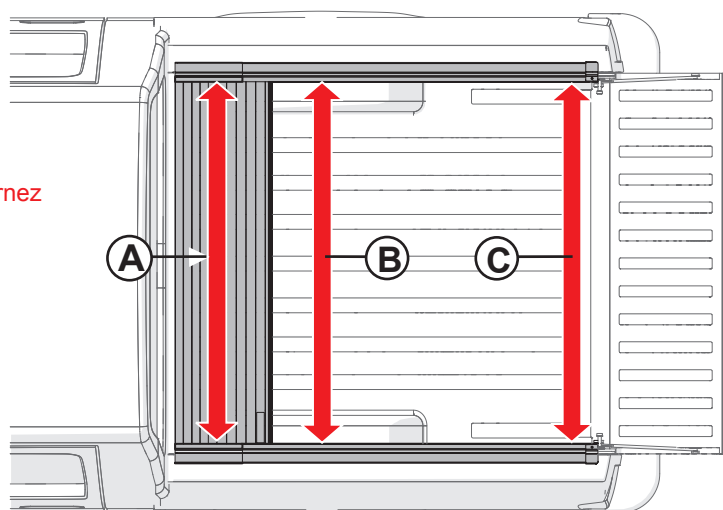


## ÉTAPE 10 : Mesure et réglage de la position des rails

**10a-** Mesurez la distance au point A (sur le dessus de la partie avant du couvre-caisse)..

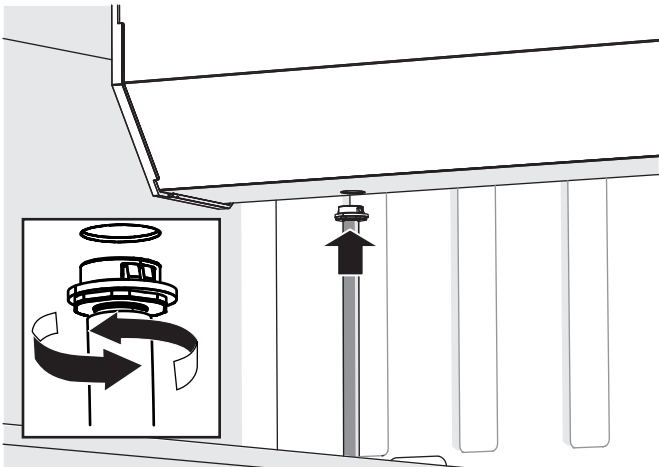
**10b-** Mesurez ensuite la distance aux points B et C (au-dessus de chaque pince). Ils doivent mesurer la même distance, à 1/16 po près, qu'au point A.

**10c-** Si des réglages doivent être effectués, desserrez la pince et tournez la vis d'arrêt en nylon jusqu'à ce que les rails soient parallèles.

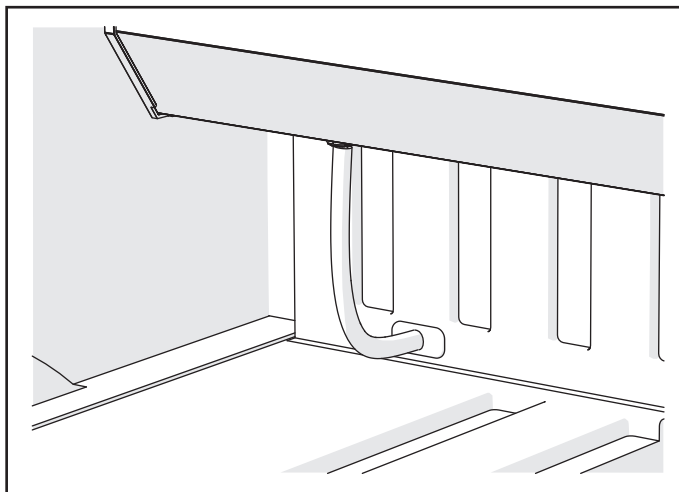


## ÉTAPE 11 : Installation des tuyaux de vidange

**11a-** Insérez le tuyau de vidange dans le caisson de chaque côté, tournez vers la droite, dans le sens des aiguilles d'une montre, le raccord cliquera deux fois lorsqu'il est fixé.

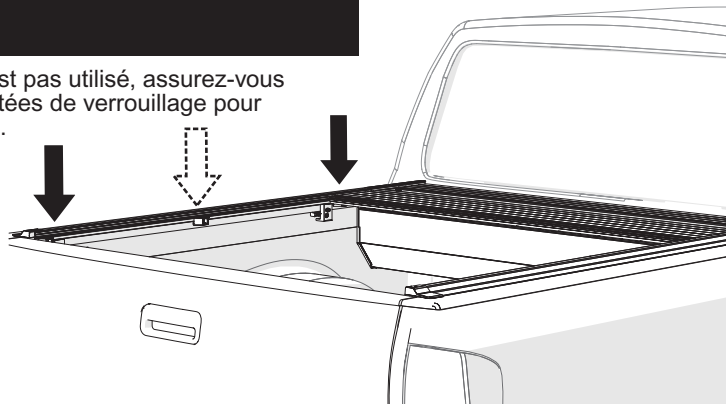


**11b-** En général, les tuyaux de vidange sont acheminés vers une ouverture aménagée à cet effet à l'usine pour les évacuations. Sinon, une ouverture appropriée doit être utilisée. Une nouvelle ouverture peut également être percée en prenant de grandes précautions quant aux lignes et à tout ce qui se trouve derrière l'endroit où le trou est percé.



## Dernière remarque

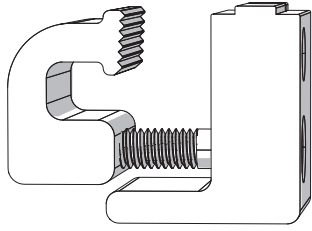
Lorsque le couvre-caisse n'est pas utilisé, assurez-vous qu'il est bien fixé dans les butées de verrouillage pour empêcher qu'il ne se déroule.



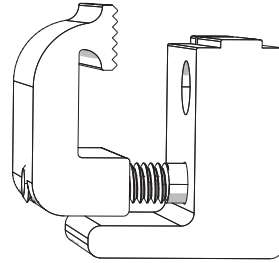
## Installation du couvre-caisse de 5,5 pi pour Toyota Tundra à partir de 2007

Vérifiez les pièces illustrées ici; le présent modèle comporte 2 styles de pinces différents et des instructions de montage différentes.

Pinces (2) qui seront utilisées à l'extrémité **HAYON** du rail à l'étape 8.



Pinces (2) qui seront utilisées à l'extrémité **CABINE** du rail à l'étape 8.

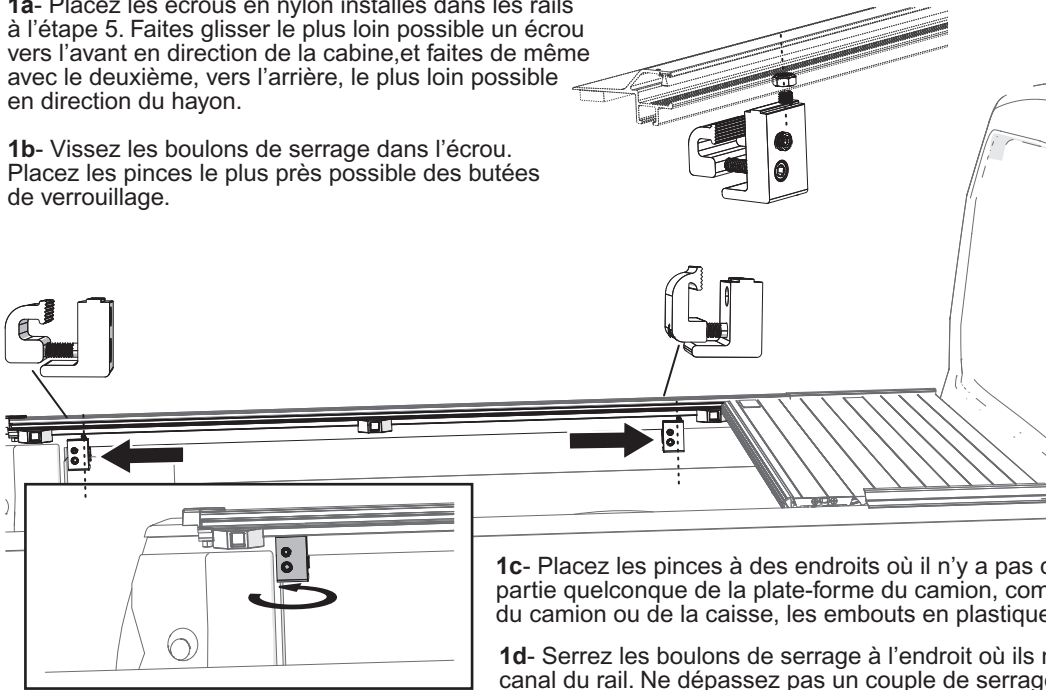


Poursuivez la lecture des instructions de la page 2, puis revenez à cette page pour découvrir les étapes d'installation spécifiques à l'utilisation des pinces pour le couvre-caisse de 5 pi du véhicule Toyota Tundra à partir de 2007.

### ÉTAPE 1 : Installation des pinces

**1a-** Placez les écrous en nylon installés dans les rails à l'étape 5. Faites glisser le plus loin possible un écrou vers l'avant en direction de la cabine, et faites de même avec le deuxième, vers l'arrière, le plus loin possible en direction du hayon.

**1b-** Vissez les boulons de serrage dans l'écrou. Placez les pinces le plus près possible des butées de verrouillage.



**1c-** Placez les pinces à des endroits où il n'y a pas d'obstacles provenant d'une partie quelconque de la plate-forme du camion, comme la géométrie de la tôle du camion ou de la caisse, les embouts en plastique du rail du plateau, etc.

**1d-** Serrez les boulons de serrage à l'endroit où ils ne glisseront plus dans le canal du rail. Ne dépassez pas un couple de serrage de 5 lb-pi.

Lisez la suite des instructions d'installation à l'étape 9, page 4



# Installation d'un couvre-caisse de 6,5 pi pour RAM (2009 - 2018), modèle 1500 Classic (2019) et modèles 2500/3500 (de 2010 à 2019)

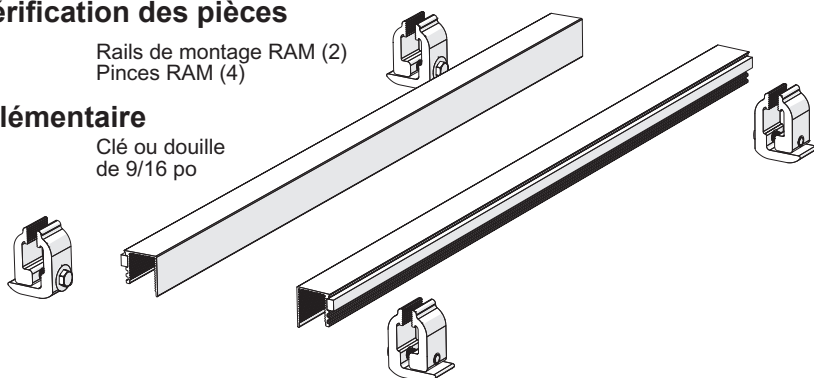
Effectuez les étapes 1 à 3 du début du manuel, puis revenez à cette page pour l'étape d'installation spécifique du couvre-caisse de 6,5 pi.

## Liste de vérification des pièces

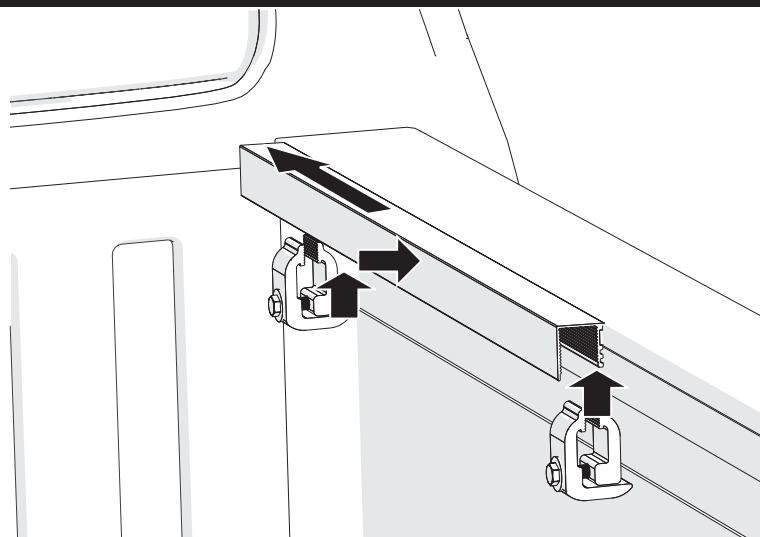
Rails de montage RAM (2)  
Pinces RAM (4)

## Outil supplémentaire

Clé ou douille  
de 9/16 po

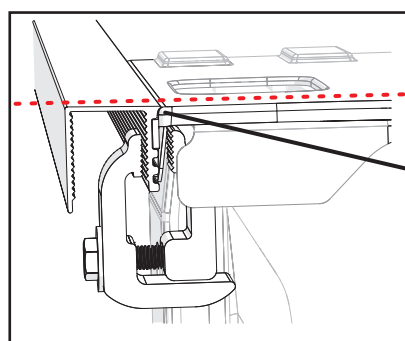


## ÉTAPE 1 : Positionnement des rails et fixation des pinces



**1a-** Placez les rails au niveau de la plate-forme du camion. Un rail de chacun des deux côtés. Les rails doivent se trouver le plus loin possible vers l'avant/la cabine. Le rail doit être en contact avec la paroi/la cloison avant.

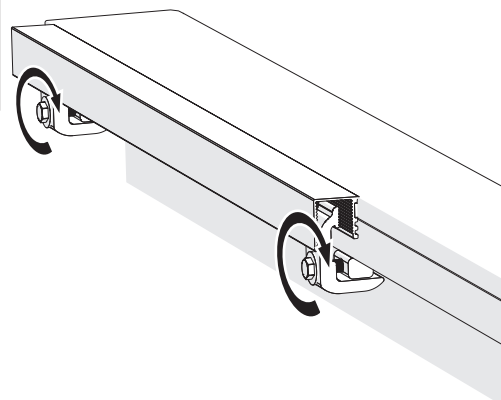
**1b-** Installez les pinces pour fixer le rail au niveau de la plate-forme du camion. La pince avant/cabine doit être le plus à l'avant possible. La deuxième pince / pince arrière doit se trouver à quelques centimètres près de l'extrémité du rail. Serrez les pinces pour maintenir le rail en place.



**1c-** La partie supérieure du rail doit être parallèle à la partie supérieure de l'embout du rail du camion.

Le rail doit être à proximité de l'embout du rail du camion. Le rayon du rail correspond au rayon de l'embout du rail du camion.

Une fois le rail correctement positionné, serrez les pinces.



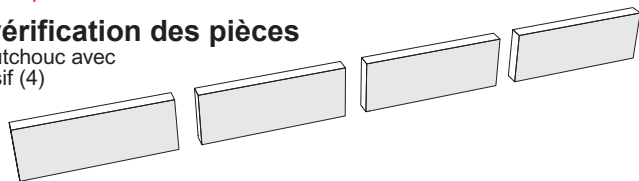
Revenez à l'étape 4, page 2, pour découvrir les principales instructions d'installation relatives au reste de la procédure d'installation.

## Installation d'un couvre-caisse de 5,8 pi pour GMC/Chevy, d'un couvre-caisse de 6,4 pi pour modèle 1500 (à partir de 2019) et d'un couvre-caisse HD de 6,9 pi pour modèles 2500/3500 (à partir de 2020)

Effectuez les étapes 1 à 7 du début du manuel, puis revenez à la page consacrée aux étapes d'installation spécifiques du GMC/Chevrolet modèle 1500 à partir de 2019.

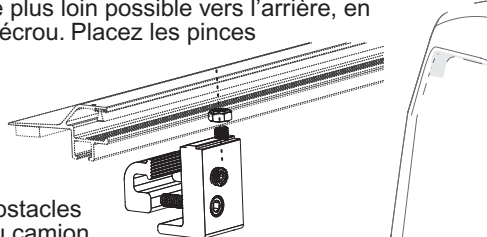
### Liste de vérification des pièces

Cales en caoutchouc avec support adhésif (4)

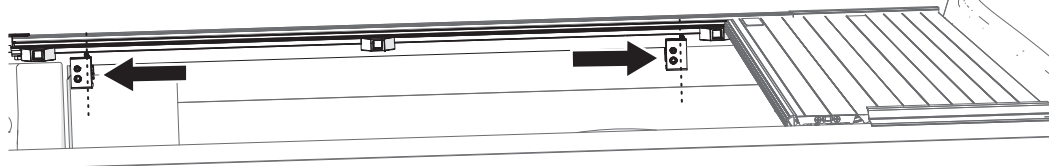


## ÉTAPE 1 : Positionnement des pinces et des cales en caoutchouc

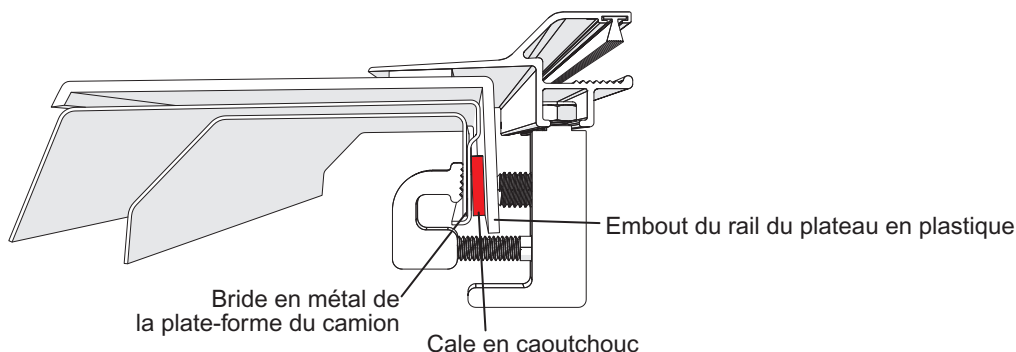
**1a-** Placez les écrous en nylon installés dans les rails à l'étape 5. Faites glisser un écrou le plus loin possible vers l'avant, en direction de la cabine, et le deuxième le plus loin possible vers l'arrière, en direction du hayon. Vissez les boulons de serrage sur l'écrou. Placez les pinces le plus près possible des butées de verrouillage.



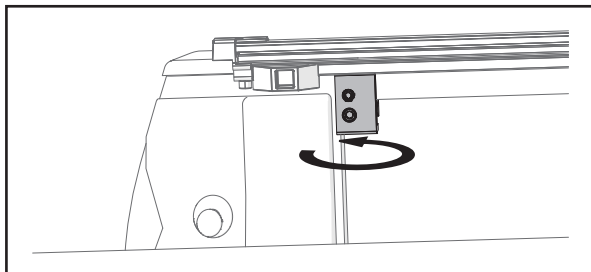
**1b-** Placez les pinces à des endroits où il n'y a pas d'obstacles provenant d'une partie quelconque de la plate-forme du camion, comme la géométrie de la tôle du camion ou de la caisse, les embouts en plastique du rail du plateau, etc.



**1c-** Une fois les pinces correctement positionnées, des cales en caoutchouc doivent être placées entre la bride en acier de la plate-forme du camion et la bride en plastique de l'embout du rail de la plate-forme du camion. Les cales doivent être placées directement derrière les pinces. Détachez le support de la cale et collez la cale à l'intérieur de la bride en plastique.



**1d-** Serrez les boulons de serrage à l'endroit où ils ne glisseront plus dans le canal du rail. Ne dépassez pas un couple de serrage de 5 pi-lb.



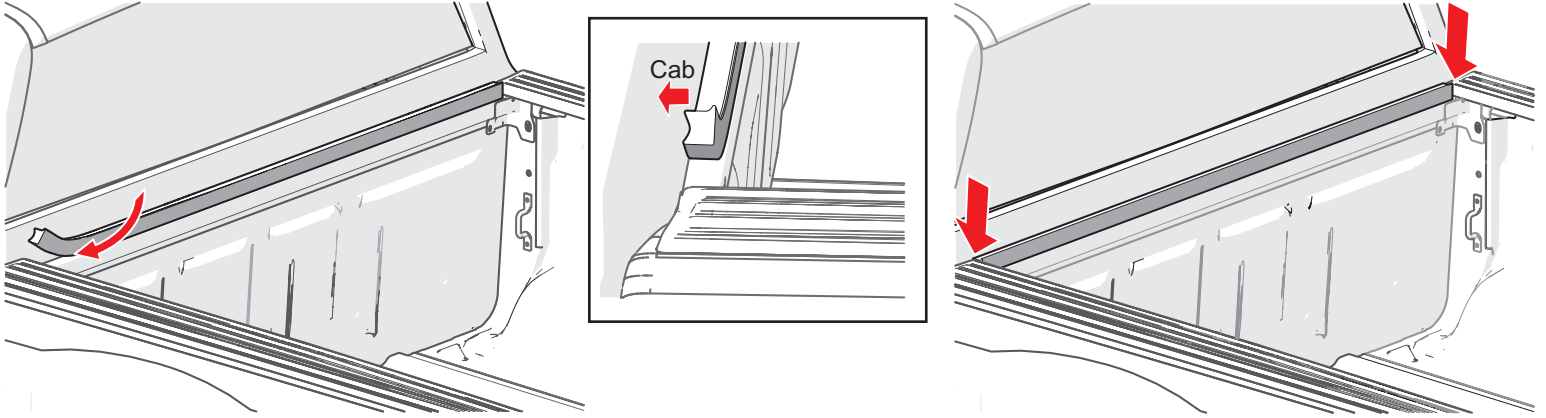
Revenez à l'étape 9, page 4, pour découvrir les principales instructions d'installation relatives au reste de la procédure d'installation.

## Ford Ranger à partir de 2019

Effectuez les étapes 1 à 3 du début du manuel, puis revenez à cette page pour obtenir les instructions d'installation spécifiques au véhicule Ford Ranger, à partir de 2019.

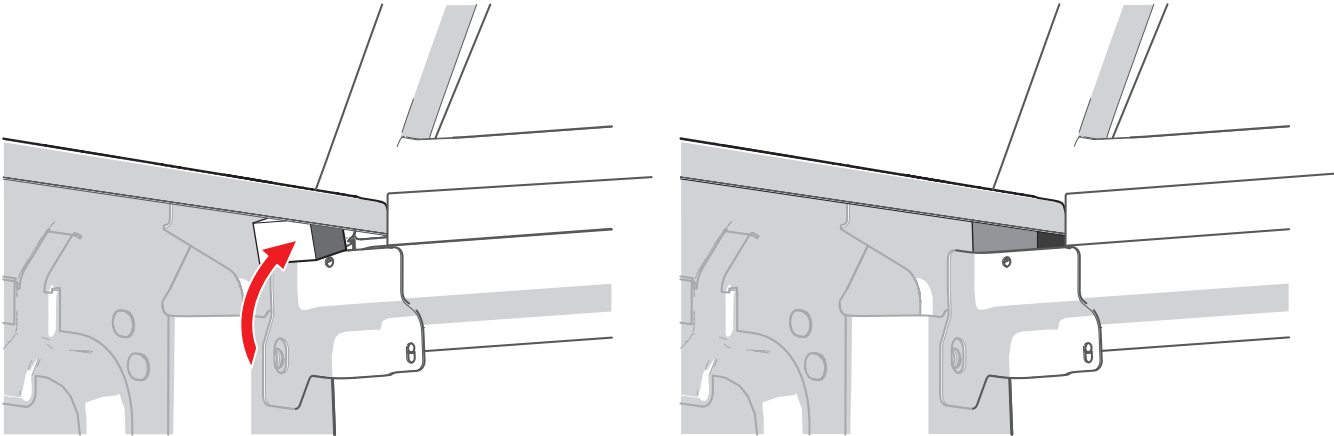
### ÉTAPE 1 : Installation du joint de la cloison en mousse

Nettoyez la partie supérieure de la cloison du plateau. Détachez le couvercle adhésif en papier et appliquez le joint en mousse sur la partie supérieure de la cloison. Le joint doit être orienté comme indiqué, à ras de la face intérieure, et bien ajusté, entre les protections de rail du plateau.



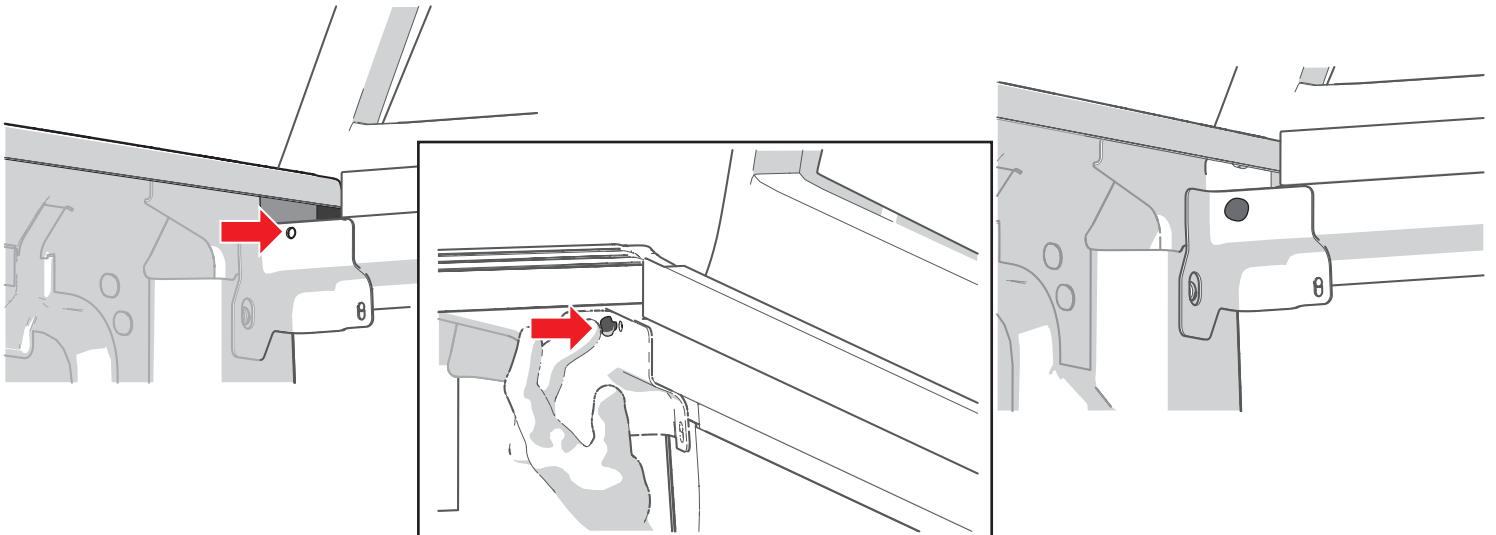
### ÉTAPE 2 : Installation des joints pour blocs en mousse

Nettoyez la partie supérieure de la cloison du plateau sous l'embout du rail du plateau. Détachez le cache adhésif en papier et appliquez les joints pour blocs en mousse sur le dessus de la cloison et sous l'embout du plateau du camion. Il y aura un bloc en mousse de chaque côté.



### ÉTAPE 3 : Fermeture des entrées des orifices de la cloison

Bouchez l'orifice de la cloison avec le produit d'étanchéité en caoutchouc. Bouchez les orifices des deux côtés.



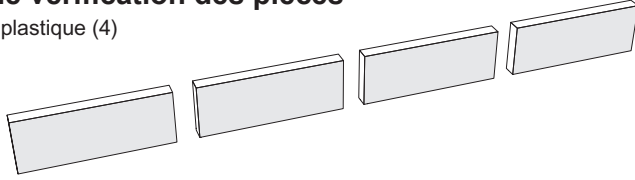
Revenez à l'étape 4, page 2, pour découvrir les principales instructions d'installation relatives au reste de la procédure d'installation.

## Ford Ranger à partir de 2019

Effectuez les étapes 1 à 7 du début du manuel, puis revenez à cette page.

### Liste de vérification des pièces

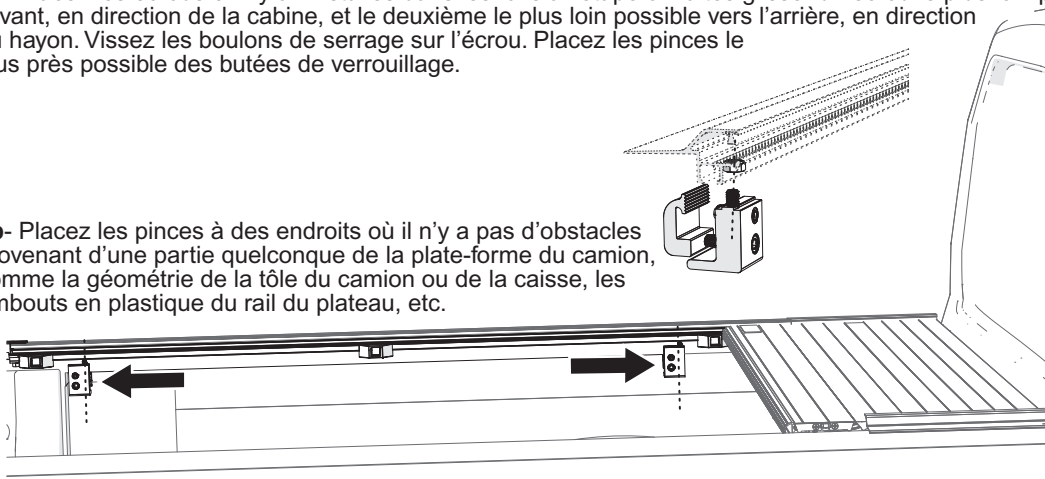
Cales en plastique (4)



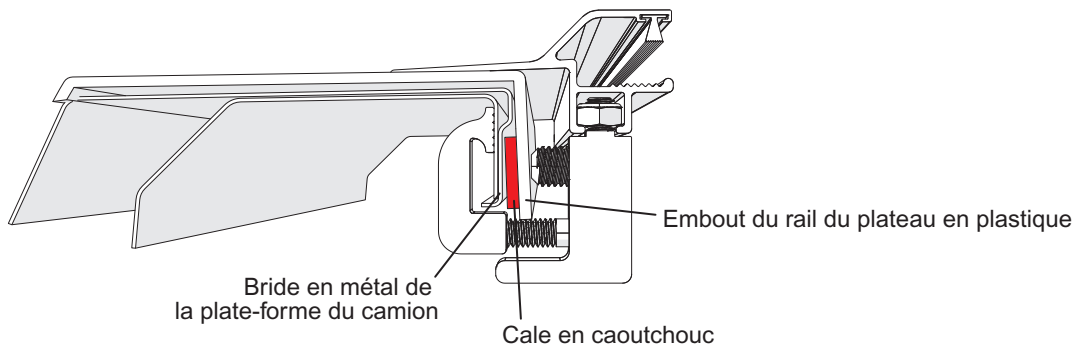
## ÉTAPE 3 : Positionnement des pinces et des cales

**3a-** Placez les écrous en nylon installés dans les rails à l'étape 5. Faites glisser un écrou le plus loin possible vers l'avant, en direction de la cabine, et le deuxième le plus loin possible vers l'arrière, en direction du hayon. Vissez les boulons de serrage sur l'écrou. Placez les pinces le plus près possible des butées de verrouillage.

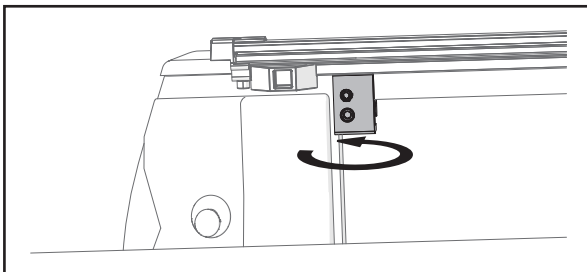
**3b-** Placez les pinces à des endroits où il n'y a pas d'obstacles provenant d'une partie quelconque de la plate-forme du camion, comme la géométrie de la tôle du camion ou de la caisse, les embouts en plastique du rail du plateau, etc.



**3c-** Une fois les pinces correctement positionnées, les cales doivent être placées entre la bride en acier du couvre-caisse pour camion et la bride en plastique de l'embout du rail de la plate-forme du camion. Les cales doivent être placées directement derrière les pinces. Détachez le support de la cale et collez la cale à l'intérieur de la bride en plastique.



**3d-** Serrez les boulons de serrage à l'endroit où ils ne glisseront plus dans le canal du rail. Ne dépassez pas un couple de serrage de 5 pi-lb



Revenez à l'étape 9, page 4, pour découvrir les principales instructions d'installation relatives au reste de la procédure d'installation.